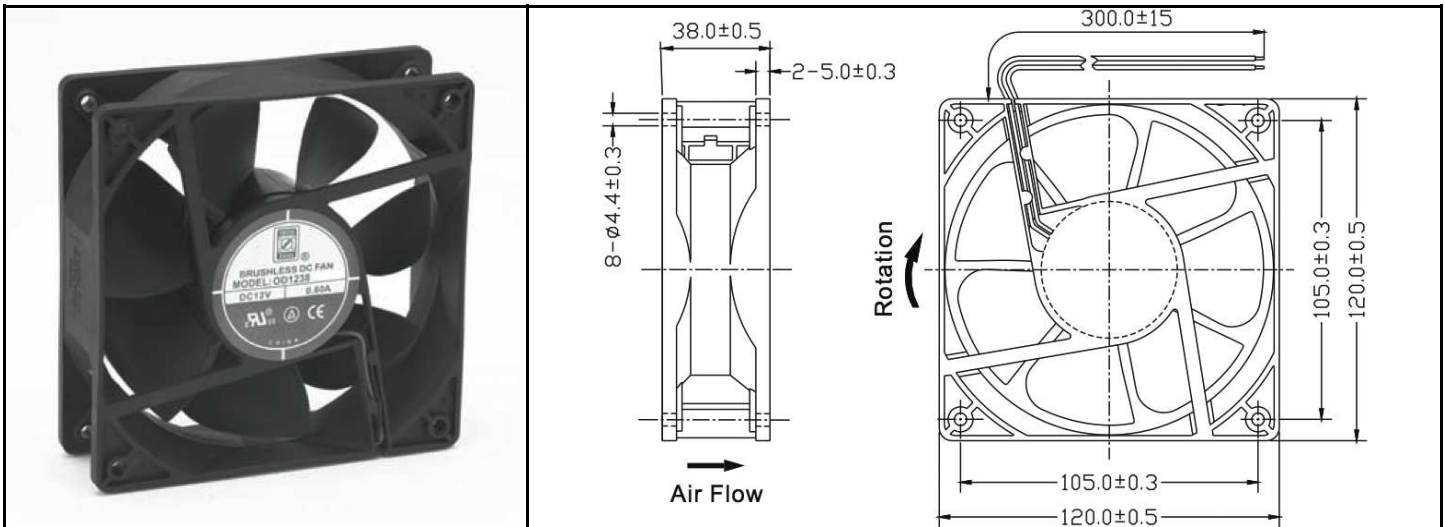


OD1238 Series



DC Fan - Super High Speed
120x38mm (4.7"x 1.5")



| | | | |
|-----------------------|--|--|--|
| Frame & Impeller | PBT, UL94V-O plastic | Available Options: Tachometer (Frequency Generator) Alarm (Rotation Detector) Thermistor (Thermal Speed Control) Sleeve Bearing IP55 Salt Fog | |
| Connection | 2x Lead wires 22AWG | | |
| Motor | Brushless DC, auto restart, impedance and polarity protected | | |
| Bearing System | Dual ball bearing | | |
| Insulation Resistance | 10M ohm between leadwire and frame (500VDC) | | |
| Dielectric Strength | 1 second at 500 VAC, max leakage - 500 MicroAmp | | |
| Temperature Range | -20C ~ +75C | | |
| Life (L10) | 65,000 hours (45C) | | |

| Model Number | Speed (RPM) | Airflow (CFM) | Noise (dB) | Volts DC | Voltage Range (VDC) | Amps | Max. Static Pressure (\"H2O) |
|--------------|-------------|---------------|------------|----------|---------------------|------|------------------------------|
| OD1238-12HHB | 3800 | 154 | 52 | 12 | 6 ~ 14 | 1.30 | 0.57 |
| OD1238-24HHB | 3800 | 154 | 52 | 24 | 12 ~ 28 | 0.60 | 0.57 |
| OD1238-48HHB | 3800 | 154 | 52 | 48 | 24 ~ 55 | 0.35 | 0.57 |