

LEU-20C Series, 20Watt

FEATURES:

- ✓ Constant current output
- ✓ Universal AC input/ Full range
- ✓ Withstand inrush voltage 300Vac within 5 seconds
- ✓ Short circuit, and over voltage protections
- ✓ IP67 rated
- ✓ Cooling by free air convection
- ✓ Class II, no FG
- ✓ Class 2 Power
- ✓ Pass LPS (Limited Power Source) Test
- ✓ Application for LED lighting and electronic screen
- ✓ 100% burn-in test
- ✓ High reliability
- ✓ 2 years warranty



Model	Input voltage (Vac)	Output current (mA)	Output voltage (Vdc)		Output power (W)
			Min.	Max.	
LEU20-C350	90-264	350	9	48	16.8
LEU20-C700		700	9	30	21

ELECTRICAL

Input						
Parameters	Symbols	Test Conditions / Comment	Min.	Typ.	Max.	Units
Input voltage	V_{in}	---	90	--	264	Vac
Input frequency	F_{line}	---	47	--	63	Hz
Input current	I_{in}	Full load, $V_{in}=115Vac$	--	0.55	--	A
		Full load, $V_{in}=230Vac$	--	0.35	--	A
Inrush current	I_{inrush}	Cold start, $V_{in}=230Vac$	--	70	--	A
Efficiency	η	Full voltage, full load	--	83	--	%
Leakage current	$I_{leakage}$	$V_{in}=230Vac$	--	0.25	--	mA

LEU-20C Series, 20Watt
ELECTRICAL
Output

Parameters	Symbols	Test Conditions / Comment	Min.	Typ.	Max.	Units
Output current	I_{out}	LEU20-C350	--	350	--	mA
		LEU20-C700	--	700	--	mA
Output voltage	V_{out}	LEU20-C350	9	--	48	V
		LEU20-C700	9	--	30	V
Output voltage accuracy	--	---	--	±5	--	%
Output current accuracy	--	---	--	±5	--	%
Line regulation	$I_{out-line}$	---	--	±1.0	--	%
Load regulation	$I_{out-load}$	---	--	±2.0	--	%
Turn-on delay time	T_{on_delay}	Full voltage, full load	--	500	--	ms
Rise time	T_{on_rise}	Full voltage, full load	--	250	--	ms
Hold-on time	--	$V_{in}=115Vac$, full load	--	16	--	ms
		$V_{in}=230Vac$, full load	--	50	--	ms
Ripple	--	---	--	--	200	mVp-p

Protection

Over voltage Typical:110-150%; Protection: turn off output voltage, Diode clamp type

Environment

Storage	$T_{storage}$	Humidity: 5% RH to 95% RH	-40	--	+80	°C
Ambient operating temperature	T_a	Startup at rated voltage (Please refer to derating curve)	-30	--	+70	°C
Temperature coefficient	--	---	--	300	--	ppm
Operating relative humidity	H_a	Non condensing	10	--	95	%
MTBF	T_{MTBF}	Full load, 220Vac input, 25°C ambient temperature	--	786.5	--	kHrs
Dimension(LxWxH)	118x35x26mm					
Weight	220g					

LEU-20C Series, 20Watt

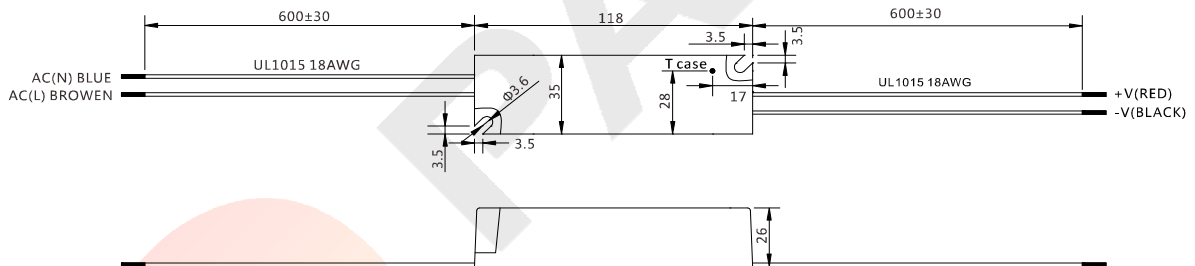
ELECTRICAL

Safety / EMC

Safety standards	UL879, UL1310, TUV EN60950-1, IP67
Withstand voltage	I/P-O/P:3KVAC
Insulation Resistance	I/P-O/P: > 100M Ohms/500VDC/25°C/70%RH
EMC emission	Design to EN55022(CISPR22)Class B, EN61000-3-2 Class A, EN61000-3-3
EMC immunity	Design to EN61000-4-2,3,4,5,6,8,11, EN55024

- Notes:**
1. Unless otherwise specified, all the above parameters are measured at ambient temperature of 25°C and $V_{in} = 230V_{ac}$, rated load;
 2. Ripple & Noise are measured at 20MHZ of bandwidth by using a 12" twisted pair-wire terminated with a 0.1μF & 47μF parallel capacitor;
 3. Suitable for indoor or outdoor which away from direct sunlight conditions, avoid soaking in water for more than 30 minutes.

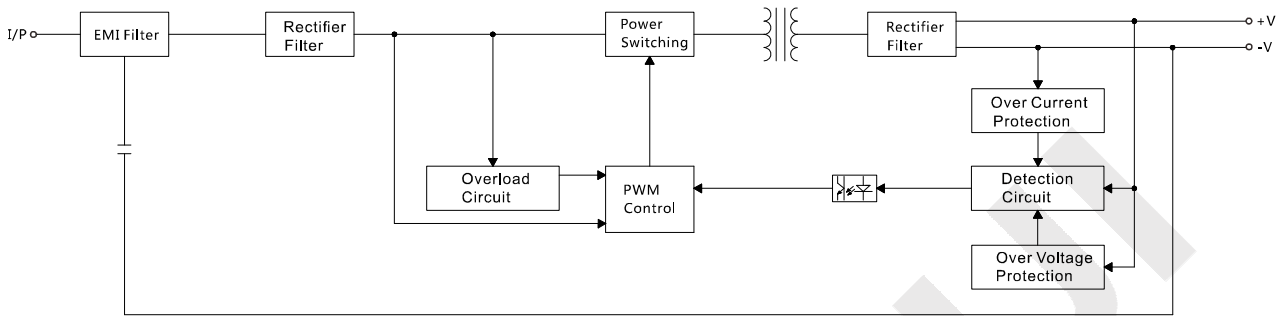
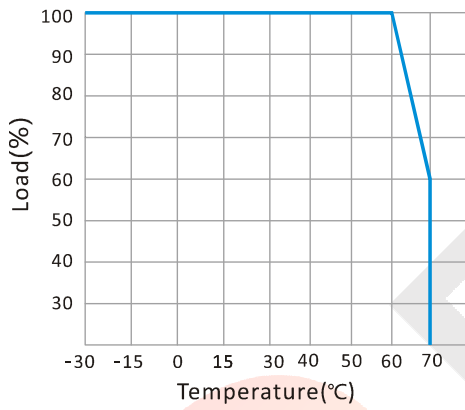
MECHANICAL



Unit: mm

RECOMMEND INSTALLATION



LEU-20C Series, 20Watt
BLOCK DIAGRAM

DERATING CURVE

STATIC CHARACTERISTIC CURVE
