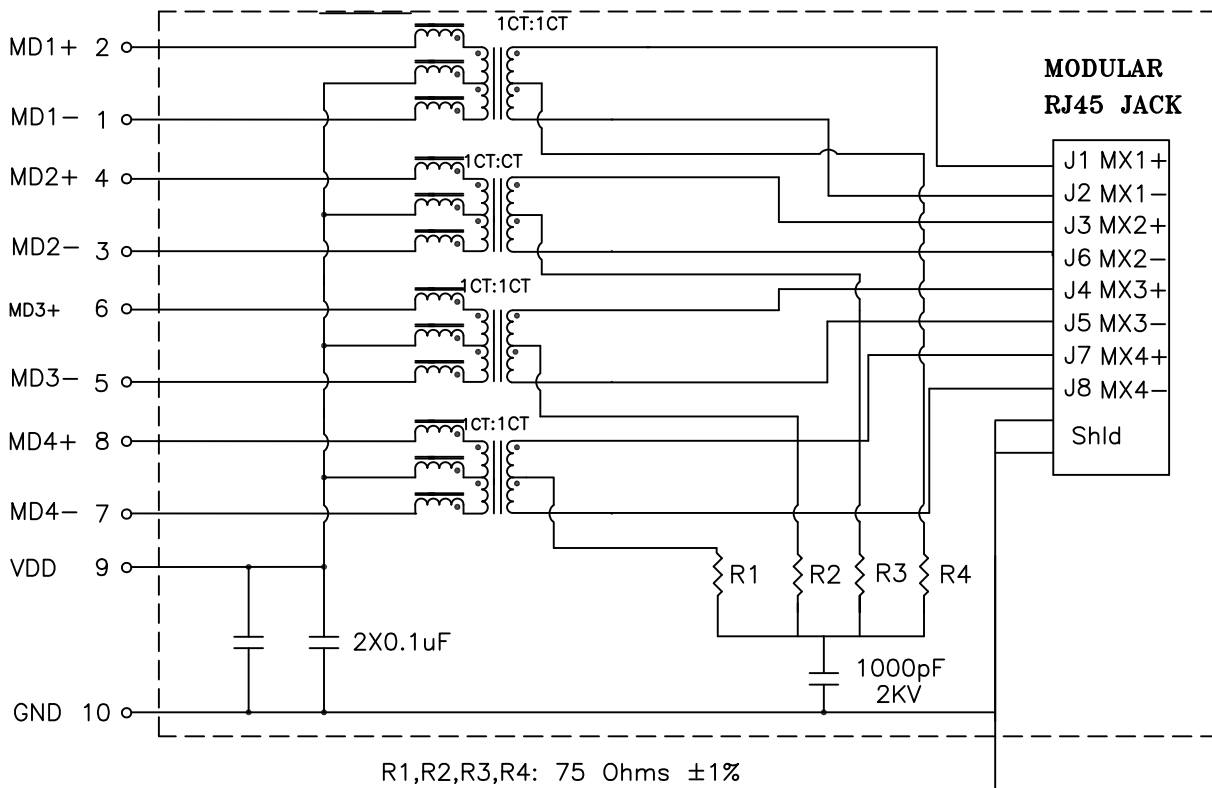


# Schematic: (Two Ports)



R1,R2,R3,R4: 75 Ohms ±1%

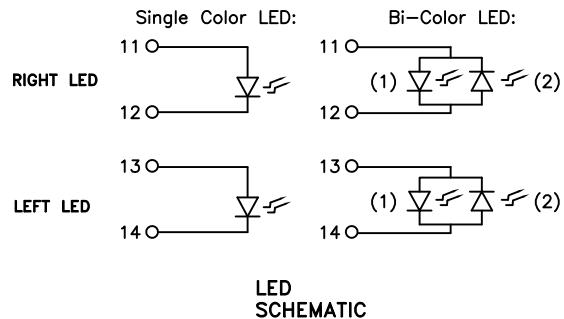
## Electrical Specifications: @25°C

- ISOLATION: 2250VDC (See Notes )
- TURNS RATIO: (PRI/SEC) 1CT:1CT ±3%
- OCL: 350uH Min @100KHz 100mV 8mADC
- Q: 5 Min @100KHz 100mV
- Rise Time: 1.75ns Max.
- INSERTION LOSS: -1.0dB MAX @1MHz-100MHz  
-1.5dB MAX @100-125MHz
- RETURN LOSS: -18dB Typ @1-30MHz  
-15dB Typ @40MHz -13.1dB Typ @50MHz  
-12dB Min @60-80MHz -10dB Min @100MHz
- Differential to Common Mode Rejection:  
-43dB Min @30MHz -37dB Min @80MHz  
-33dB Min @100MHz
- CMRR: -30dB Min @1-100MHz
- Crosstalk: -45dB Min @30MHz  
-40dB Min @60MHz -35dB Min @100MHz

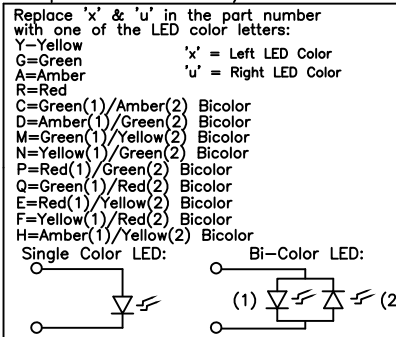
### Notes:

1. Solderability: Leads shall meet MIL-STD-202G, Method 208H for solderability.
2. Flammability: UL94V-0
3. ASTM oxygen index: > 28%
4. UL Recognized Component: File Number E165866
5. Operating Temperature Range: All listed parameters are to be within tolerance from -40°C to +85°C
6. Storage Temperature Range: -55°C to +125°C
7. Aqueous wash compatible
8. Electrical and mechanical specifications 100% tested
9. RoHS Compliant Component
10. Hipot spec refers to application to wound toroids only

DOC REV: A/2



Complete the Combo P/N as follows:



**XFMRs Inc**  
www.XFMRs.com

Title: 2X1 Gigabit Stacked Combo with dual Rows LED

UNLESS OTHERWISE SPECIFIED TOLERANCES:  
.xxx ±0.010  
Dimensions in Inch

P/N: XFGIB100ZCA-STKVDxu2-4

REV. A

DWN.

Yuan

May-26-14

CHK.

YK Liao

May-26-14

APP.

DDC

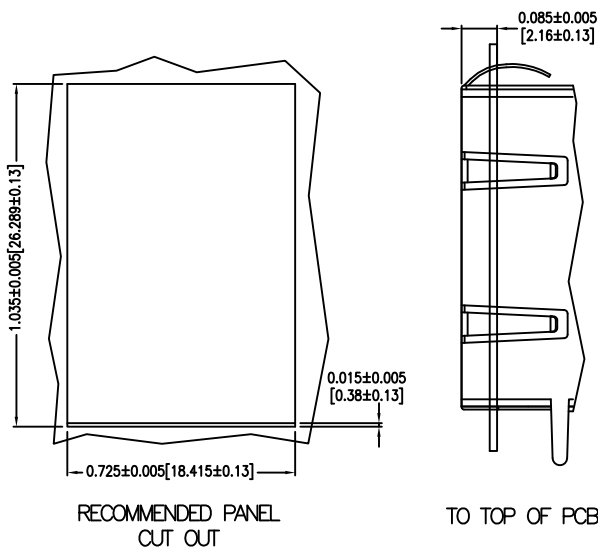
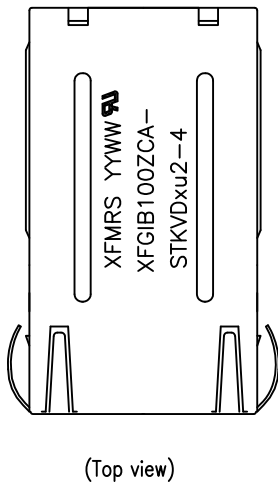
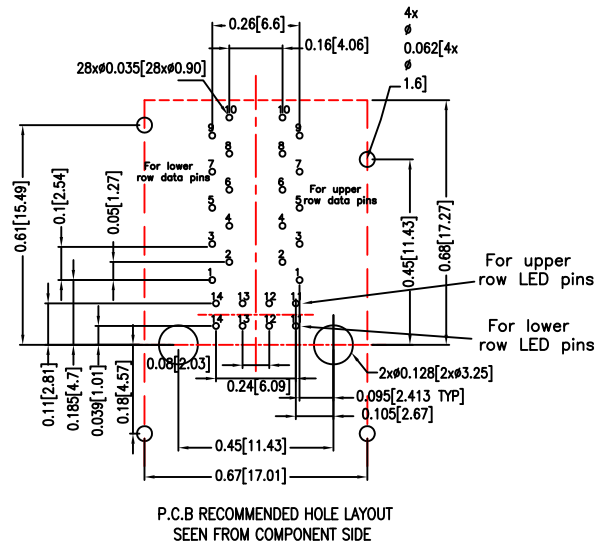
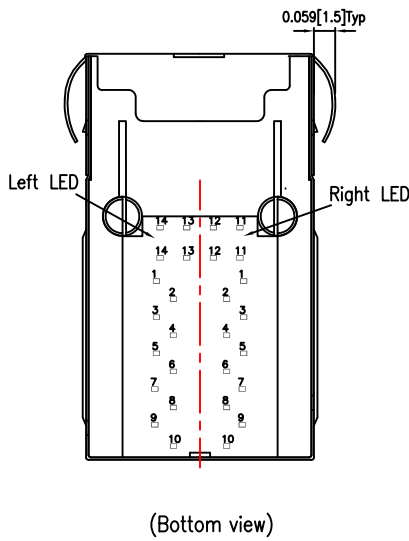
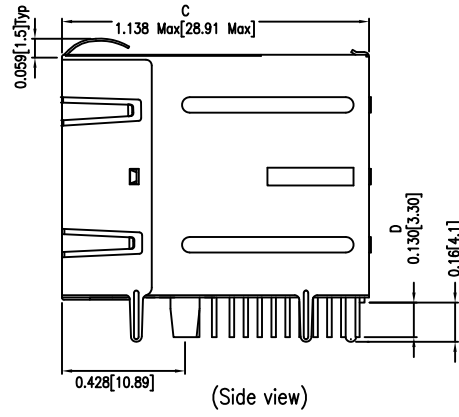
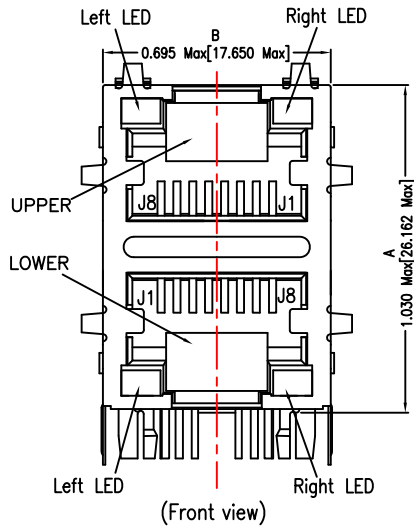
May-26-14

**PROPRIETARY:**

Document is the property of XFMRs Group & is not allowed to be duplicated without authorization.

SHEET 1 OF 2

# Mechanical Dimensions:



<b>XFMRS Inc.</b> <a href="http://www.XFMRS.com">www.XFMRS.com</a>	Title: Mechanical Dimensions For 2x1 Stacked COMBO with Vertical Dual lines Pins			
	UNLESS OTHERWISE SPECIFIED TOLERANCES: .xxx ±0.010 [±0.25] Dimensions in Inch [mm]	P/N: XFGIB100ZCA-STKVDxu2-4	REV. A	
DOC REV: A/2	DWN.	Yuan	May-26-14	
<b>PROPRIETARY</b> Document is the property of XFMRS Group & is not allowed to be duplicated without authorization.	CHK.	YK Liao	May-26-14	
	SHEET 2 OF 2	APP.	DDC	May-26-14