

BUR52

HIGH CURRENT NPN SILICON TRANSISTOR

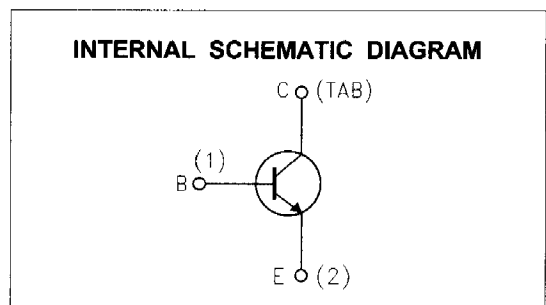
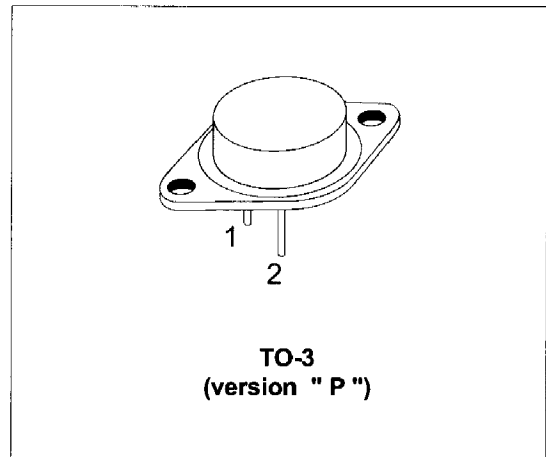
- NPN TRANSISTOR
- MAINTAINS GOOD SWITCHING PERFORMANCE EVEN WITHOUT NEGATIVE BASE DRIVE

APPLICATIONS

- LINEAR AND SWITCHING INDUSTRIAL EQUIPMENT

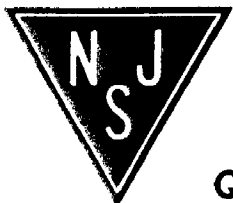
DESCRIPTION

The BUR52 is a silicon multiepitaxial planar NPN transistors in modified Jedec TO-3 metal case, intended for use in switching and linear applications in military and industrial equipment.



ABSOLUTE MAXIMUM RATINGS

Symbol	Parameter	Value	Unit
V_{CBO}	Collector-Base Voltage ($I_E = 0$)	350	V
V_{CEO}	Collector-Emitter Voltage ($I_B = 0$)	250	V
V_{EBO}	Emitter-Base Voltage ($I_C = 0$)	10	V
I_C	Collector Current	60	A
I_{CM}	Collector Peak Current ($t_p = 10$ ms)	80	A
I_B	Base Current	16	A
P_{tot}	Total Dissipation at $T_c \leq 25$ °C	350	W
T_{stg}	Storage Temperature	-65 to 200	°C
T_j	Max. Operating Junction Temperature	200	°C



NJ Semi-Conductors reserves the right to change test conditions, parameter limits and package dimensions without notice. Information furnished by NJ Semi-Conductors is believed to be both accurate and reliable at the time of going to press. However, NJ Semi-Conductors assumes no responsibility for any errors or omissions discovered in its use. NJ Semi-Conductors encourages customers to verify that datasheets are current before placing orders.

Quality Semi-Conductors

TO-3 (version P) MECHANICAL DATA

DIM.	mm			inch		
	MIN.	TYP.	MAX.	MIN.	TYP.	MAX.
A	11.00	11.7	13.10	0.433		0.516
B	1.45	1.5	1.60	0.057		0.063
C	2.7		2.92	0.106		0.115
D	8.9		9.4	0.350		0.370
E	19.00		20.00	0.748		0.787
G	10.70	10.9	11.10	0.421	0.429	0.437
N	16.50	16.9	17.20	0.650	0.665	0.677
P	25.00		26.00	0.984		1.024
R	3.88		4.2	0.153		0.165
U	38.50		39.30	1.516		1.547
V	30.00	30.14	30.30	1.181	1.186	1.193

