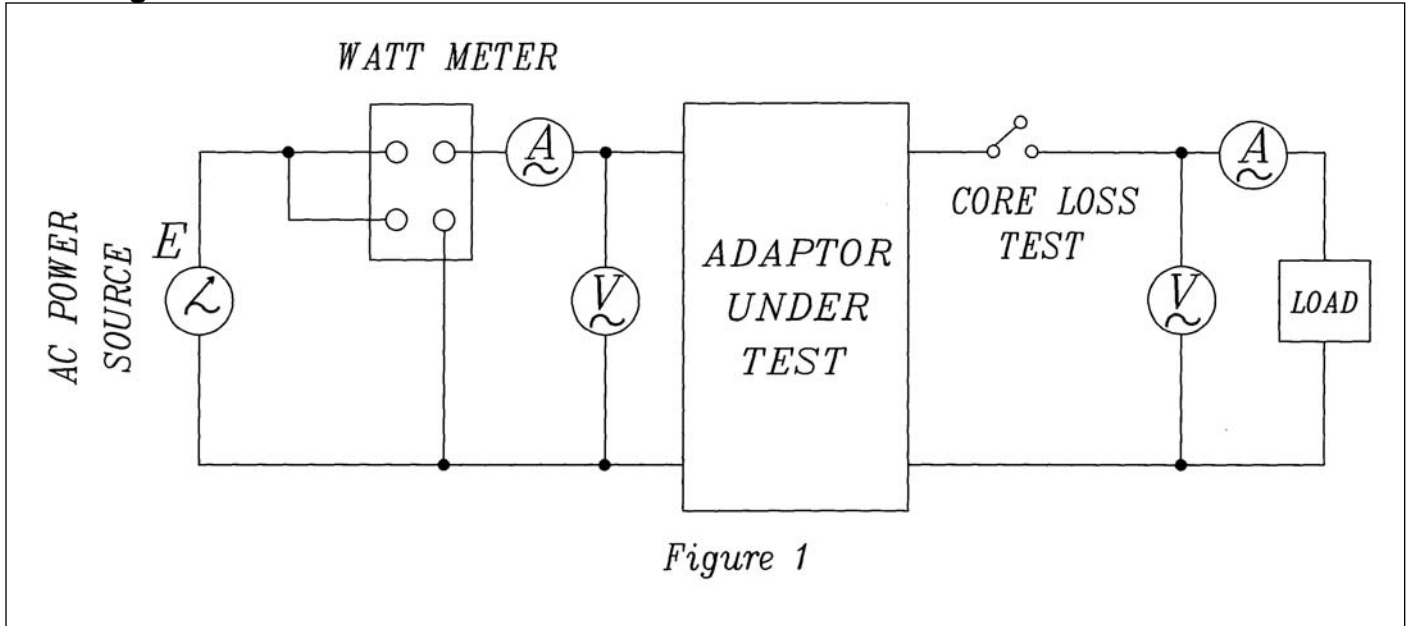
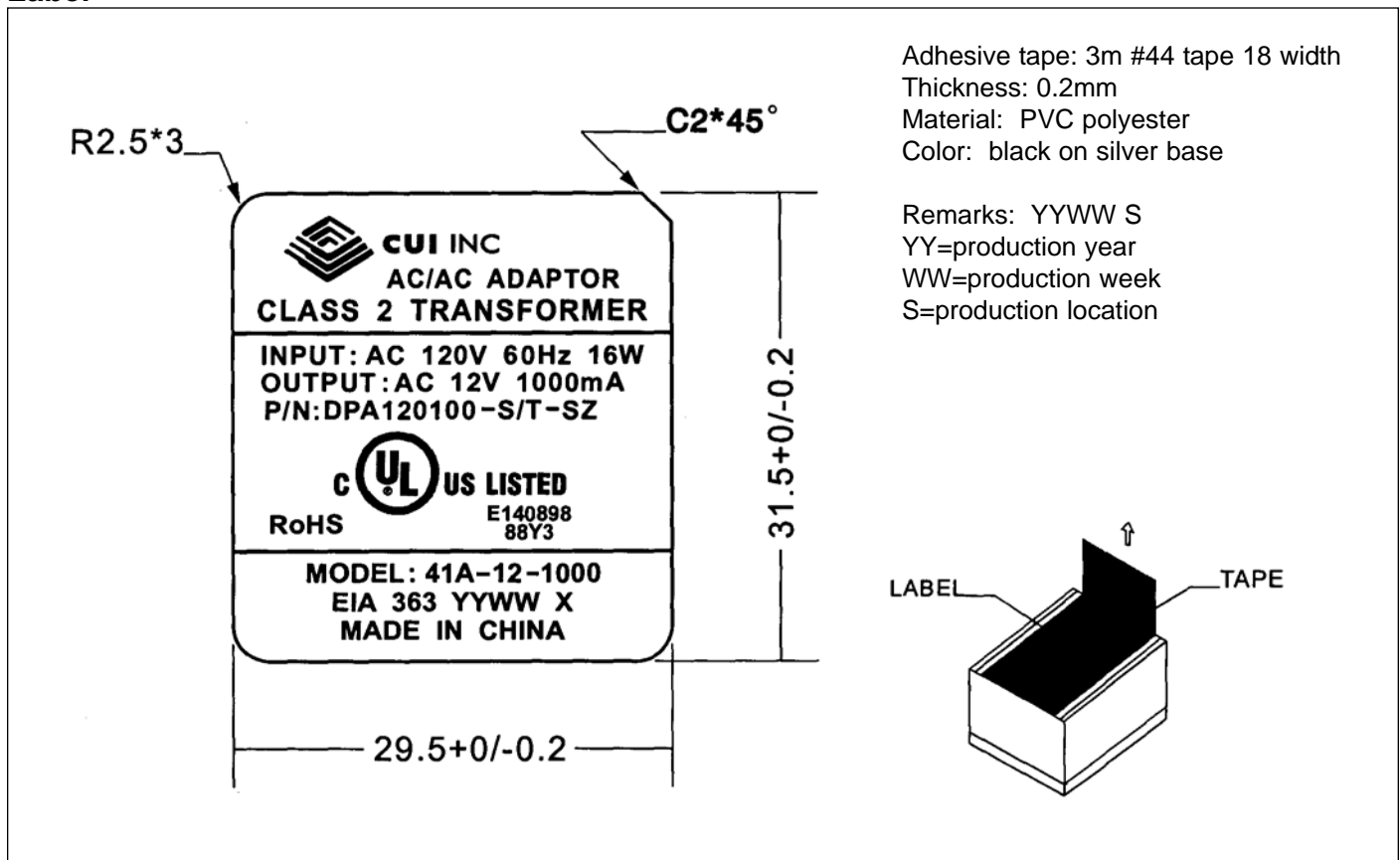




Specifications

Output voltage	12 V ac at 1000 mA	
Primary rated input	120 V ac 60 Hz 16 W	
Primary exciting current	70 mA rms max.	
Secondary rated voltage & current	no load voltage (max.)	14.4 V ref.
	full load volatge (1000 mA)	12 V ac $\pm 5\%$
Temperature rise of primary winding (full load)	70°C max. using resistance method	
Insulation resistance	≥ 100 M Ohm at 500 V dc	
HI-POT test	from input to output for 1 min.	1240 V ac at 2 mA
	from input to output for 1 sec.	1600 V ac at 2 mA
	from primary to seconardy winding for 1 sec.	1600 V ac at 2 mA
	from primary winding to core for 1 sec.	1600 V ac at 2 mA
	from secondary winding to core for 1 sec.	750 V ac at 2 mA
Safety standard	UL/ cUL	
RoHS compliant	yes	
Test conditions	Ambient temp	40°C $\pm 2^\circ$ C
	Humidity	90-95% 96 hours at Full Load
	Rated voltage	8 hours at full load
Color	Case	black
	Cord	black
	Plug top	black

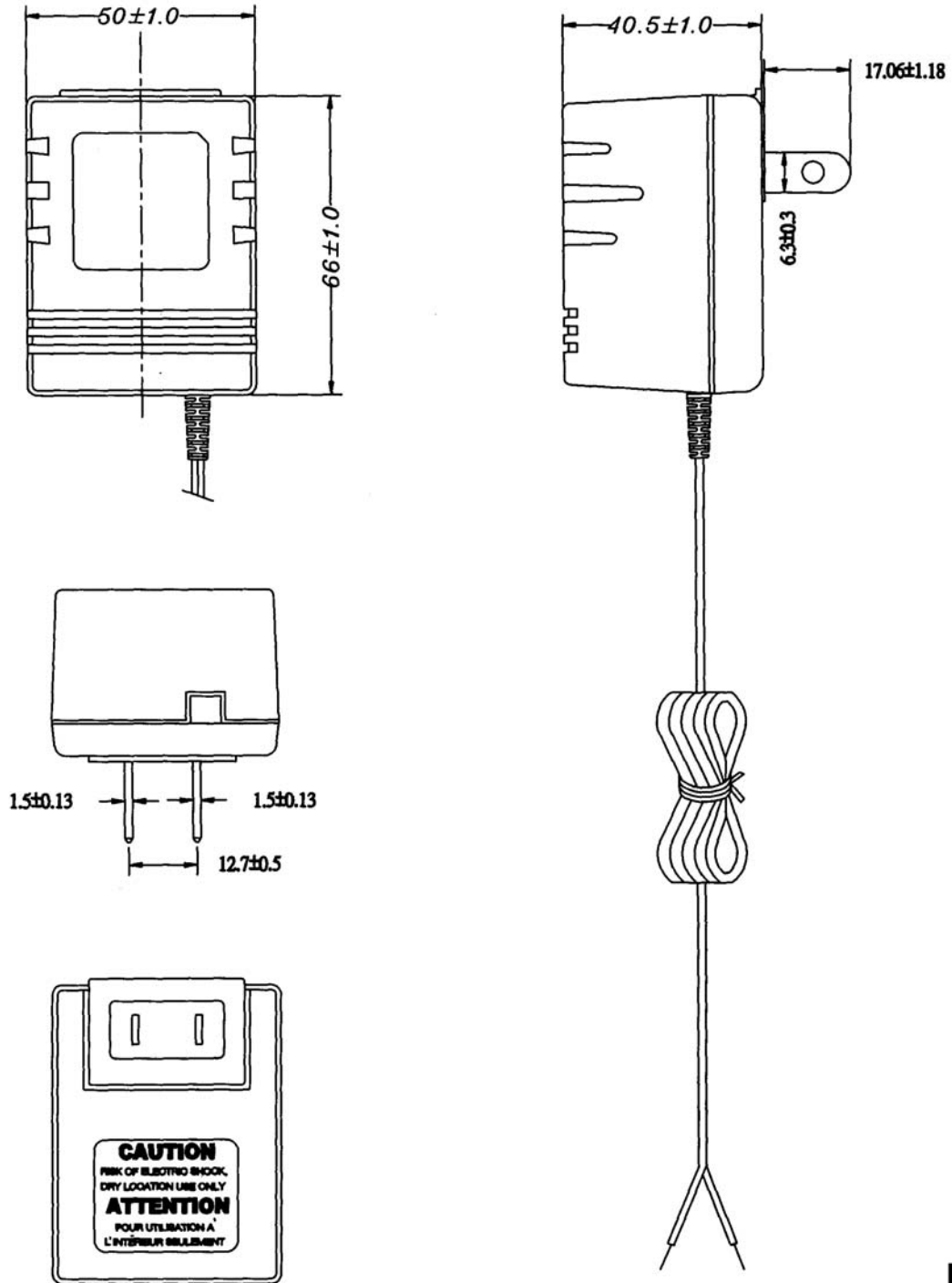
Test Diagram

Label




Mechanical Drawing

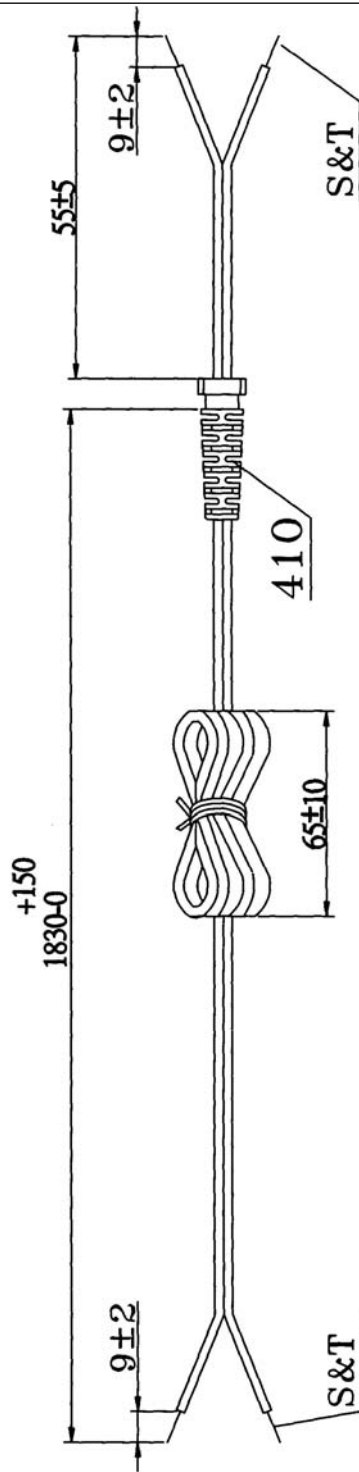
Tolerance: ± 1

Weight 335 g





Cord



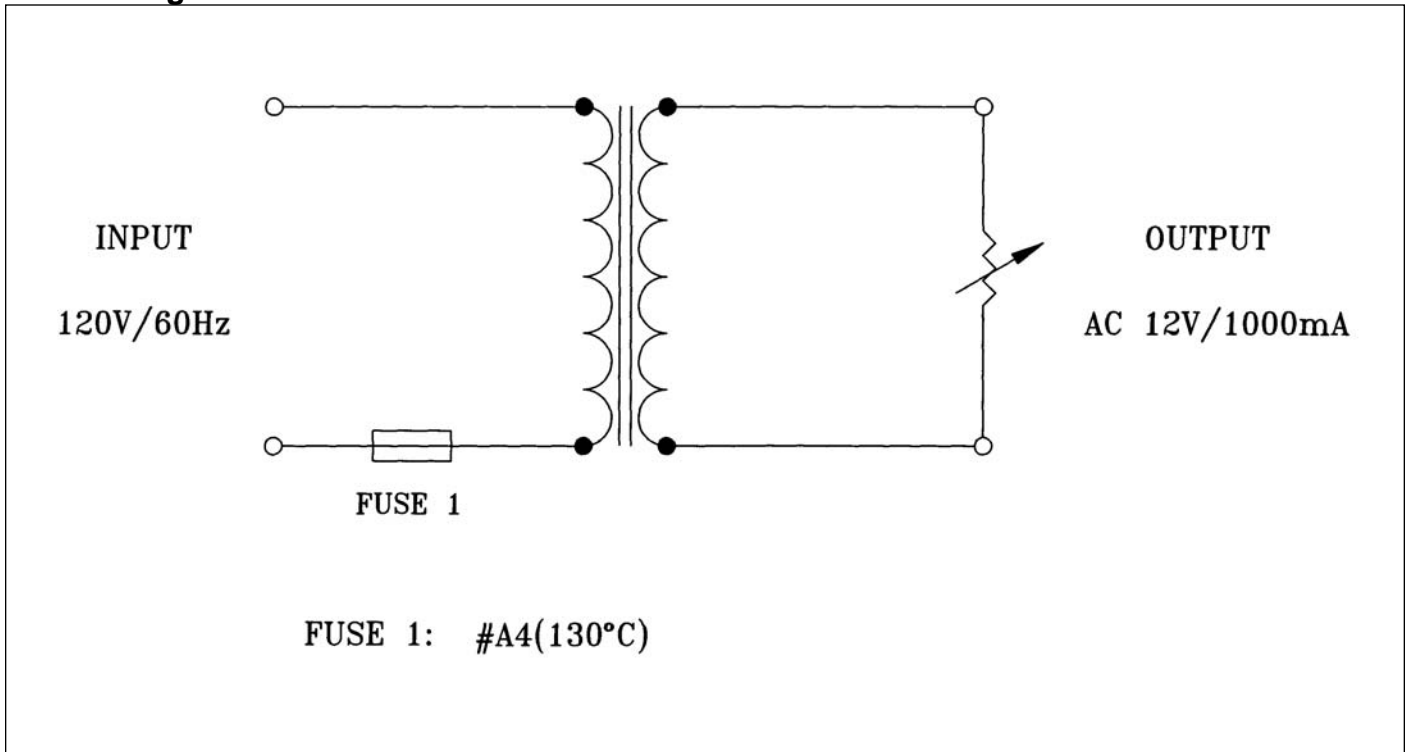
#22AWG X2C BLACK/WHITE WIRE

WIRE OD: Ø1.8X3.6

Parameter request	a. ±50° b. WEIGHT 200g c. 40 ROUND/MINUTE d. OVER 1000 COUNT MIN
VIBRATION TEST	



Circuit Diagrams





CUI INC

Part No: DPA120100-S/T-SZ

Description: linear power supply

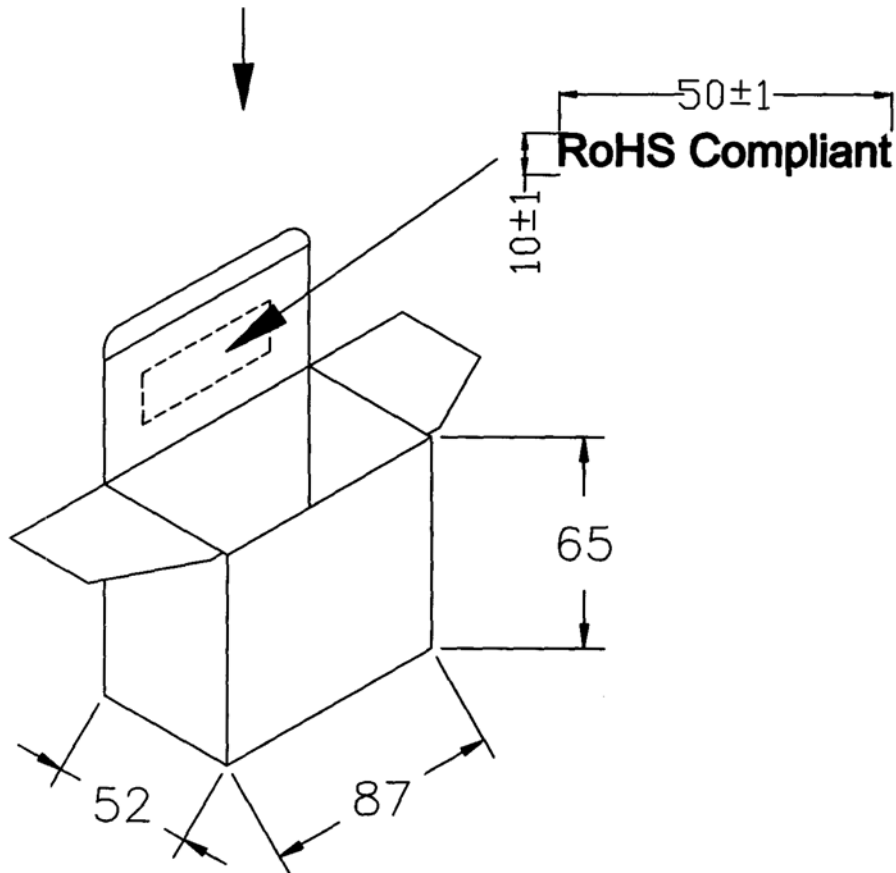
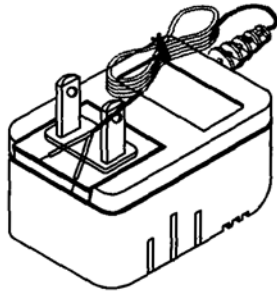
Date: 2/27/2006

Unit: mm

Page No: 6 of 7

Packaging

Tolerance: ± 1





Packaging

Tolerance: +7/-0

CARTON MATERIAL:A=B(6mm)

CARTON SIZE: 374X353X140mm

Q'TY: 40pcs(20x2x1)

