



PRELIMINARY

SOLID STATE DEVICES, INC.

14830 Valley View Blvd * La Mirada, Ca 90638
Phone: (562) 404-7855 * Fax: (562) 404-1773

SDA295A thru SDA295G

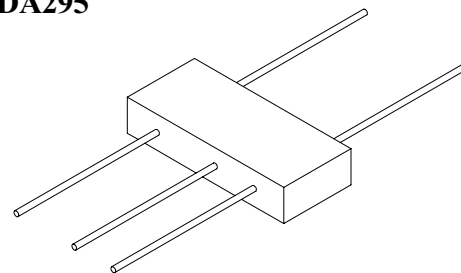
**5 AMPS
50 - 1000 VOLTS
STANDARD RECOVERY
THREE PHASE BRIDGE**

Designer's Data Sheet

FEATURES:

- PIV 50 to 1000 Volts
- Average Output 5A.
- Reverse Recovery 5 μ sec Max
- Subminiature Design for Mounting Versatility
- Hermetically Sealed Rectifier Cells
- Maximum Thermal Resistance 5.0°C/W
- -55 to +150°C Operating and Storage Temperature
- Fast and Ultra Fast Assemblies Available
- TX and TXV Level Screening Available

SDA295



ELECTRICAL CHARACTERISTICS

Part Number	Peak Inverse Voltage (per Leg)	Average Rectified Current		Maximum Surge Current (1 Cycle)	Maximum Forward Voltage (per Leg)	Maximum Reverse Current (@ PIV)	
		I_O				I_R	
Symbol	PIV	I_O		I_{FSM}	V_F	I_R	
Units	Volts	Amps		Amps	Volts	μA	
Conditions	25°C	55°C	100 °C	25°C	$I_F= 5A, T_A= 25^\circ C$	25°C	100°C
SDA295A	50	5	2.6	70	1.20	2.0	150
SDA295B	100	5	2.6	70	1.20	2.0	150
SDA295C	200	5	2.6	70	1.20	2.0	150
SDA295D	400	5	2.6	70	1.20	2.0	150
SDA295E	600	5	2.6	70	1.20	2.0	150
SDA295F	800	5	2.6	70	1.20	2.0	150
SDA295G	1000	5	2.6	70	1.20	2.0	150

NOTES:

1. Maximum forward voltage measured with instantaneous forward pulse of 300 μ sec minimum.
2. Unless otherwise specified: $T_A = 25^\circ C$.

NOTE: All specifications are subject to change without notification. SCD's for these devices should be reviewed by SSDI prior to release.

DATA SHEET # : RA0010A

**SDA295A
thru
SDA295G**

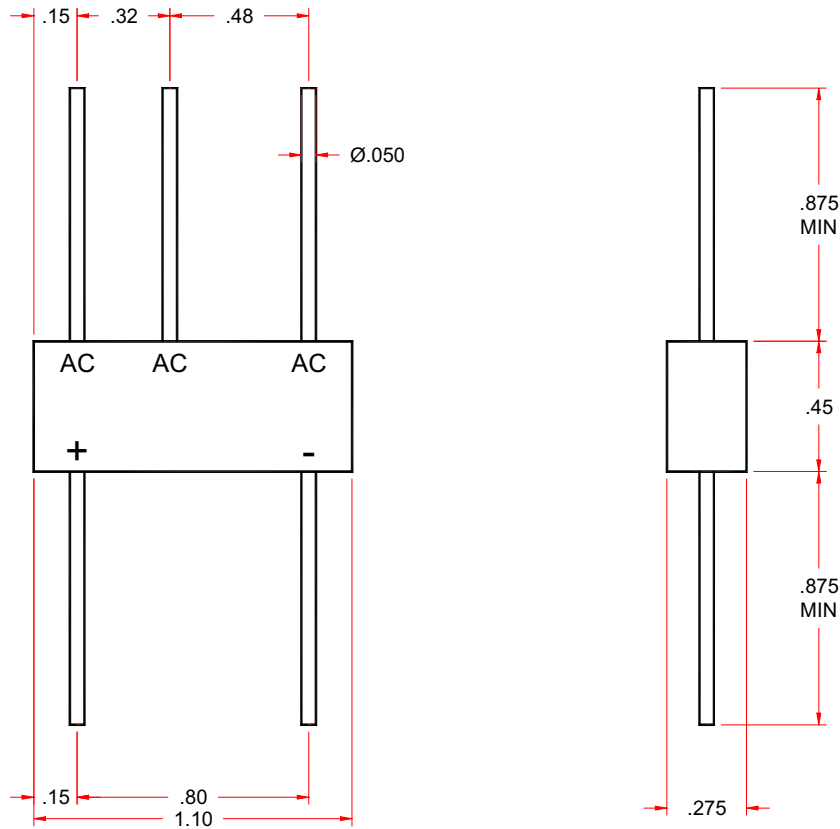
PRELIMINARY



SOLID STATE DEVICES, INC.

14830 Valley View Blvd * La Mirada, Ca 90638
Phone: (562) 404-7855 * Fax: (562) 404-1773

PACKAGE OUTLINE: SDA295



NOTES:

Consult manufacturing for operating curves.