



PRELIMINARY

**SOLID STATE DEVICES, INC.**

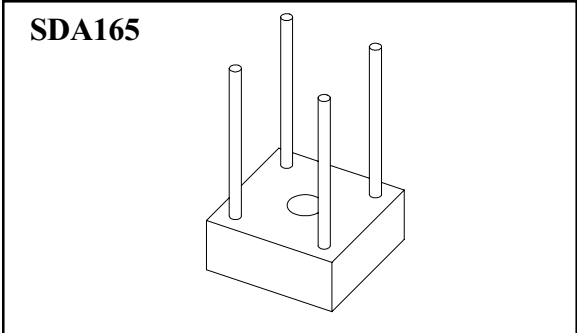
14830 Valley View Blvd \* La Mirada, Ca 90638  
Phone: (562) 404-7855 \* Fax: (562) 404-1773

**Designer's Data Sheet**

**SDA165A  
thru  
SDA165G**

**10 AMPS  
50 - 1000 VOLTS  
STANDARD RECOVERY  
SINGLE PHASE BRIDGE**

- FEATURES:**
- PIV 50 to 1000 Volts
  - Average Output 10A.
  - Reverse Recovery 5  $\mu$ sec Max
  - Small Size
  - Hermetically Sealed Rectifier Cells
  - Easy PC Mounting
  - Maximum Thermal Resistance 5.0°C/W
  - -55 to +150°C Operating and Storage Temperature
  - TX and TXV Level Screening Available



**ELECTRICAL CHARACTERISTICS**

Part Number	Peak Inverse Voltage (per Leg)	Average Rectified Current	Maximum Surge Current (1 Cycle)	Maximum Forward Voltage (per Leg)	Maximum Reverse Current (@ PIV)	
Symbol	PIV	I <sub>O</sub>	I <sub>FSM</sub>	V <sub>F</sub>	I <sub>R</sub>	
Units	Volts	Amps	Amps	Volts	$\mu$ A	
Conditions	25°C	55°C	25°C	I <sub>F</sub> = 3A, T <sub>A</sub> = 25°C	25°C	100°C
SDA165A	50	10	75	1.10	5.0	100
SDA165B	100	10	75	1.10	5.0	100
SDA165C	200	10	75	1.10	5.0	100
SDA165D	400	10	75	1.10	5.0	100
SDA165E	600	10	75	1.10	5.0	100
SDA165F	800	10	75	1.10	5.0	100
SDA165G	1000	10	75	1.10	5.0	100

**NOTES:**

1. Maximum forward voltage measured with instantaneous forward pulse of 300 $\mu$ sec minimum.
2. Unless otherwise specified: T<sub>A</sub> = 25°C.

**NOTE:** All specifications are subject to change without notification. SCD's for these devices should be reviewed by SSDI prior to release.

**DATA SHEET # : RA0009A**

**SDA165A  
thru  
SDA165G**

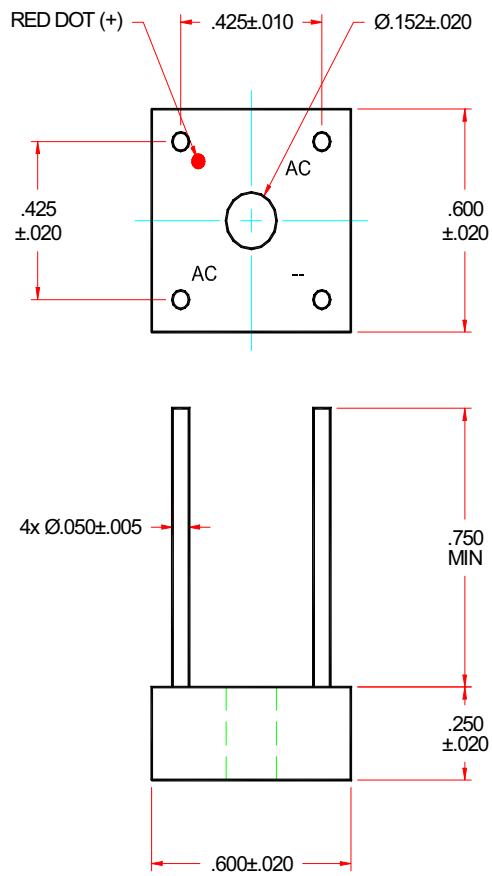
PRELIMINARY



**SOLID STATE DEVICES, INC.**

14830 Valley View Blvd \* La Mirada, Ca 90638  
Phone: (562) 404-7855 \* Fax: (562) 404-1773

**PACKAGE OUTLINE: SDA165**



**NOTES:**

Consult manufacturing for operating curves.