

REMOVAL KIT NUMBERS	WILL REMOVE	PRODUCT PART NUMBERS
2215042-1	6 Pair x 3 Col Receptacles	2187540-1
2215042-2	6 Pair x 3 Col Receptacles	

Figure 1

1. INTRODUCTION

Removal Kits 2215042-[] are designed to remove STRADA-Whisper receptacles from printed circuit (pc) boards. Refer to Figure 1.

Read and understand these instructions before using the removal tools.

2. DESCRIPTION

Each kit consists of two clamp subassemblies, a pusher subassembly, a guide module pusher plate, two pusher plate shims, and four pusher plate mounting screws. The clamp subassemblies consist of a front clamp plate, a rear clamp plate, and a clamp knob. The pusher subassembly consists of a top plate, two pusher plates, and a removal knob. The clamp subassembly clamps the receptacle while the pusher subassembly removes the receptacle from the pc board. The guide module pusher plate is used when the receptacle is adjacent to a guide module, and the pusher plate shims are used depending on the width of the receptacle.

3. OPERATION

3.1. Tool Preparation

To prepare the removal tool, know the dimension of the receptacle (number of rows and columns) and the placement of the receptacle (what is next to the receptacle). Once these conditions are determined, the tool can be prepared to remove the receptacle.

To prepare the tool:

1. Select the kit part number to be used based on the receptacle part number or size.
2. Select the proper clamp subassembly for the receptacle part number or size.
3. Determine if shims are necessary and install as needed. See Figure 2 for shim placement.
4. Select the proper side pusher plate orientation, or select the guide module pusher plate, and install the side pusher plates.

Refer to Figure 2 for pusher plate orientation.

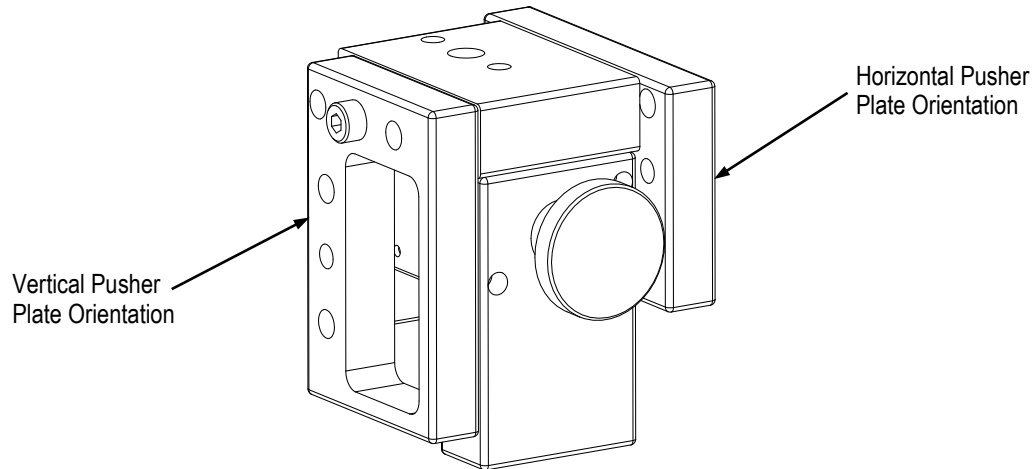


Figure 2

- a. If a receptacle is located next to the clamp assembly, the pusher plate must have a **horizontal orientation**.
- b. If a printed circuit (pc) board is located next to the clamp assembly, the pusher plate must have a vertical orientation.
- c. If a guide module is located next to the clamp assembly, the guide module pusher plate must be installed.

3.2. Removal Procedure



CAUTION

Be certain the removal tool assembly does not contact any components on the pc board during use.

1. Loosen the clamp knob on the clamp subassembly if necessary to fit over the receptacle.
2. Place the clamp subassembly over the receptacle and center it on the receptacle.
3. Tighten the clamp knob to clamp the receptacle. Hand tightening should be sufficient. See Figure 3.

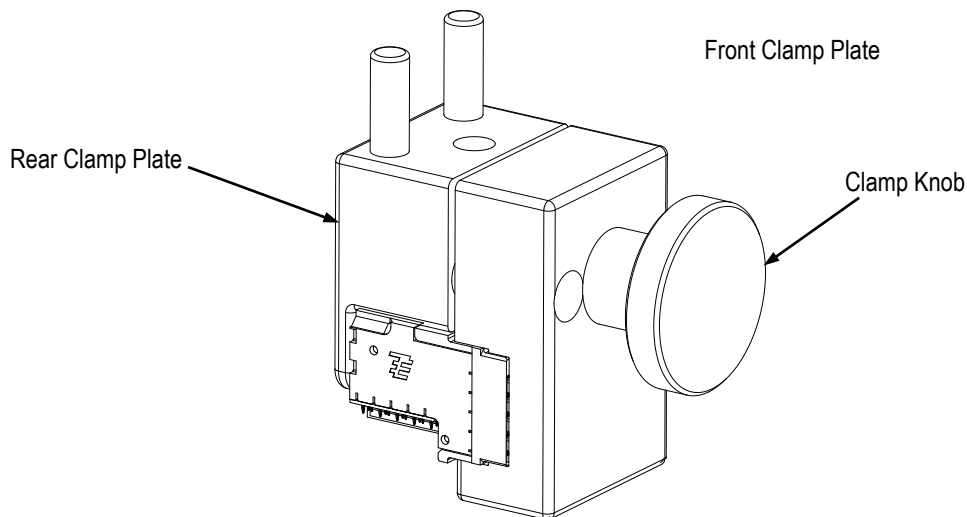


Figure 3

4. Place the pusher subassembly over the clamp subassembly. (Figure 4).
5. Tighten the Removal Knob to remove the receptacle from the pc board.

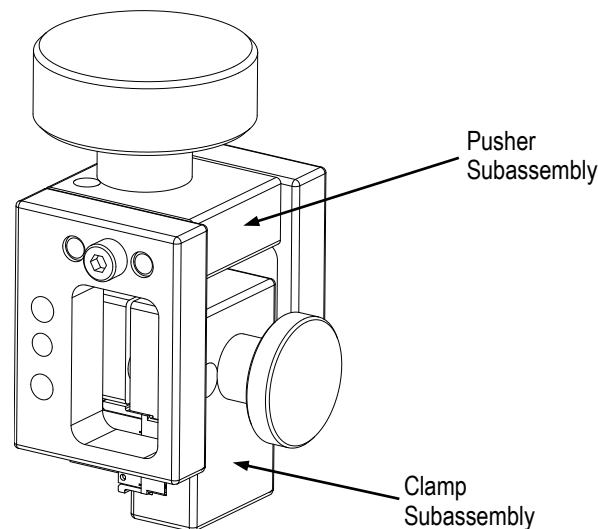


Figure 4



NOTE

The tool and receptacle can spin after removal due to the twisting action of the removal knob. This spin could cause damage to the pc board. Hold the tool firmly during removal.

6. Remove the receptacle from the tool by loosening the Clamp Knob.

4. MAINTENANCE AND INSPECTION

TE Connectivity recommends that the tool be inspected immediately upon its arrival to ensure that it has not been damaged during shipment.

4.1. Daily Maintenance

It is recommended that each operator be made aware of, and responsible for, the following steps of daily maintenance:

- Remove dust, moisture, and other contaminants with a clean, soft brush, or lint-free cloth. DO NOT use objects that could damage the tool or any of its components.
- When the tool is not in use, store it in a clean, dry area.

4.2. Periodic Inspection

Regular inspections should be performed by quality control personnel. A record of scheduled inspections should remain with the tool or be supplied to personnel responsible for the tool. The inspection frequency should be based on the amount of use, working conditions, operator training and skill, and established company standards.

5. REPLACEMENT AND REPAIR

For customer repair service or to order replacement parts, call 1-800-522-6752, or fax your purchase order to 717-986-7605, or write to: Customer Service (038-035), Tyco Electronics Corporation, PO Box 3608, Harrisburg, PA 17105-3608.

6. REVISION SUMMARY

- Initial release of document