

CUW Y3SH.B1



Micro SIDELED is a SMT LED with side emission. Due to its low package height it is ideal for applications in limited space environments.

Features:

- **Package:** white SMT package, colored diffused silicone resin
- **Technology:** InGaN on Sapphire
- **Viewing angle at 50 % I_v:** 120°
- **Color:** C_x = 0.29, C_y = 0.28 acc. to CIE 1931 (ultra white)
- **Optical efficiency (typ.):** 155 lm/W (ultra white)

Applications

- Backlighting
- LCD Backlighting

Micro SIDELED ist eine SMT LED mit seitlicher Abstrahlrichtung. Aufgrund ihrer niedrigen Bauteilhöhe ist sie ideal für Anwendungen mit begrenztem Raum.

Besondere Merkmale:

- **Gehäusertyp:** weißes SMT Gehäuse, farbiger diffuser Silikon-Verguss
- **Technologie:** InGaN on Sapphire
- **Abstrahlwinkel bei 50 % I_v:** 120°
- **Farbe:** C_x = 0.29, C_y = 0.28 nach CIE 1931 (ultra weiß)
- **Optischer Wirkungsgrad (typ.):** 155 lm/W (ultra weiß)

Anwendungen

- Hinterleuchtung
- LCD Beleuchtung

Ordering Information

Bestellinformation

| Type: | Luminous Flux ¹⁾ page 24 | Ordering Code |
|-------------------------|-------------------------------------|---------------|
| Typ: | Lichtstrom ¹⁾ Seite 24 | Bestellnummer |
| | $I_F = 20 \text{ mA}$ | |
| | Φ_V [mlm] | |
| CUW Y3SH.B1-DEGF-4A7V-1 | 6500 ... 10000 | Q65111A6691 |

Note: *The above Type Numbers represent the order groups which include only a few brightness groups (see page 5). Only one group will be shipped on each packing unit (there will be no mixing of two groups on each packing unit). E. g. CUW Y3SH.B1-DEGF-4A7V-1 means that only one group DE, DF, EC, ED, EE, EF, FC, FD, FE, FF, GC, GD, GE, GF will be shippable for any packing unit. In order to ensure availability, single brightness groups will not be orderable.*

In a similar manner for colors where color chromaticity coordinate groups are measured and binned, single groups will be shipped on any one packing unit. CUW Y3SH.B1-DEGF-4A7V-1 means that the device will be shipped within the specified limits. In order to ensure availability, single color chromaticity groups will not be orderable.

In a similar manner for colors where forward voltage groups are measured and binned, single forward voltage groups will be shipped on any packing unit. CUW Y3SH.B1-DEGF-4A7V-1 means that only one forward voltage group 22,42,62,Z2 will be shippable. In order to ensure availability, single forward voltage groups will not be orderable (see page 5).

Anm.: *Die oben genannten Typbezeichnungen umfassen die bestellbaren Selektionen. Diese bestehen aus wenigen Helligkeitsgruppen (siehe Seite 5). Es wird nur eine einzige Helligkeitsgruppe pro Verpackungseinheit geliefert. Z. B. CUW Y3SH.B1-DEGF-4A7V-1 bedeutet, dass in einer Verpackungseinheit nur eine der Helligkeitsgruppen DE, DF, EC, ED, EE, EF, FC, FD, FE, FF, GC, GD, GE, GF enthalten ist. Um die Liefersicherheit zu gewährleisten, können einzelne Helligkeitsgruppen nicht bestellt werden.*

Gleiches gilt für die Farben, bei denen Farbortgruppen gemessen und gruppiert werden. Pro Verpackungseinheit wird nur eine Farbortgruppe geliefert. Z. B. CUW Y3SH.B1-DEGF-4A7V-1 bedeutet, dass in einer Verpackungseinheit nur eine der Farbortgruppen enthalten ist. CUW Y3SH.B1-DEGF-4A7V-1 bedeutet, dass das Bauteil innerhalb der spezifizierten Grenzen geliefert wird. Um die Liefersicherheit zu gewährleisten, können einzelne Farbortgruppen nicht bestellt werden.

Gleiches gilt für die LEDs, bei denen die Durchlassspannungsgruppen gemessen und gruppiert werden. Pro Verpackungseinheit wird nur eine Durchlassspannungsgruppe geliefert. Z. B. CUW Y3SH.B1-DEGF-4A7V-1 bedeutet, dass nach Durchlassspannungsgruppen gruppiert wird. In einer Verpackungseinheit ist nur eine der Durchlassspannungsgruppen 22,42,62,Z2 enthalten (siehe Seite 5). Um die Liefersicherheit zu gewährleisten, können einzelne Durchlassspannungsgruppen nicht direkt bestellt werden.

Maximum Ratings**Grenzwerte**

| Parameter Bezeichnung | Symbol Symbol | Values Werte | Unit Einheit |
|-------------------------------------------------------------------------------------------------|--------------------------------|------------------------------------|-------------------------------|
| Operating temperature range Betriebstemperatur | T_{op} | -40 ... 85 | °C |
| Storage temperature range Lagertemperatur | T_{stg} | -40 ... 100 | °C |
| Junction temperature Sperrschichttemperatur | T_j | 105 | °C |
| Forward current Durchlassstrom ($T_s = 25\text{ °C}$) | I_F | 40 | mA |
| Surge current Stoßstrom ($t \leq 10\ \mu\text{s}$; $D = 0.005$; $T_s = 25\text{ °C}$) | I_{FM} | 100 | mA |
| Reverse voltage Sperrspannung ($T_s = 25\text{ °C}$) | V_R | not designed for reverse operation | V |
| ESD withstand voltage ESD Festigkeit (acc. to ANSI/ESDA/JEDEC JS-001 - HBM) | V_{ESD} | up to 1 | kV |

Characteristics ($T_S = 25\text{ °C}$; $I_F = 20\text{ mA}$)

Kennwerte

| Parameter | | Symbol | Values | Unit |
|--------------------------------------------------------------------------------------------------------|--------|--------------------|--------|---------|
| Bezeichnung | | Symbol | Werte | Einheit |
| Chromaticity coordinates acc. to CIE 1931 2) page 24 | (typ.) | Cx | 0.29 | - |
| Farbkoordinaten nach CIE 1931 2) Seite 24 | (typ.) | Cy | 0.275 | - |
| Viewing angle at 50 % I_V Abstrahlwinkel bei 50 % I_V | (typ.) | 2φ | 120 | ° |
| Forward voltage 3) page 24 | (min.) | V_F | 2.70 | V |
| Durchlassspannung 3) Seite 24 | (typ.) | V_F | 2.85 | V |
| | (max.) | V_F | 3.10 | V |
| Real thermal resistance junction / solder point 4) page 24 | (typ.) | $R_{th\ JS\ real}$ | 107 | K/W |
| Realer Wärmewiderstand Sperrschicht / Lötpad 4) Seite 24 | (max.) | $R_{th\ JS\ real}$ | 132 | K/W |
| "Electrical" thermal resistance junction / solder point 4) page 24 | (typ.) | $R_{th\ JS\ el}$ | 50 | K/W |
| "Elektrischer" Wärmewiderstand Sperrschicht / Lötpad 4) Seite 24 (with efficiency $\eta_e = 53\%$) | (max.) | $R_{th\ JS\ el}$ | 62 | K/W |

Note: Individual forward voltage groups see next page

Anm.: Durchlassspannungsgruppen siehe nächste Seite

Brightness Groups
Helligkeitsgruppen

| Group | Luminous Flux <small>1) page 24</small> | Luminous Flux <small>1) page 24</small> | Luminous Intensity <small>5) page 24</small> |
|--------|----------------------------------------------------------------|----------------------------------------------------------------|--------------------------------------------------------------|
| Gruppe | Lichtstrom <small>1) Seite 24</small> (min.) Φ_V [mlm] | Lichtstrom <small>1) Seite 24</small> (max.) Φ_V [mlm] | Lichtstärke <small>5) Seite 24</small> (typ.) I_V [mcd] |
| DE | 6500 | 6750 | 2190 |
| DF | 6750 | 7000 | 2270 |
| EC | 7000 | 7250 | 2350 |
| ED | 7250 | 7500 | 2430 |
| EE | 7500 | 7750 | 2520 |
| EF | 7750 | 8000 | 2600 |
| FC | 8000 | 8250 | 2680 |
| FD | 8250 | 8500 | 2760 |
| FE | 8500 | 8750 | 2850 |
| FF | 8750 | 9000 | 2930 |
| GC | 9000 | 9250 | 3010 |
| GD | 9250 | 9500 | 3090 |
| GE | 9500 | 9750 | 3180 |
| GF | 9750 | 10000 | 3260 |

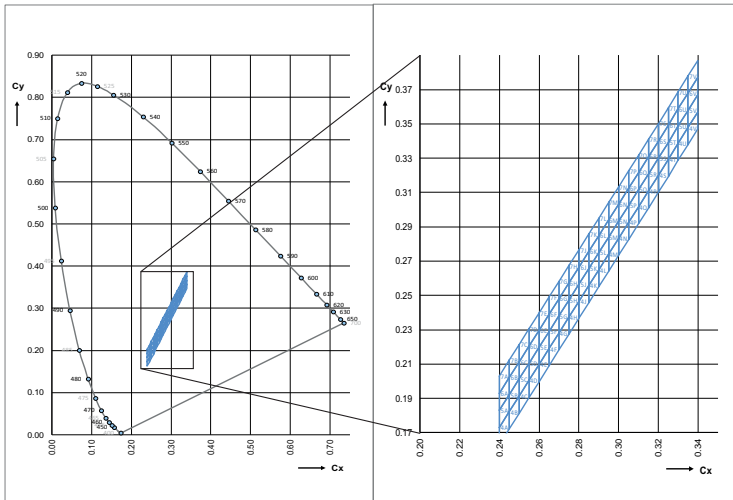
Note: The standard shipping format for serial types includes either a lower family group, an upper family group or a grouping of all individual brightness groups of only a few brightness groups. Individual brightness groups cannot be ordered.

Anm.: Die Standardlieferform von Serientypen beinhaltet entweder eine untere Familiengruppe, eine obere Familiengruppe oder eine Sammelgruppe, die aus nur wenigen Helligkeitsgruppen besteht. Einzelne Helligkeitsgruppen sind nicht bestellbar.

Forward Voltage Groups 3) page 24
Durchlassspannungsgruppen 3) Seite 24

| Group | | |
|--------|------------------|------------------|
| Gruppe | (min.) V_F [V] | (max.) V_F [V] |
| Z2 | 2.70 | 2.80 |
| 22 | 2.80 | 2.90 |
| 42 | 2.90 | 3.00 |
| 62 | 3.00 | 3.10 |

Chromaticity Coordinate Groups ²⁾ page 24
Farbortgruppen ²⁾ Seite 24



Color Chromaticity Groups ²⁾ page 24
Farbortgruppen ²⁾ Seite 24

| Group Gruppe | Cx | Cy | Group Gruppe | Cx | Cy | Group Gruppe | Cx | Cy |
|--------------|--------|--------|--------------|--------|--------|--------------|--------|--------|
| 4A | 0.2400 | 0.1630 | 7G | 0.2700 | 0.2482 | 6P | 0.3050 | 0.3026 |
| | 0.2400 | 0.1730 | | 0.2700 | 0.2582 | | 0.3050 | 0.3126 |
| | 0.2450 | 0.1722 | | 0.2750 | 0.2574 | | 0.3100 | 0.3118 |
| | 0.2450 | 0.1822 | | 0.2750 | 0.2674 | | 0.3100 | 0.3218 |
| 5A | 0.2400 | 0.1730 | 4H | 0.2750 | 0.2274 | 7P | 0.3050 | 0.3126 |
| | 0.2400 | 0.1830 | | 0.2750 | 0.2374 | | 0.3050 | 0.3226 |
| | 0.2450 | 0.1822 | | 0.2800 | 0.2366 | | 0.3100 | 0.3218 |
| | 0.2450 | 0.1922 | | 0.2800 | 0.2466 | | 0.3100 | 0.3318 |
| 6A | 0.2400 | 0.1830 | 5H | 0.2750 | 0.2374 | 4Q | 0.3100 | 0.2918 |
| | 0.2400 | 0.1930 | | 0.2750 | 0.2474 | | 0.3100 | 0.3018 |
| | 0.2450 | 0.1922 | | 0.2800 | 0.2466 | | 0.3150 | 0.3010 |
| | 0.2450 | 0.2022 | | 0.2800 | 0.2566 | | 0.3150 | 0.3110 |

| Group Gruppe | Cx | Cy | Group Gruppe | Cx | Cy | Group Gruppe | Cx | Cy |
|--------------|--------|--------|--------------|--------|--------|--------------|--------|--------|
| 7A | 0.2400 | 0.1930 | 6H | 0.2750 | 0.2474 | 5Q | 0.3100 | 0.3018 |
| | 0.2400 | 0.2030 | | 0.2750 | 0.2574 | | 0.3100 | 0.3118 |
| | 0.2450 | 0.2022 | | 0.2800 | 0.2566 | | 0.3150 | 0.3110 |
| | 0.2450 | 0.2122 | | 0.2800 | 0.2666 | | 0.3150 | 0.3210 |
| 4B | 0.2450 | 0.1722 | 7H | 0.2750 | 0.2574 | 6Q | 0.3100 | 0.3118 |
| | 0.2450 | 0.1822 | | 0.2750 | 0.2674 | | 0.3100 | 0.3218 |
| | 0.2500 | 0.1814 | | 0.2800 | 0.2666 | | 0.3150 | 0.3210 |
| | 0.2500 | 0.1914 | | 0.2800 | 0.2766 | | 0.3150 | 0.3310 |
| 5B | 0.2450 | 0.1822 | 4J | 0.2800 | 0.2366 | 7Q | 0.3100 | 0.3218 |
| | 0.2450 | 0.1922 | | 0.2800 | 0.2466 | | 0.3100 | 0.3318 |
| | 0.2500 | 0.1914 | | 0.2850 | 0.2458 | | 0.3150 | 0.3310 |
| | 0.2500 | 0.2014 | | 0.2850 | 0.2558 | | 0.3150 | 0.3410 |
| 6B | 0.2450 | 0.1922 | 5J | 0.2800 | 0.2466 | 4R | 0.3150 | 0.3010 |
| | 0.2450 | 0.2022 | | 0.2800 | 0.2566 | | 0.3150 | 0.3110 |
| | 0.2500 | 0.2014 | | 0.2850 | 0.2558 | | 0.3200 | 0.3102 |
| | 0.2500 | 0.2114 | | 0.2850 | 0.2658 | | 0.3200 | 0.3202 |
| 7B | 0.2450 | 0.2022 | 6J | 0.2800 | 0.2566 | 5R | 0.3150 | 0.3110 |
| | 0.2450 | 0.2122 | | 0.2800 | 0.2666 | | 0.3150 | 0.3210 |
| | 0.2500 | 0.2114 | | 0.2850 | 0.2658 | | 0.3200 | 0.3202 |
| | 0.2500 | 0.2214 | | 0.2850 | 0.2758 | | 0.3200 | 0.3302 |
| 4C | 0.2500 | 0.1814 | 7J | 0.2800 | 0.2666 | 6R | 0.3150 | 0.3210 |
| | 0.2500 | 0.1914 | | 0.2800 | 0.2766 | | 0.3150 | 0.3310 |
| | 0.2550 | 0.1906 | | 0.2850 | 0.2758 | | 0.3200 | 0.3302 |
| | 0.2550 | 0.2006 | | 0.2850 | 0.2858 | | 0.3200 | 0.3402 |
| 5C | 0.2500 | 0.1914 | 4K | 0.2850 | 0.2458 | 7R | 0.3150 | 0.3310 |
| | 0.2500 | 0.2014 | | 0.2850 | 0.2558 | | 0.3150 | 0.3410 |
| | 0.2550 | 0.2006 | | 0.2900 | 0.2550 | | 0.3200 | 0.3402 |
| | 0.2550 | 0.2106 | | 0.2900 | 0.2650 | | 0.3200 | 0.3502 |
| 6C | 0.2500 | 0.2014 | 5K | 0.2850 | 0.2558 | 4S | 0.3200 | 0.3102 |
| | 0.2500 | 0.2114 | | 0.2850 | 0.2658 | | 0.3200 | 0.3202 |
| | 0.2550 | 0.2106 | | 0.2900 | 0.2650 | | 0.3250 | 0.3194 |
| | 0.2550 | 0.2206 | | 0.2900 | 0.2750 | | 0.3250 | 0.3294 |

| Group Gruppe | Cx | Cy | Group Gruppe | Cx | Cy | Group Gruppe | Cx | Cy |
|--------------|--------|--------|--------------|--------|--------|--------------|--------|--------|
| 7C | 0.2500 | 0.2114 | 6K | 0.2850 | 0.2658 | 5S | 0.3200 | 0.3202 |
| | 0.2500 | 0.2214 | | 0.2850 | 0.2758 | | 0.3200 | 0.3302 |
| | 0.2550 | 0.2206 | | 0.2900 | 0.2750 | | 0.3250 | 0.3294 |
| | 0.2550 | 0.2306 | | 0.2900 | 0.2850 | | 0.3250 | 0.3394 |
| 4D | 0.2550 | 0.1906 | 7K | 0.2850 | 0.2758 | 6S | 0.3200 | 0.3302 |
| | 0.2550 | 0.2006 | | 0.2850 | 0.2858 | | 0.3200 | 0.3402 |
| | 0.2600 | 0.1998 | | 0.2900 | 0.2850 | | 0.3250 | 0.3394 |
| | 0.2600 | 0.2098 | | 0.2900 | 0.2950 | | 0.3250 | 0.3494 |
| 5D | 0.2550 | 0.2006 | 4L | 0.2900 | 0.2550 | 7S | 0.3200 | 0.3402 |
| | 0.2550 | 0.2106 | | 0.2900 | 0.2650 | | 0.3200 | 0.3502 |
| | 0.2600 | 0.2098 | | 0.2950 | 0.2642 | | 0.3250 | 0.3494 |
| | 0.2600 | 0.2198 | | 0.2950 | 0.2742 | | 0.3250 | 0.3594 |
| 6D | 0.2550 | 0.2106 | 5L | 0.2900 | 0.2650 | 4T | 0.3250 | 0.3194 |
| | 0.2550 | 0.2206 | | 0.2900 | 0.2750 | | 0.3250 | 0.3294 |
| | 0.2600 | 0.2198 | | 0.2950 | 0.2742 | | 0.3300 | 0.3286 |
| | 0.2600 | 0.2298 | | 0.2950 | 0.2842 | | 0.3300 | 0.3386 |
| 7D | 0.2550 | 0.2206 | 6L | 0.2900 | 0.2750 | 5T | 0.3250 | 0.3294 |
| | 0.2550 | 0.2306 | | 0.2900 | 0.2850 | | 0.3250 | 0.3394 |
| | 0.2600 | 0.2298 | | 0.2950 | 0.2842 | | 0.3300 | 0.3386 |
| | 0.2600 | 0.2398 | | 0.2950 | 0.2942 | | 0.3300 | 0.3486 |
| 4E | 0.2600 | 0.1998 | 7L | 0.2900 | 0.2850 | 6T | 0.3250 | 0.3394 |
| | 0.2600 | 0.2098 | | 0.2900 | 0.2950 | | 0.3250 | 0.3494 |
| | 0.2650 | 0.2090 | | 0.2950 | 0.2942 | | 0.3300 | 0.3486 |
| | 0.2650 | 0.2190 | | 0.2950 | 0.3042 | | 0.3300 | 0.3586 |
| 5E | 0.2600 | 0.2098 | 4M | 0.2950 | 0.2642 | 7T | 0.3250 | 0.3494 |
| | 0.2600 | 0.2198 | | 0.2950 | 0.2742 | | 0.3250 | 0.3594 |
| | 0.2650 | 0.2190 | | 0.3000 | 0.2734 | | 0.3300 | 0.3586 |
| | 0.2650 | 0.2290 | | 0.3000 | 0.2834 | | 0.3300 | 0.3686 |
| 6E | 0.2600 | 0.2198 | 5M | 0.2950 | 0.2742 | 4U | 0.3300 | 0.3286 |
| | 0.2600 | 0.2298 | | 0.2950 | 0.2842 | | 0.3300 | 0.3386 |
| | 0.2650 | 0.2290 | | 0.3000 | 0.2834 | | 0.3350 | 0.3378 |
| | 0.2650 | 0.2390 | | 0.3000 | 0.2934 | | 0.3350 | 0.3478 |

| Group Gruppe | Cx | Cy | Group Gruppe | Cx | Cy | Group Gruppe | Cx | Cy |
|--------------|--------|--------|--------------|--------|--------|--------------|--------|--------|
| 7E | 0.2600 | 0.2298 | 6M | 0.2950 | 0.2842 | 5U | 0.3300 | 0.3386 |
| | 0.2600 | 0.2398 | | 0.2950 | 0.2942 | | 0.3300 | 0.3486 |
| | 0.2650 | 0.2390 | | 0.3000 | 0.2934 | | 0.3350 | 0.3478 |
| | 0.2650 | 0.2490 | | 0.3000 | 0.3034 | | 0.3350 | 0.3578 |
| 4F | 0.2650 | 0.2090 | 7M | 0.2950 | 0.2942 | 6U | 0.3300 | 0.3486 |
| | 0.2650 | 0.2190 | | 0.2950 | 0.3042 | | 0.3300 | 0.3586 |
| | 0.2700 | 0.2182 | | 0.3000 | 0.3034 | | 0.3350 | 0.3578 |
| | 0.2700 | 0.2282 | | 0.3000 | 0.3134 | | 0.3350 | 0.3678 |
| 5F | 0.2650 | 0.2190 | 4N | 0.3000 | 0.2734 | 7U | 0.3300 | 0.3586 |
| | 0.2650 | 0.2290 | | 0.3000 | 0.2834 | | 0.3300 | 0.3686 |
| | 0.2700 | 0.2282 | | 0.3050 | 0.2826 | | 0.3350 | 0.3678 |
| | 0.2700 | 0.2382 | | 0.3050 | 0.2926 | | 0.3350 | 0.3778 |
| 6F | 0.2650 | 0.2290 | 5N | 0.3000 | 0.2834 | 4V | 0.3350 | 0.3378 |
| | 0.2650 | 0.2390 | | 0.3000 | 0.2934 | | 0.3350 | 0.3478 |
| | 0.2700 | 0.2382 | | 0.3050 | 0.2926 | | 0.3400 | 0.3470 |
| | 0.2700 | 0.2482 | | 0.3050 | 0.3026 | | 0.3400 | 0.3570 |
| 7F | 0.2650 | 0.2390 | 6N | 0.3000 | 0.2934 | 5V | 0.3350 | 0.3478 |
| | 0.2650 | 0.2490 | | 0.3000 | 0.3034 | | 0.3350 | 0.3578 |
| | 0.2700 | 0.2482 | | 0.3050 | 0.3026 | | 0.3400 | 0.3570 |
| | 0.2700 | 0.2582 | | 0.3050 | 0.3126 | | 0.3400 | 0.3670 |
| 4G | 0.2700 | 0.2182 | 7N | 0.3000 | 0.3034 | 6V | 0.3350 | 0.3578 |
| | 0.2700 | 0.2282 | | 0.3000 | 0.3134 | | 0.3350 | 0.3678 |
| | 0.2750 | 0.2274 | | 0.3050 | 0.3126 | | 0.3400 | 0.3670 |
| | 0.2750 | 0.2374 | | 0.3050 | 0.3226 | | 0.3400 | 0.3770 |
| 5G | 0.2700 | 0.2282 | 4P | 0.3050 | 0.2826 | 7V | 0.3350 | 0.3678 |
| | 0.2700 | 0.2382 | | 0.3050 | 0.2926 | | 0.3350 | 0.3778 |
| | 0.2750 | 0.2374 | | 0.3100 | 0.2918 | | 0.3400 | 0.3770 |
| | 0.2750 | 0.2474 | | 0.3100 | 0.3018 | | 0.3400 | 0.3870 |
| 6G | 0.2700 | 0.2382 | 5P | 0.3050 | 0.2926 | | | |
| | 0.2700 | 0.2482 | | 0.3050 | 0.3026 | | | |
| | 0.2750 | 0.2474 | | 0.3100 | 0.3018 | | | |
| | 0.2750 | 0.2574 | | 0.3100 | 0.3118 | | | |

Group Name on Label**Gruppenbezeichnung auf Etikett**

Example: DE-4A-Z2

Beispiel: DE-4A-Z2

| Brightness Helligkeit | Chromaticity Coordinate Farbort | Forward Voltage Durchlassspannung |
|----------------------------------|--------------------------------------------|----------------------------------------------|
| DE | 4A | Z2 |

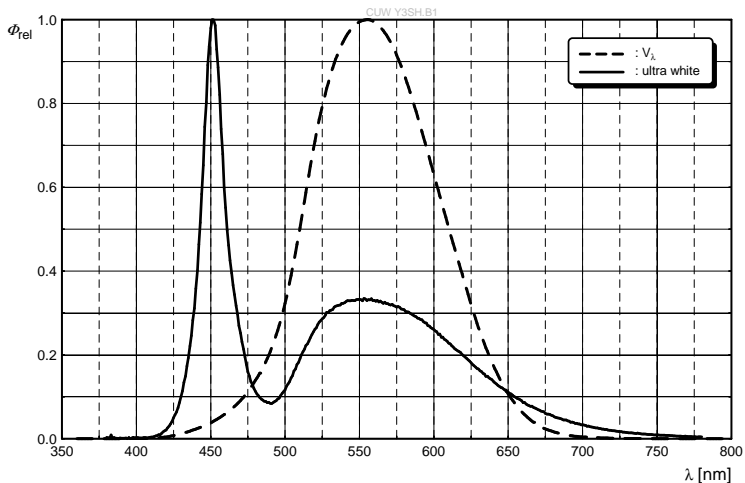
Note: No packing unit / tape ever contains more than one group for each selection.

Anm.: In einer Verpackungseinheit / Gurt ist immer nur eine Gruppe für jede Selektion enthalten.

Relative Spectral Emission - $V(\lambda) = \text{Standard eye response curve}$ ^{5) page 24}

Relative spektrale Emission - $V(\lambda) = \text{spektrale Augenempfindlichkeit}$ ^{5) Seite 24}

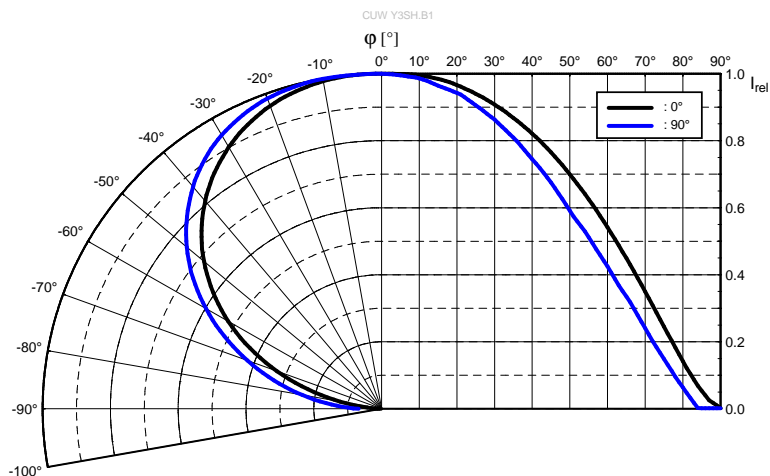
$\Phi_{\text{rel}} = f(\lambda)$; $T_S = 25^\circ\text{C}$; $I_F = 20\text{ mA}$



Radiation Characteristics ^{5) page 24}

Abstrahlcharakteristik ^{5) Seite 24}

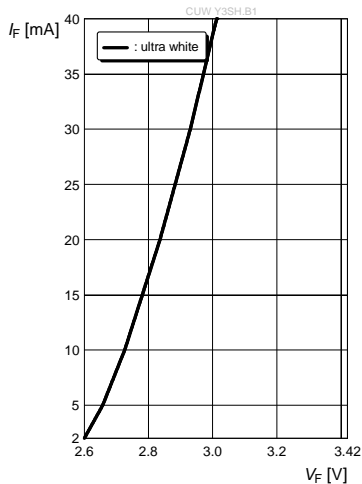
$I_{\text{rel}} = f(\phi)$; $T_S = 25^\circ\text{C}$



Forward Current ^{5) page 24}

Durchlassstrom ^{5) Seite 24}

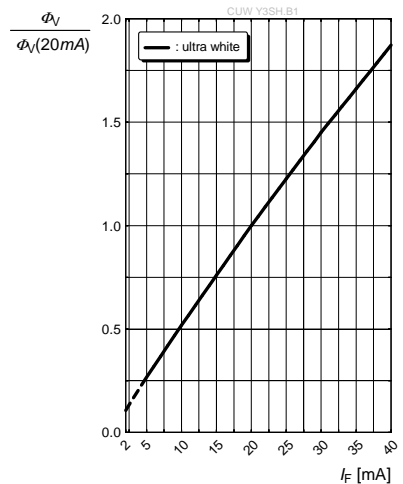
$$I_F = f(V_F); T_S = 25\text{ °C}$$



Relative Luminous Flux ^{5) page 24 , 6) page 24}

Relativer Lichtstrom ^{5) Seite 24 , 6) Seite 24}

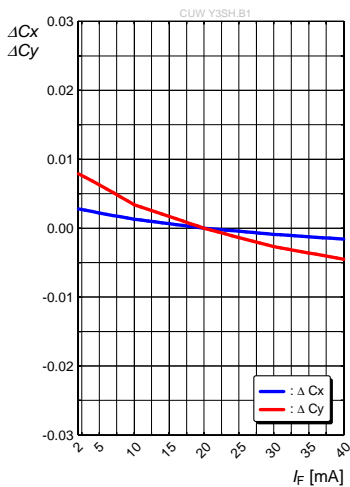
$$\Phi_V / \Phi_V(20\text{ mA}) = f(I_F); T_S = 25\text{ °C}$$



Chromaticity Coordinate Shift ^{5) page 24}

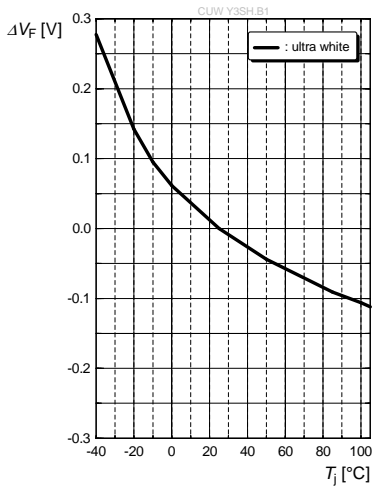
Farbortverschiebung ^{5) Seite 24}

$$\Delta C_x, \Delta C_y = f(I_F); T_S = 25\text{ °C}$$

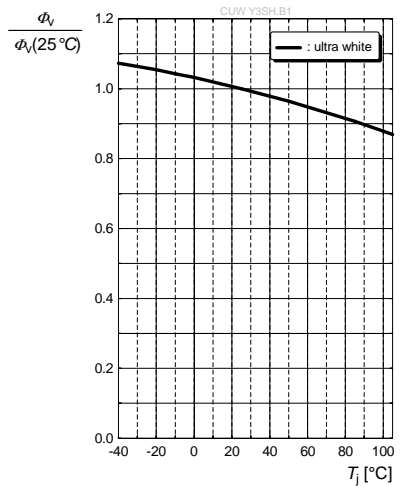


Relative Forward Voltage ^{5) page 24}**Relative Vorwärtsspannung** ^{5) Seite 24}

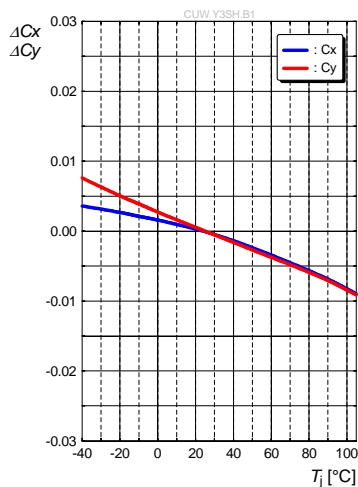
$$\Delta V_F = V_F - V_F(25^\circ\text{C}) = f(T_j); I_F = 20\text{ mA}$$

**Relative Luminous Flux** ^{5) page 24}**Relativer Lichtstrom** ^{5) Seite 24}

$$\Phi_V/\Phi_V(25^\circ\text{C}) = f(T_j); I_F = 20\text{ mA}$$

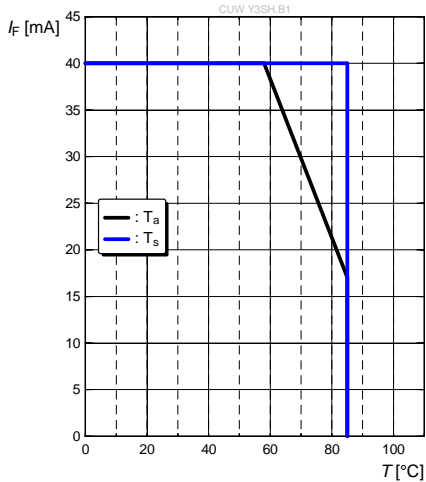
**Chromaticity Coordinate Shift** ^{5) page 24}**Farbortverschiebung** ^{5) Seite 24}

$$\Delta C_x, \Delta C_y = f(T_j); I_F = 20\text{ mA}$$



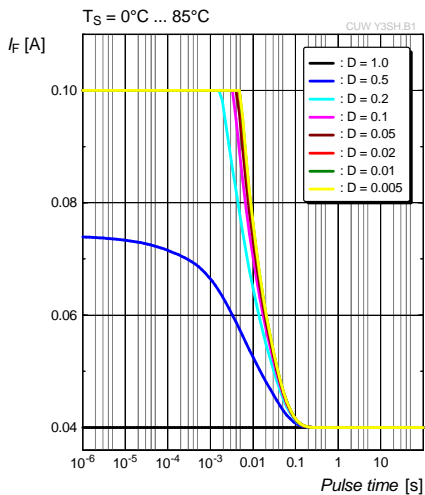
Max. Permissible Forward Current Max. zulässiger Durchlassstrom

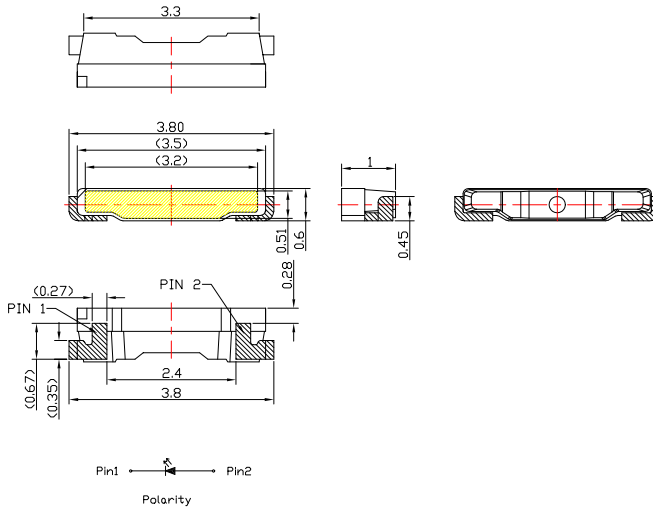
$$I_F = f(T)$$



Permissible Pulse Handling Capability Zulässige Impulsbelastbarkeit $I_F = f(t_p)$

D: Duty cycle



Package Outline ⁷⁾ page 24Maßzeichnung ⁷⁾ Seite 24

Approximate Weight:

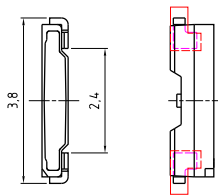
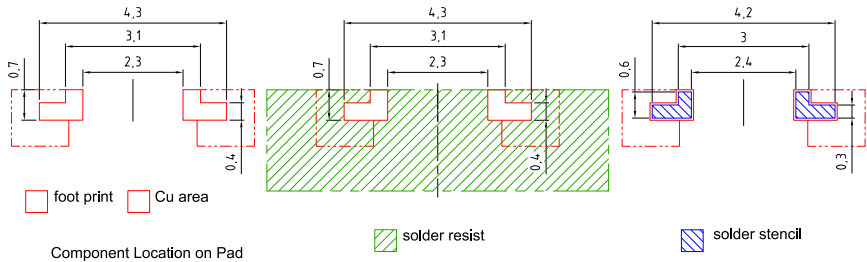
4 mg

Gewicht:

4 mg

Recommended Solder Pad ^{7) page 24}
Empfohlenes Lötpaddesign ^{7) Seite 24}

Reflow soldering
 Reflow-Löten



E062.3010.183 -01

Note:

For superior solder joint connectivity results we recommend soldering under standard nitrogen atmosphere. Package not suitable for ultra sonic cleaning.

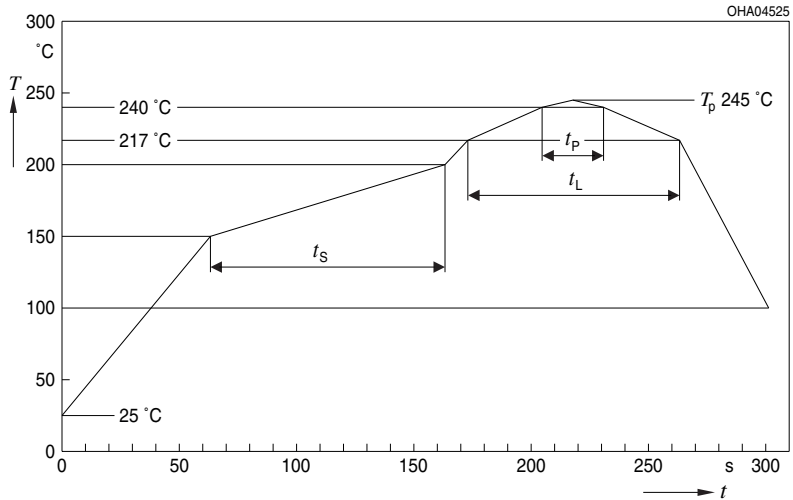
Anm.:

Um eine verbesserte Lötstellenkontaktierung zu erreichen, empfehlen wir, unter Standard-Stickstoffatmosphäre zu löten. Das Gehäuse ist für Ultraschallreinigung nicht geeignet.

Reflow Soldering Profile

Reflow-Lötprofil

Preconditioning: JEDEC Level 3 acc. to JEDEC J-STD-020D.01

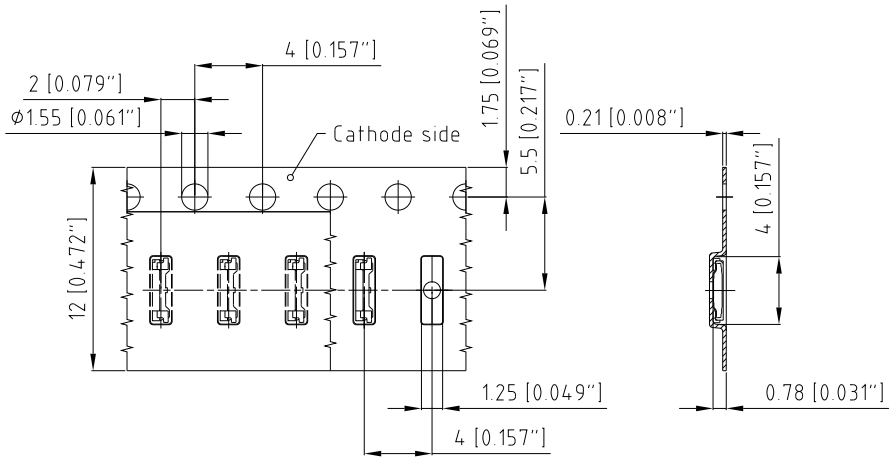


OHA04612

| Profile Feature Profil-Charakteristik | Symbol Symbol | Pb-Free (SnAgCu) Assembly | | | Unit Einheit |
|-------------------------------------------------------------------|------------------|---------------------------|----------------|---------|-----------------|
| | | Minimum | Recommendation | Maximum | |
| Ramp-up rate to preheat*) 25 °C to 150 °C | | | 2 | 3 | K/s |
| Time t_S T_{Smin} to T_{Smax} | t_S | 60 | 100 | 120 | s |
| Ramp-up rate to peak*) T_{Smax} to T_P | | | 2 | 3 | K/s |
| Liquidus temperature | T_L | 217 | | | °C |
| Time above liquidus temperature | t_L | | 80 | 100 | s |
| Peak temperature | T_P | | 245 | 260 | °C |
| Time within 5 °C of the specified peak temperature $T_P - 5$ K | t_p | 10 | 20 | 30 | s |
| Ramp-down rate* T_P to 100 °C | | | 3 | 6 | K/s |
| Time 25 °C to T_P | | | | 480 | s |

All temperatures refer to the center of the package, measured on the top of the component

* slope calculation DT/Dt : Dt max. 5 s; fulfillment for the whole T-range

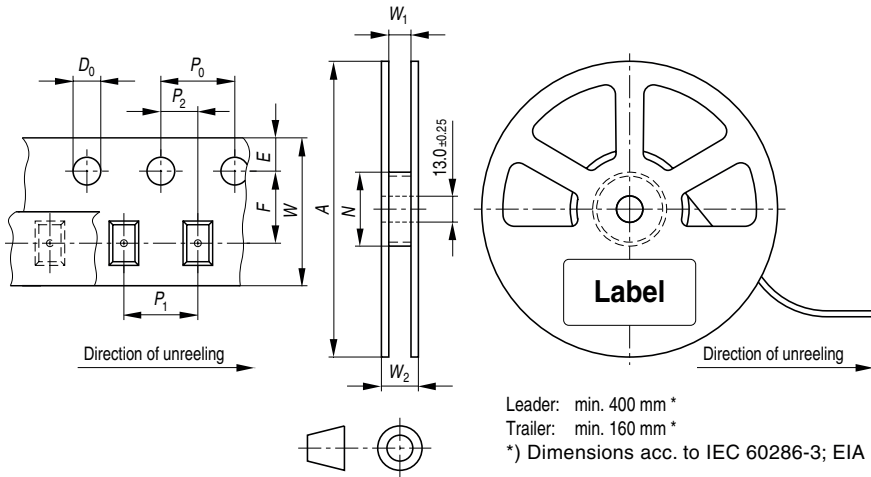
Taping ⁷⁾ page 24Gurtung ⁷⁾ Seite 24

C67062-A0037-B1-03

Tape and Reel

Gurtverpackung

12 mm tape with 2000 pcs. on \varnothing 180 mm reel



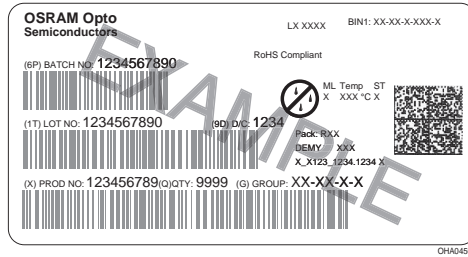
Tape dimensions in mm

| W | P ₀ | P ₁ | P ₂ | D ₀ | E | F |
|------------------|----------------|--------------------------|----------------|----------------|------------|------------|
| 12 + 0.3 / - 0.1 | 4 ± 0.1 | 4 ± 0.1 or 8 ± 0.1 | 2 ± 0.05 | 1.5 ± 0.1 | 1.75 ± 0.1 | 5.5 ± 0.05 |

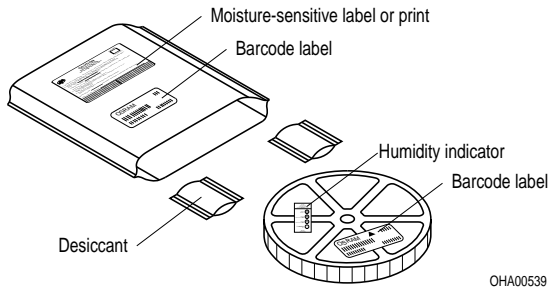
Reel dimensions in mm

| A | W | N _{min} | W ₁ | W _{2max} |
|-----|----|------------------|----------------|-------------------|
| 180 | 12 | 60 | 12.4 + 2 | 18.4 |

Barcode-Product-Label (BPL) Barcode-Produkt-Etikett (BPL)



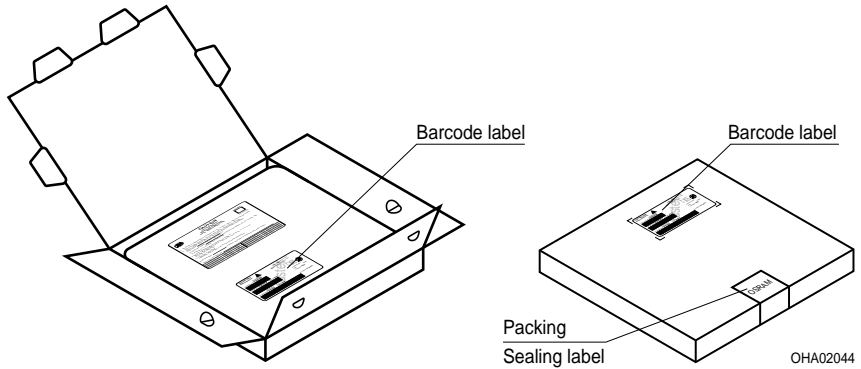
Dry Packing Process and Materials Trockenverpackung und Materialien



Note: Moisture-sensitive product is packed in a dry bag containing desiccant and a humidity card. Regarding dry pack you will find further information in the internet and in the Short Form Catalog in chapter "Tape and Reel" under the topic "Dry Pack". Here you will also find the normative references like JEDEC.

Anm.: Feuchteempfindliche Produkte sind verpackt in einem Trockenbeutel zusammen mit einem Trockenmittel und einer Feuchteindikatorkarte. Bezüglich Trockenverpackung finden Sie weitere Hinweise im Internet und in unserem Short Form Catalog im Kapitel "Gurtung und Verpackung" unter dem Punkt "Trockenverpackung". Hier sind Normenbezüge, unter anderem ein Auszug der JEDEC-Norm, enthalten.

Transportation Packing and Materials Kartonverpackung und Materialien



Dimensions of transportation box in mm

| Width Breite | Length Länge | Height Höhe |
|-----------------|-----------------|----------------|
| 195 ± 5 | 195 ± 5 | 30 ± 5 |

Notes

The evaluation of eye safety occurs according to the standard IEC 62471:2008 ("photobiological safety of lamps and lamp systems"). Within the risk grouping system of this CIE standard, the LED specified in this data sheet fall into the class Exempt group (exposure time 10000 s). Under real circumstances (for exposure time, eye pupils, observation distance), it is assumed that no endangerment to the eye exists from these devices. As a matter of principle, however, it should be mentioned that intense light sources have a high secondary exposure potential due to their blinding effect. As is also true when viewing other bright light sources (e.g. headlights), temporary reduction in visual acuity and afterimages can occur, leading to irritation, annoyance, visual impairment, and even accidents, depending on the situation.

Subcomponents of this LED are silverplated. Silver is discoloring when being exposed to environments containing high concentrations of aggressive substances. Corroded silver may lead to a worsening of the optical performance of the LED and can in the worst case lead to a failure of the LED. Do not expose this LED to aggressive atmospheres. Note, that corrosive gases may as well be emitted from materials close to the LED in the final product.

For further application related informations please visit www.osram-os.com/appnotes

Hinweise

Die Bewertung der Augensicherheit erfolgt nach dem Standard IEC 62471:2008 ("photobiological safety of lamps and lamp systems"). Im Risikogruppensystem dieser CIE- Norm erfüllen die in diesem Datenblatt angegebenen LEDs folgende Gruppenanforderung - Exempt group (Expositions-dauer 10000 s). Unter realen Umständen (für Expositions-dauer, Augen-pupille, Betrachtungs-abstand) geht damit von diesen Bauelementen keinerlei Augengefährdung aus. Grundsätzlich sollte jedoch erwähnt werden, dass intensive Lichtquellen durch ihre Blendwirkung ein hohes sekundäres Gefahrenpotenzial besitzen. Nach einem Blick in eine helle Lichtquelle (z.B. Autoscheinwerfer), kann ein temporär eingeschränktes Sehvermögen oder auch Nachbilder zu Irritationen, Belästigungen, Beeinträchtigungen oder sogar Unfällen führen.

Einzelkomponenten dieser LED sind silberbeschichtet. Silberoberflächen werden durch korrosive Substanzen verändert. Korrodiertes Silber kann zu einer Verschlechterung der optischen Eigenschaften und im schlimmsten Fall zum Ausfall der LED führen. Diese LED darf aggressiven Bedingungen nicht ausgesetzt werden. Es ist zu beachten, dass korrosive Gase auch von Materialien emittiert werden können, die sich im Endprodukt in unmittelbarer Umgebung der LED befinden.

Für weitere applikationsspezifische Informationen besuchen Sie bitte www.osram-os.com/appnotes

Disclaimer

Attention please!

The information describes the type of component and shall not be considered as assured characteristics.

Terms of delivery and rights to change design reserved.

Due to technical requirements components may contain dangerous substances.

For information on the types in question please contact our Sales Organization.

If printed or downloaded, please find the latest version in the Internet.

Packing

Please use the recycling operators known to you. We can also help you – get in touch with your nearest sales office.

By agreement we will take packing material back, if it is sorted. You must bear the costs of transport. For packing material that is returned to us unsorted or which we are not obliged to accept, we shall have to invoice you for any costs incurred.

Components used in life-support devices or systems must be expressly authorized for such purpose!

Critical components* may only be used in life-support devices** or systems with the express written approval of OSRAM OS.

*) A critical component is a component used in a life-support device or system whose failure can reasonably be expected to cause the failure of that life-support device or system, or to affect its safety or the effectiveness of that device or system.

**) Life support devices or systems are intended (a) to be implanted in the human body, or (b) to support and/or maintain and sustain human life. If they fail, it is reasonable to assume that the health and the life of the user may be endangered.

Disclaimer

Bitte beachten!

Lieferbedingungen und Änderungen im Design vorbehalten. Aufgrund technischer Anforderungen können die Bauteile Gefahrstoffe enthalten. Für weitere Informationen zu gewünschten Bauteilen, wenden Sie sich bitte an unseren Vertrieb. Falls Sie dieses Datenblatt ausgedruckt oder heruntergeladen haben, finden Sie die aktuellste Version im Internet.

Verpackung

Benutzen Sie bitte die Ihnen bekannten Recyclingwege. Wenn diese nicht bekannt sein sollten, wenden Sie sich bitte an das nächstgelegene Vertriebsbüro. Wir nehmen das Verpackungsmaterial zurück, falls dies vereinbart wurde und das Material sortiert ist. Sie tragen die Transportkosten. Für Verpackungsmaterial, das unsortiert an uns zurückgeschickt wird oder das wir nicht annehmen müssen, stellen wir Ihnen die anfallenden Kosten in Rechnung.

Bauteile, die in lebenserhaltenden Apparaten und Systemen eingesetzt werden, müssen für diese Zwecke ausdrücklich zugelassen sein!

Kritische Bauteile* dürfen in lebenserhaltenden Apparaten und Systemen** nur dann eingesetzt werden, wenn ein schriftliches Einverständnis von OSRAM OS vorliegt.

*) Ein kritisches Bauteil ist ein Bauteil, das in lebenserhaltenden Apparaten oder Systemen eingesetzt wird und dessen Defekt voraussichtlich zu einer Fehlfunktion dieses lebenserhaltenden Apparates oder Systems führen wird oder die Sicherheit oder Effektivität dieses Apparates oder Systems beeinträchtigt.

**) Lebenserhaltende Apparate oder Systeme sind für (a) die Implantierung in den menschlichen Körper oder (b) für die Lebenserhaltung bestimmt. Falls Sie versagen, kann davon ausgegangen werden, dass die Gesundheit und das Leben des Patienten in Gefahr ist.

Glossary

- 1) **Brightness:** Brightness groups are tested at a current pulse duration of 25 ms and a tolerance of $\pm 11\%$.
- 2) **Chromaticity coordinate groups:** Chromaticity coordinate groups are tested at a current pulse duration of 25 ms and a tolerance of ± 0.01 .
- 3) **Forward Voltage:** Forward voltages are tested at a current pulse duration of 1 ms and a tolerance of ± 0.1 V.
- 4) **Thermal Resistance:** $R_{th\ max}$ is based on statistic values (6σ).
- 5) **Typical Values:** Due to the special conditions of the manufacturing processes of LED, the typical data or calculated correlations of technical parameters can only reflect statistical figures. These do not necessarily correspond to the actual parameters of each single product, which could differ from the typical data and calculated correlations or the typical characteristic line. If requested, e.g. because of technical improvements, these typ. data will be changed without any further notice.
- 6) **Relative Brightness Curve:** In the range where the line of the graph is broken, you must expect higher brightness differences between single LEDs within one packing unit.
- 7) **Tolerance of Measure:** Unless otherwise noted in drawing, tolerances are specified with ± 0.1 and dimensions are specified in mm.

Glossar

- 1) **Helligkeit:** Helligkeitswerte werden mit einer Stromeinprägedauer von 25 ms und einer Genauigkeit von $\pm 11\%$ ermittelt.
- 2) **Farbortgruppen:** Farbortgruppen werden mit einer Stromeinprägedauer von 25 ms und einer Genauigkeit von $\pm 0,01$ ermittelt.
- 3) **Durchlassspannung:** Spannungswerte werden mit einer Stromeinprägedauer von 1 ms und einer Genauigkeit von $\pm 0,1$ V ermittelt.
- 4) **Wärmewiderstand:** $R_{th\ max}$ basiert auf statistischen Werten (6σ).
- 5) **Typische Werte:** Wegen der besonderen Prozessbedingungen bei der Herstellung von LED können typische oder abgeleitete technische Parameter nur aufgrund statistischer Werte wiedergegeben werden. Diese stimmen nicht notwendigerweise mit den Werten jedes einzelnen Produktes überein, dessen Werte sich von typischen und abgeleiteten Werten oder typischen Kennlinien unterscheiden können. Falls erforderlich, z.B. aufgrund technischer Verbesserungen, werden diese typischen Werte ohne weitere Ankündigung geändert.
- 6) **Relative Helligkeitskurve:** Im gestrichelten Bereich der Kennlinien muss mit erhöhten Helligkeitsunterschieden zwischen Leuchtdioden innerhalb einer Verpackungseinheit gerechnet werden.
- 7) **Maßtoleranz:** Wenn in der Zeichnung nicht anders angegeben, gilt eine Toleranz von $\pm 0,1$. Maße werden in mm angegeben.

Published by OSRAM Opto Semiconductors GmbH
Leibnizstraße 4, D-93055 Regensburg
www.osram-os.com © All Rights Reserved.

EU RoHS and China RoHS compliant product



此产品符合欧盟 RoHS 指令的要求；
按照中国的相关法规和标准，不含有毒有害物质或元素。