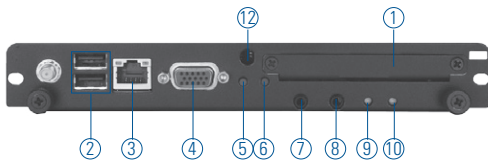


OPS830

Intel® Atom™ Cedarview Open Pluggable Specification (OPS) Digital Signage Player

OPS830-D2550



- | | |
|------------------|-----------------------------|
| 1. 2.5" HDD Slot | 7. Audio (Line-out) |
| 2. USB 2.0 x 2 | 8. Audio (Mic-in) |
| 3. Ethernet | 9. Power indicator |
| 4. VGA | 10. HDD indicator |
| 5. Power switch | 11. JAE TX-25 |
| 6. Reset | 12. WiFi antenna (optional) |



Specifications

Main System	CPU	Intel® Atom™ D2550/N2600 processor
	Chipset	Intel® NM10
	System Memory	1 x 204-pin DDR3-1066 SO-DIMM max. up to 4 GB (D2550)
	Storage	1 x 2.5" SATA HDD tray
	BIOS	AMI UEFI BIOS
I/O	Watchdog Timer	255 levels, 1 ~ 255 sec.
	2 x USB 2.0	
	1 x 10/100/1000Mbps Ethernet	
	1 x VGA	
	1 x power on/off button	
	1 x reset button	
	1 x Audio (Line-out/ Mic-in)	
	1 x DVI/HDMI (via OPS JAE interconnector)	
	1 x DisplayPort (via OPS JAE interconnector) (Pure DP)	
	3 x USB 2.0 (via OPS JAE interconnector)	
1 x Audio (Line-out, via OPS JAE interconnector)		
1 x UART (TX/RX, via OPS JAE interconnector)		
Indicator	1 x LED for system power ON	
	1 x LED for HDD active	
WiFi	Supports 802.11 b/g/n (optional)	
Expansion Slot	1 x PCI Express Mini Card	
Dimensions	200 mm (7.87") (W) x 119 mm (4.68") x 30 mm (1.18")	
Packing Dimensions	270 mm (10.63") (W) x 197 mm (7.76") x 70 mm (2.76")	
Weight (net/gross)	1 kg (2.21lb)/1.5 kg (3.31lb)	
Environmental	0°C ~ +45°C (+32°F ~ +113°F) (with airflow 0.7 m/s) (OPS830-D2550)	
	0°C ~ +40°C (+32°F ~ +104°F) (with airflow 1.2 m/s) (OPS830-N2600)	

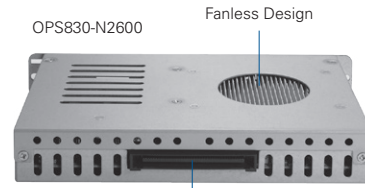
Packing

- 1 x driver CD
- 1 x HDD mylar x 1
- 1 x thermal grease
- 1 x thermal pad
- 2 x M3 x 4 screw
- 2 x M4 x 6 screw

Features

- Open Pluggable Specification (OPS) compliance
- Built-in Intel® Atom™ processor D2550/N2600 (fanless)
- DDR3-1066 SO-DIMM max. up to 4 GB by D2550
- PCIe Mini Card supported
- Easy maintenance: pluggable HDD and easy-to-change DRAM
- VGA connector

OPS830-N2600



▲ Rear view

Optional EOS Installation

Windows® 7 Embedded

Optional OS Installation

Windows® 7

Ordering Information

Standard

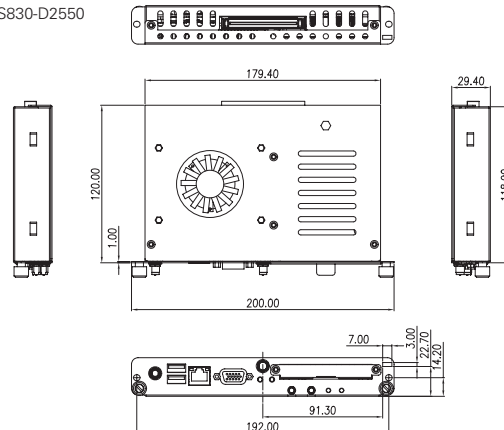
OPS830-D2550	OPS digital signage player supports Intel® Atom™ processor D2550
OPS830-N2600	Fanless OPS digital signage player supports Intel® Atom™ processor N2600

Optional

AX93157	OPS docking board
---------	-------------------

Dimensions

OPS830-D2550



* All specifications and photos are subject to change without notice.

Mouser Electronics

Authorized Distributor

Click to View Pricing, Inventory, Delivery & Lifecycle Information:

[Axiomtek:](#)

[E293157100](#) [OPS830](#) [OPS830-D2550-RC-NP](#) [OPS830-N2600](#)