

CGA9Q4C0G2W104J280KA

TDK Item Description : CGA9Q4C0G2W104T***



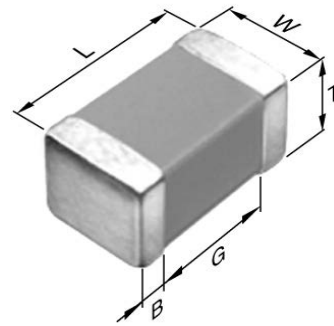
Equivalent C5750C0G2W104J for Automotive

Application & Main Feature

Automotive Grade (Mid Volatge (100 to 630V))

Series

CGA9(5750) [EIA CC2220]



Dimensions

L	5.70mm +/-0.4mm
W	5.00mm +/-0.4mm
T	2.80mm +/-0.3mm
B	0.20mm Min.
G	

Temperature Characteristic

C0G (-55 to 125 degC 0+/-30ppm/degC)

Rated Voltage

2W (450Vdc)

Capacitance

100nF

Capacitance Tolerance

J (+/-5%)

Q Factor

1000 Min.

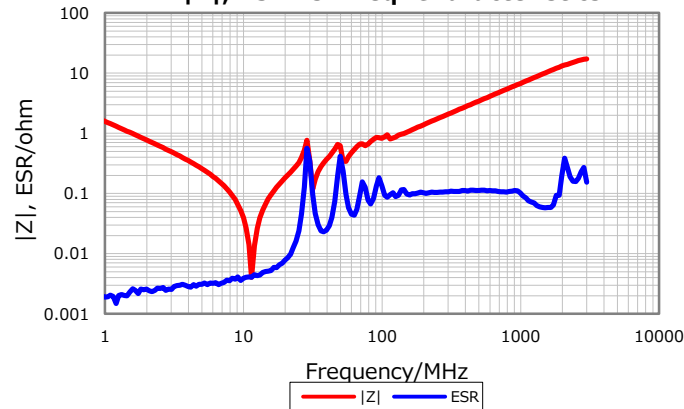
Insulation Resistance

5Gohm Min

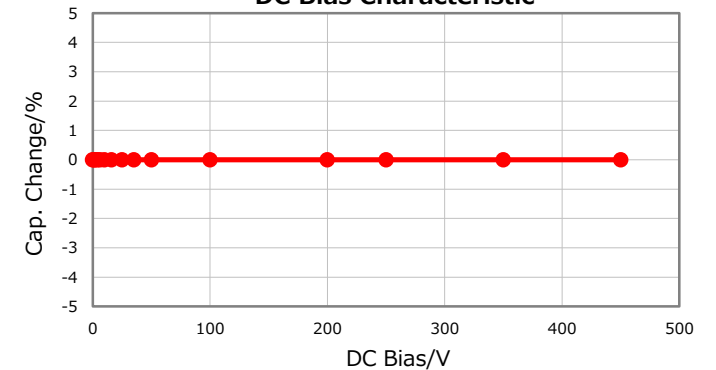
AEC-Q200

Yes

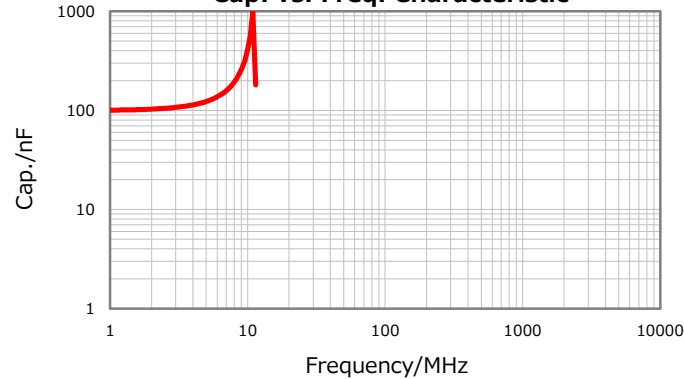
|Z|, ESR vs. Freq. Characteristics



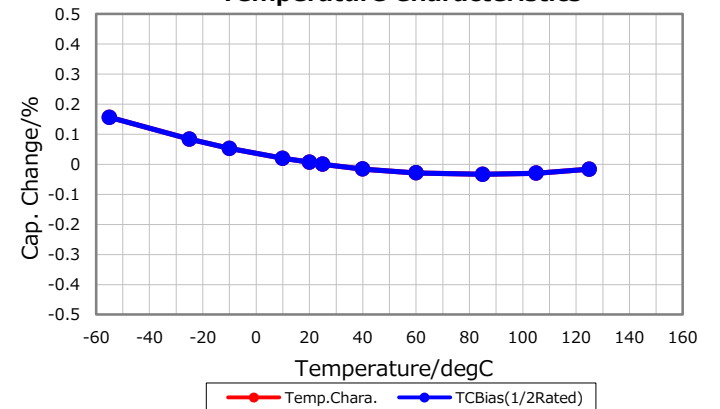
DC Bias Characteristic



Cap. vs. Freq. Characteristic



Temperature Characteristics



Characterization Sheet (Multilayer Ceramic Chip Capacitors)



All specifications are subject to change without notice.

April 13, 2016