

WSA 400 SERIES, 20 WATTS

HIGH EFFICIENCY, COMPACT DESIGN SWITCHMODE TECHNOLOGY



A-CASE

MODEL NUMBER	VDC	AMPS	WATTS
WSA433	3.3	3.3	11
WSA440	3.9	3.3	13
WSA445	4.5	3.3	15
WSA450	5	3.3	17
WSA455	5.5	3.1	17
WSA460	6	2.8	17
WSA465	6.5	2.6	17
WSA470	7	2.4	17
WSA475	7.5	2.3	17
WSA480	8	2.1	17
WSA490	9	2	18
WSA410	10	1.8	18
WSA411	11	1.7	19
WSA412	12	1.7	20
WSA413	13	1.5	20
WSA414	14	1.4	20
WSA415	15	1.3	20
WSA416	16	1.25	20
WSA418	18	1.1	20
WSA420	20	1	20
WSA422	22	0.9	20
WSA424	24	0.83	20
WSA426	26	0.77	20
WSA428	28	0.71	20
WSA430	30	0.67	20
WSA432	32	0.62	20
WSA436	36	0.56	20
WSA440	40	0.5	20
WSA444	44	0.45	20
WSA448	48	0.42	20

*Add a suffix, "M" for Medical or leave it blank for non-medical.

UL, cUL, TUV Certified CE marked for European Compliance CEC / DOE EISA 2007 Compliant

Standard Specifications

- Universal Input Voltage: 90-264Vac 47-63Hz class I or II
- 75 to 85% efficiency
- Output Voltage Tolerance: +/-2.5% Typical, +/-5% Max, from Full Load to No Load.
- Operating Temperature: 0 - 40°C
- Maximum Output Ripple:
 - 3.3 - 6V: 50mVp-p
 - 6.1 - 22V: 100mVp-p
 - 22.1 - 32V: 150mVp-p
 - 32.1 - 48V: 250mVp-p
- Designed for Continuous Duty
- Hold-Up Time : 25mS Minimum @ 120 Vin
- Short Circuit and Over Load Protection
- SELV Output
- MTBF Calculated > 100,000 Hours @ 40°C
- 2 Hour Minimum Loaded Burn-in at 40°C Ambient for standard output cord configurations
- Leakage current compliant to IEC60601-1 Category B and BF
- 5 Year Warranty

Available Features

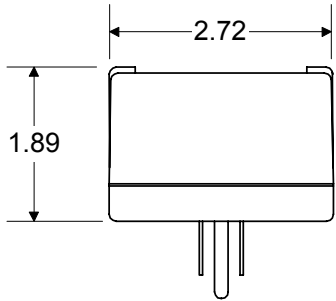
- Expanded Operating Temperatures
- 400 Hz Input Rating
- DC Input Rating
- Additional Noise and/or Surge Protection
- LED Power On Indicator
- Fixed-in-place Input Cord
- Wall Plug-in configuration
- Extended Hold-Up Time
- Output Cord Sets and Connector Configurations
- Case Colors, Markings & Logos
- 16 Hour Burn-in

All specifications are typical at nominal input, full load, and 25°C unless otherwise noted

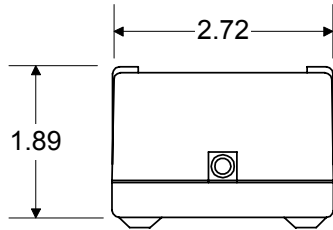
WSA 400 SERIES, 20 WATTS

HIGH EFFICIENCY, COMPACT DESIGN SWITCHMODE TECHNOLOGY

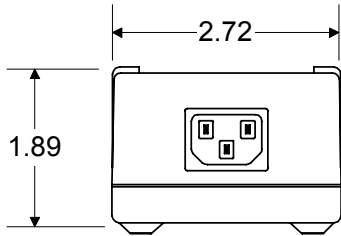
A CASE ENCLOSURE



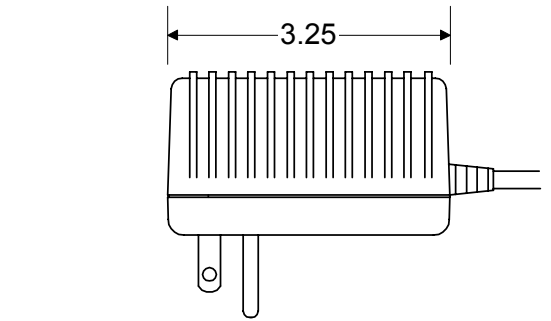
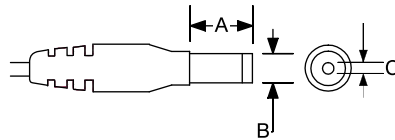
A. WALL PLUG-IN OPTION



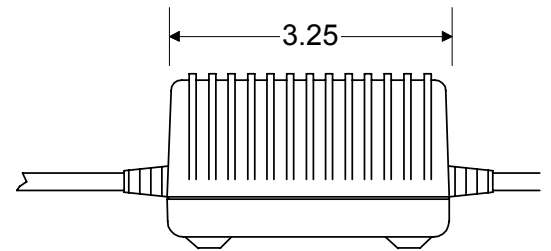
B. INPUT CORD OPTION



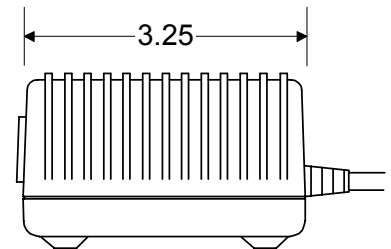
C. IEC 320 OPTION



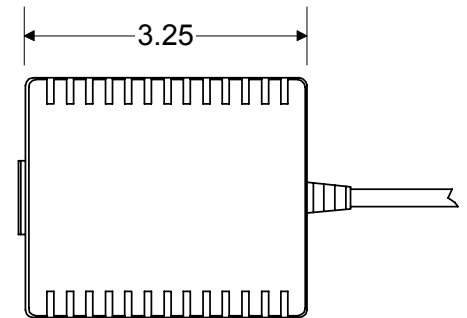
ALSO AVAILABLE WITH INTERNATIONAL PLUG-IN CONFIGURATION



VARIOUS INPUT AND OUTPUT CORD OPTIONS AVAILABLE



IEC 320 OPTION USED FOR MOST INTERNATIONAL APPLICATIONS



TOP SURFACE MARKING AREA = 2.63 X 1.75

Regulatory Compliance

Designed for use with medical, information technology, and general purpose equipment to the following standards: All models are approved to:

- UL 60601-1 / 60950-1
- CSA 22.2 601-1 / 60950-1
- TUV EN 60601-1 / 60950-1
- CE LVD directive
- *cUL Mark

EMC: All models meet European EMC directive and FCC requirements. Meets all EMC requirements from EN60601-1-2.

Emissions: Level B requirements of FCC CFR 47 part 15 and CISPR11 (EN55011) and CISPR22 (EN55022), EN61000-6-3 (light industrial) and line harmonic emissions EN61000-3-2.

Immunity: CISPR24 (EN55024), EN61326 and EN61000-3-2.

Certification records are available upon project request.