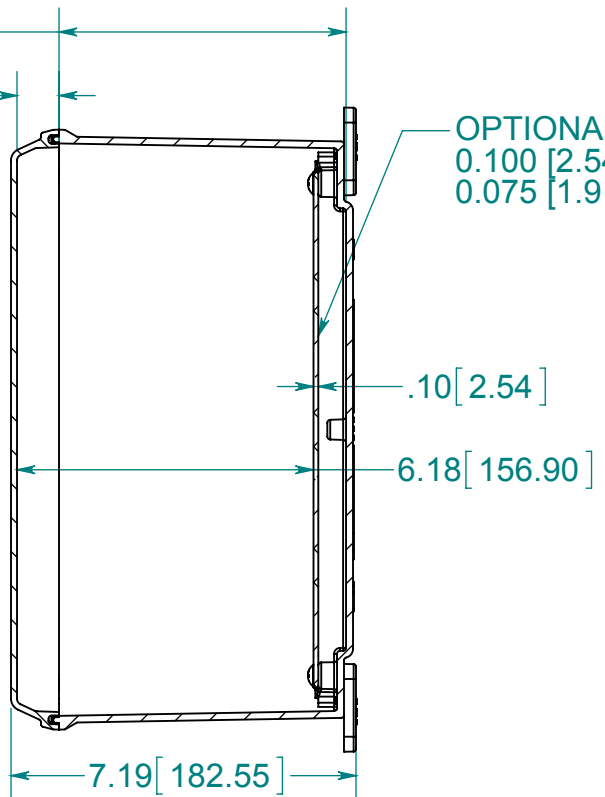
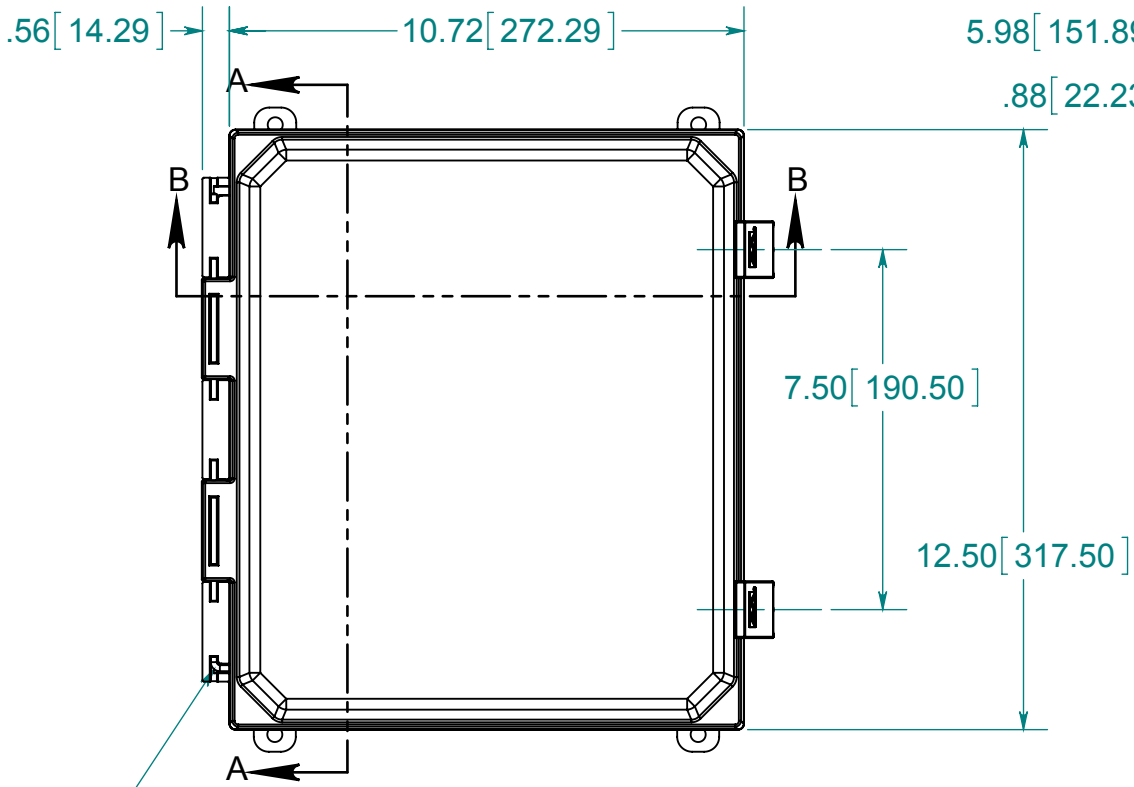
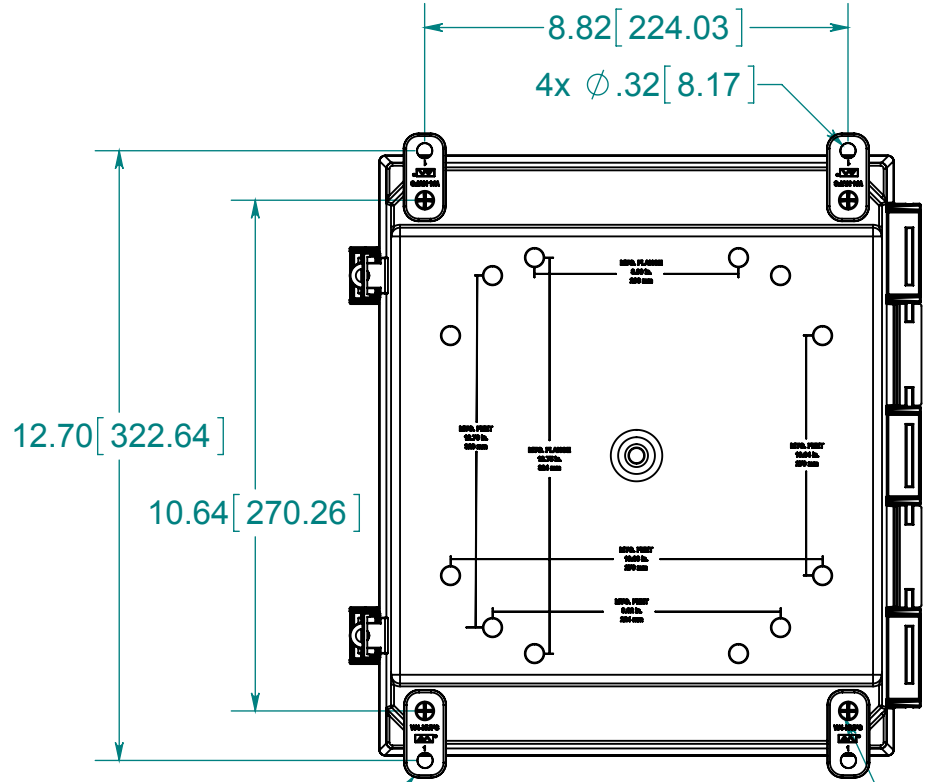


DATE	REV.	DESCRIPTION	DR	CK	REL



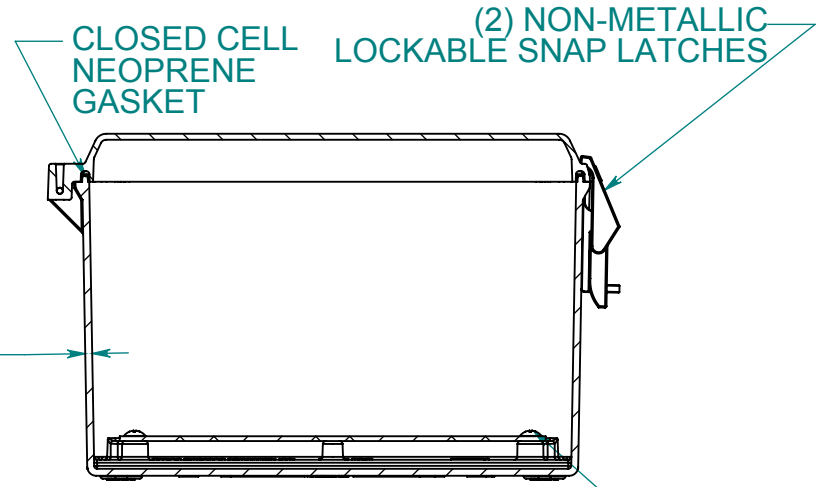
OPTIONAL BACK PANEL SHOWN
 0.100 [2.54mm] TH'K- ALUMINUM
 0.075 [1.91mm] TH'K- WHITE STEEL



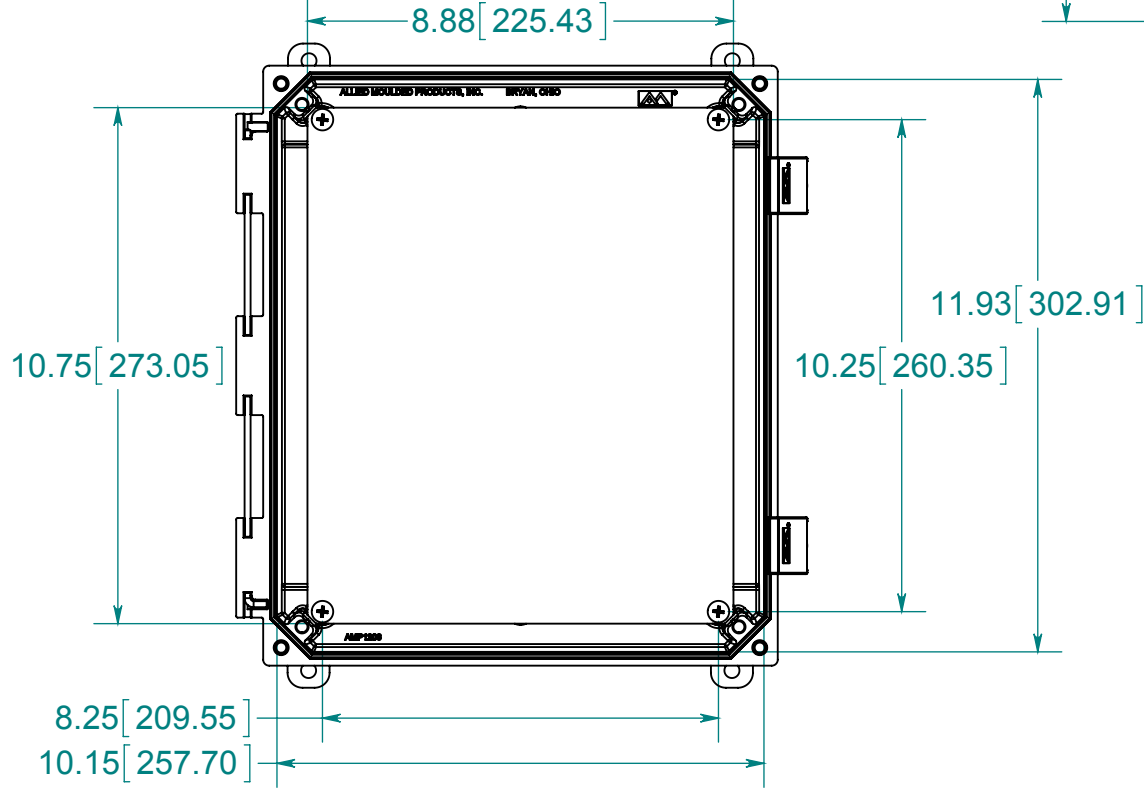
FRONT VIEW
 WITH COVER REMOVED
 AND BACK PANEL DISPLAYED

STAINLESS STEEL
 HINGE PIN

(4) POLYCARBONATE
 FEET
 (4) EACH #10-32 BRASS
 INSERTS, AND STAINLESS
 STEEL FLANGE AND
 FEET SCREWS



SECTION B-B



MATERIAL:
 BOX- INJECTED POLYCARBONATE
 STANDARD COVER- INJECTED POLYCARBONATE
 CLEAR COVER - INJECTED POLYCARBONATE

(4) EACH #10-32 BRASS
 INSERTS AND PLATED
 CARBON STEEL TRUSS SCREW



PART No. PCJ12106NL
 for more information visit
www.hammfg.com
 Data subject to change without notice
 Drawing Not to Scale