



MBR10200C

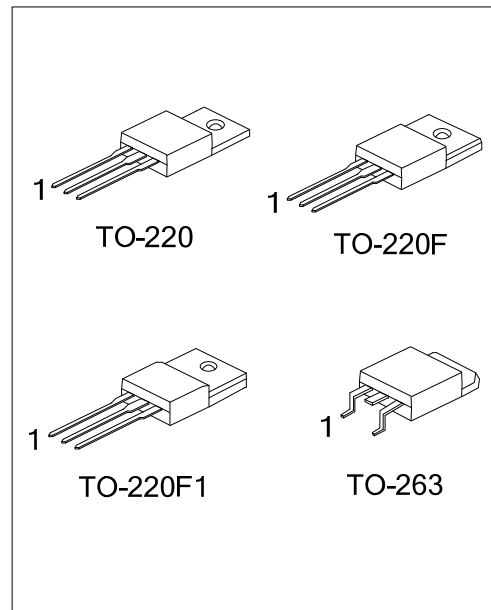
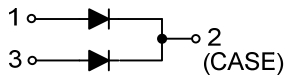
DIODE

SCHOTTKY BARRIER RECTIFIER

■ **FEATURES**

- * 10 amps total (5 amps per diode leg)
- * Guard ring for transient protection
- * Low forward voltage drop
- * High surge capability
- * Low power loss/High efficiency

■ **SYMBOL**



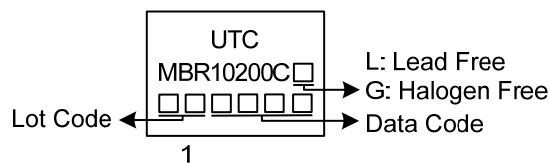
■ **ORDERING INFORMATION**

Ordering Number		Package	Pin Assignment			Packing
Lead Free	Halogen Free		1	2	3	
MBR10200CL-TA3-T	MBR10200CG-TA3-T	TO-220	A	K	A	Tube
MBR10200CL-TF3-T	MBR10200CG-TF3-T	TO-220F	A	K	A	Tube
MBR10200CL-TF1-T	MBR10200CG-TF1-T	TO-220F1	A	K	A	Tube
MBR10200CL-TQ2-T	MBR10200CG-TQ2-T	TO-263	A	K	A	Tube
MBR10200CL-TQ2-R	MBR10200CG-TQ2-R	TO-263	A	K	A	Tape Reel

Note: Pin Assignment: A: Anode K: Cathode

<p>MBR10200CL-TA3-T</p>	<p>(1) T: Tube, R: Tape Reel (2) TA3: TO-220, TF3: TO-220F, TF1: TO-220F1 TQ2: TO-263 (3) L: Lead Free, G: Halogen Free and Lead Free</p>
-------------------------	--

■ **MARKING**



■ ABSOLUTE MAXIMUM RATINGS ($T_A=25^{\circ}\text{C}$, unless otherwise specified)

PARAMETER	SYMBOL	RATINGS	UNIT
Maximum Repetitive Peak Reverse Voltage	V_{RRM}	200	V
Maximum non-repetitive Peak Reverse Voltage	V_{RM}	200	V
Maximum DC Blocking Voltage	V_R	200	V
Average Forward Rectified Output Current	I_O	Per Leg	5
		Total	10
Non-Repetitive Peak Forward Surge Current 8.3ms Single Half-Sine-Wave	I_{FSM}	150	A
Junction Capacitance (Note 4)	C_J	300	pF
Operating Temperature	T_J	-65 ~ +150	$^{\circ}\text{C}$
Storage Temperature	T_{STG}	-65 ~ +150	$^{\circ}\text{C}$

■ THERMAL DATA

PARAMETER	SYMBOL	RATINGS	UNIT
Junction to Ambient	θ_{JA}	60	$^{\circ}\text{C}/\text{W}$
Junction to Case	θ_{JC}	TO-220/TO-263	2
		TO-220F/TO-220F1	4

■ ELECTRICAL CHARACTERISTICS (Note 3)

PARAMETER	SYMBOL	TEST CONDITIONS	MIN	TYP	MAX	UNIT
Instantaneous Forward Voltage Drop	V_F	$I_F=5\text{A}, T_C=25^{\circ}\text{C}$			0.95	V
		$I_F=5\text{A}, T_C=125^{\circ}\text{C}$			0.85	V
		$I_F=10\text{A}, T_C=25^{\circ}\text{C}$			1	V
		$I_F=10\text{A}, T_C=125^{\circ}\text{C}$			0.95	V
Instantaneous Reverse Current	I_R	Rated DC Voltage, $T_C=25^{\circ}\text{C}$			500	μA
		Rated DC Voltage, $T_C=125^{\circ}\text{C}$			20	mA

Notes: 1. Absolute maximum ratings are those values beyond which the device could be permanently damaged.

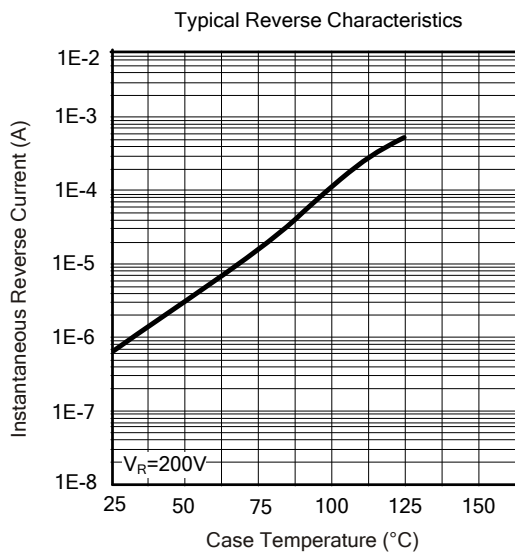
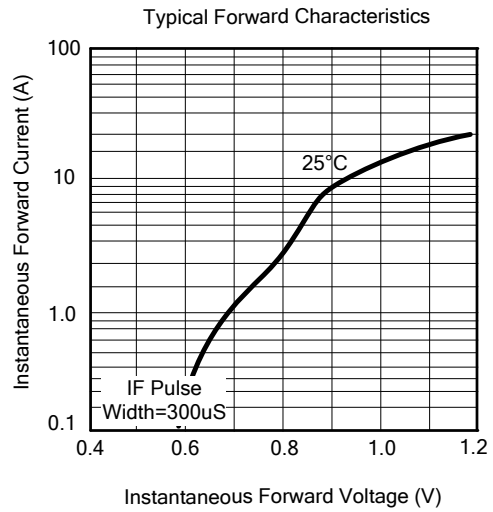
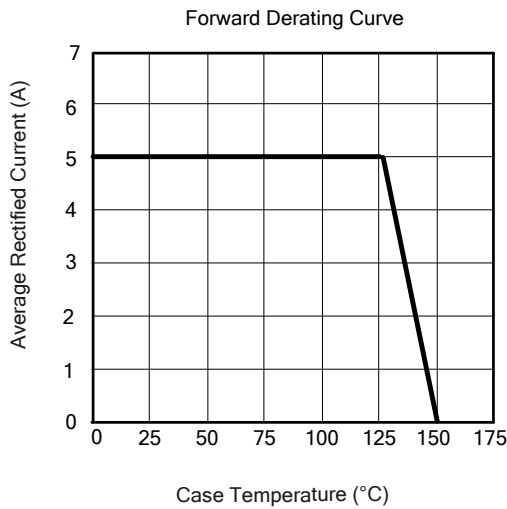
Absolute maximum ratings are stress ratings only and functional device operation is not implied.

2. $2.0\mu\text{s}$ Pulse Width, $f = 1.0\text{KHz}$.

3. Pulse Test: Pulse Width = $300\mu\text{s}$, Duty Cycle $\leq 2.0\%$.

4. Applied $V_R = 4.0\text{V}$ and $f = 1.0\text{MHz}$.

■ TYPICAL CHARACTERISTICS



UTC assumes no responsibility for equipment failures that result from using products at values that exceed, even momentarily, rated values (such as maximum ratings, operating condition ranges, or other parameters) listed in products specifications of any and all UTC products described or contained herein. UTC products are not designed for use in life support appliances, devices or systems where malfunction of these products can be reasonably expected to result in personal injury. Reproduction in whole or in part is prohibited without the prior written consent of the copyright owner. The information presented in this document does not form part of any quotation or contract, is believed to be accurate and reliable and may be changed without notice.