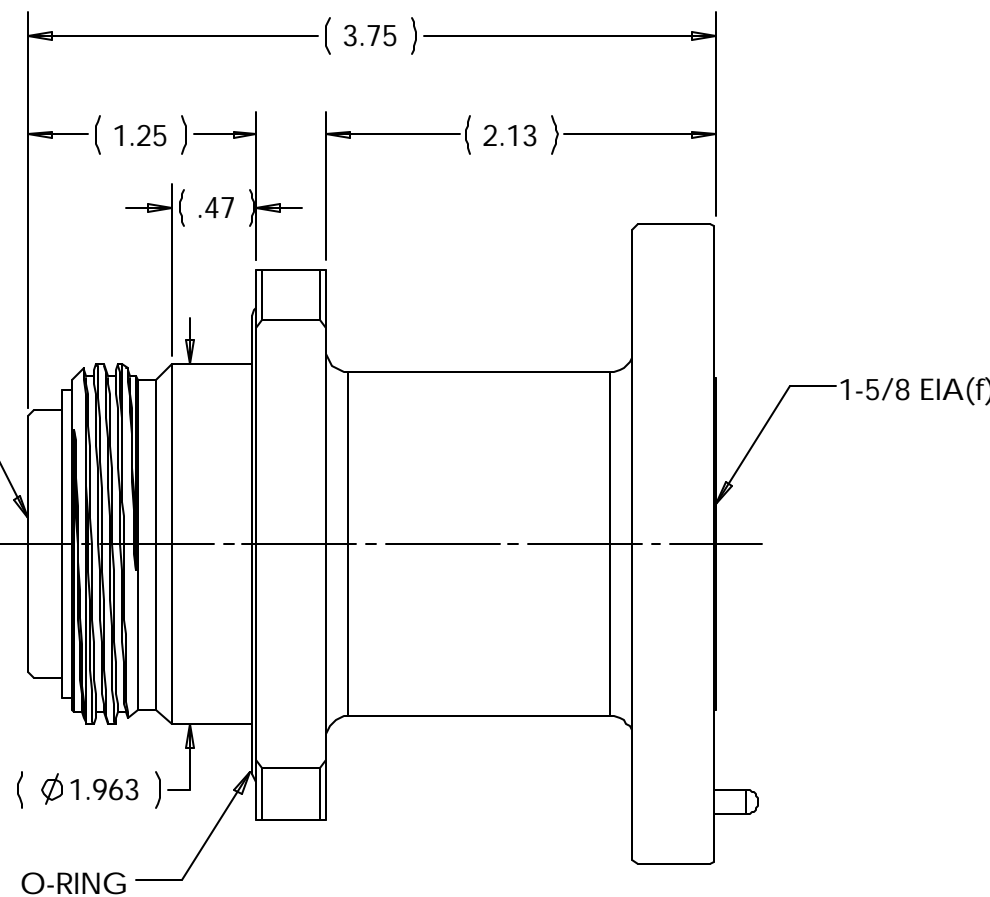
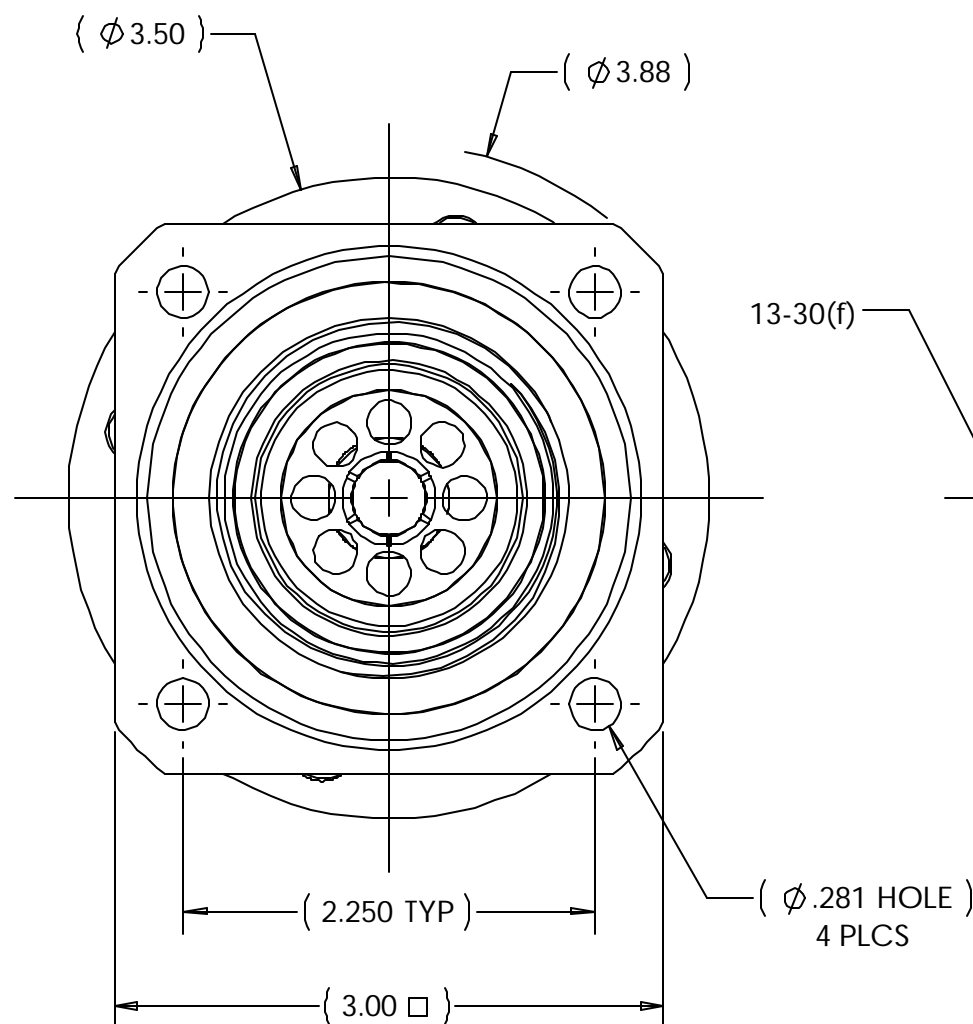
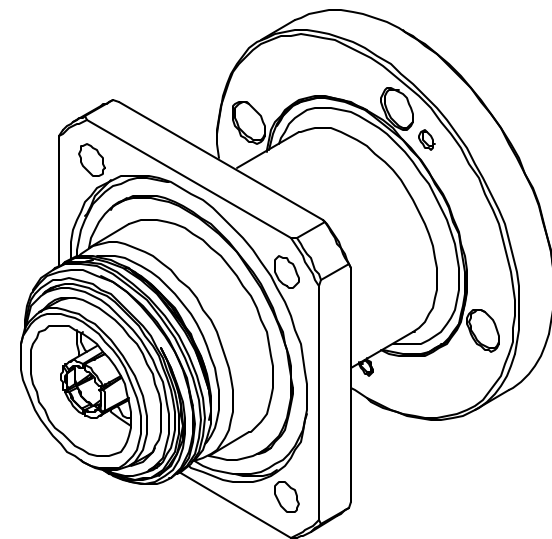


This document, including the design, configuration and mechanical features revealed herein are the sole, confidential and proprietary property of TRU Corporation. Reproduction or use thereof, in whole or part, is prohibited without the prior written consent of TRU Corporation.

REV.	DESCRIPTION	DATE	APPROVED
-	ORIGINAL ISSUE	12/31/09	AM



ENGINEERING DATA:

ELECTRICAL:

IMPEDANCE: 50 OHMS NOMINAL

INTERFACE:

1-5/8 EIA: PER EIA RS-225 AND MIL-DTL-24044

13-30(f): PER IEC 60169-5

MATERIAL:

BODY & COUPLING RING: BRASS

CENTER CONTACTS: BRASS & BERYLLIUM COPPER

O-RING & GASKET: SILCONE RUBBER

INSULATORS: TEFLON

SCREW, ALIGNMENT PIN & LOCKWASHER: STEEL

SNAP RING: PHOSPHOR BRONZE

FINISH:


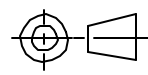
BODY & COUPLING RING: NICKEL PLATED

CENTER CONTACTS: SILVER PLATED

SCREW & LOCKWASHER: PASSIVATED

NOTES:

1. UNLESS OTHERWISE SPECIFIED; ALL DIMENSIONS ARE REFERENCE ONLY.

MATERIAL	DO NOT SCALE DRAWING	DRAWN MVC	DATE 12/29/09	 TRU CORPORATION 245 LYNNFIELD STREET, PEABODY, MA 01960 The Custom Interconnect Leader™
	UNLESS OTHERWISE SPECIFIED: DIMENSIONS ARE IN INCHES	ENG APPR. AM	DATE 12/31/09	
COMMENTS:	TOLERANCES: FRACTIONS: ±1/64 .XX ±.01 .XXX ±.005 ANGLES: ±1/2° MACHINED SURFACES: 63/√	MFG APPR.	DATE	TITLE: CONNECTOR, COAXIAL, RF 13-30(f) to 1-5/8 EIA(f) ADAPTER
	surface area: sq inch	weight: lbs	OTHER APPR.	DATE
		THIRD ANGLE PROJECTION 		SIZE B
		CAGE CODE: 92180		DWG. NO. TRU-11443
		SCALE: 1:1		REV -
		SHEET 1 OF 1		