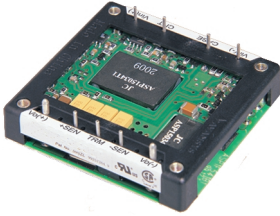


# 50-150 Watts

## AV60C

Total Power: 50-150 Watts  
 Input Voltages: 48V  
 No. of Outputs: Single



### Electrical Specs

#### Input

Input range	36-75 VDC
Input Surge	100V / 100ms
Efficiency	83%@5V

#### Output

Load regulation	0.2% max
Line regulation	0.5% max
Ripple and noise	150mV max (5V) 250mV max (15V)
Output voltage adjust range	±10% of nominal output
Transient Response	(15V) 1% max deviation with 50% to 75% full load 200 μS (max) recovery
	(5V) 5% max deviation with 50% to 75% full load 250 μS (max) recovery

#### Control

Voltage Adjust Enable	90 to 110% TTL compatible (positive & negative enable options)
-----------------------	--

### Special Features

- Industry standard pin-out & performance 100°C baseplate temperature (no derating)
- Positive and negative enable function
- Low output ripple and noise
- Remote sense compensation
- Fixed frequency switching (300 kHz)

### Environmental

Operating case temperature range:

-40°C to +100°C

Storage temperature: -55°C to +125°C

MTBF: >2 million hours

### Safety

UL	UL1950
CSA	CSA22.2-950
TUV	EN60950

AMERICAS

5810 Van Allen Way  
 Carlsbad, CA 92008  
 Telephone: 760-930-4600  
 Facsimile: 760-930-0698

EUROPE

Astec House, Waterfront Business Park  
 Merry Hill, Dudley  
 West Midlands, DY5 1LX, UK  
 Telephone: 44 (1384) 842-211  
 Facsimile: 44 (1384) 843-355

ASIA

Units 2111-2116, Level 21  
 Tower1, Metroplaza  
 223, Hing Fong Road  
 Fwai Fong, New Territories  
 Hong Kong  
 Telephone: 852-2437-9662  
 Facsimile: 852-2402-4426



AV60C

## Ordering Information

Input Voltage	Output Voltage	Efficiency	Model Number
36-72V	3.3V @ 10A	81%	AV60C-048L-033F10
36-72V	5.0V @ 10A	84%	AV60C-048L-050F10
36-72V	12V @ 4.0A	85%	AV60C-048L-120F04
36-72V	15V @ 3.33A	86%	AV60C-048L-150F03
36-72V	3.3V @ 15A	81%	AV60C-048L-033F15
36-72V	5.0V @ 15A	85%	AV60C-048L-050F15
36-72V	12V @ 6.0A	86%	AV60C-048L-120F06
36-72V	15V @ 5.0A	87%	AV60C-048L-150F05
36-72V	3.3V @ 20A	81%	AV60C-048L-033F20
36-72V	5.0V @ 20A	85%	AV60C-048L-050F20
36-72V	12V @ 8.0A	87%	AV60C-048L-120F08
36-72V	15V @ 6.7A	87%	AV60C-048L-150F06
36-72V	3.3V @ 30A	81%	AV60C-048L-033F30
36-72V	5.0V @ 30A	85%	AV60C-048L-050F30
36-72V	12V @ 12.5A	87%	AV60C-048L-120F12
36-72V	15V @ 10.0A	87%	AV60C-048L-150F10

NOTES:

Enable Function

"N" = negative logic enable (without "N" = positive enable)

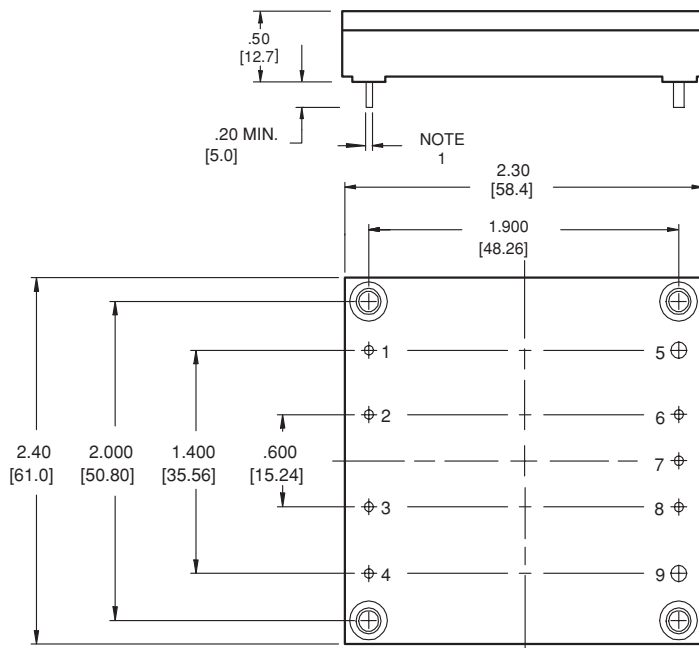
## Pin Assignments

Single Output

1. -Vin
2. Case
3. Enable (on/off)
4. +Vin
5. -5V Rtn
6. - Sense
7. Trim
8. + Sense
9. +5V Out

Notes:

1. All specifications are typical at nominal line, full load, and 25°C unless otherwise noted.
2. All specifications subject to change without notice. Mechanical drawings are for reference only.
3. Please refer to the Technical Reference Notes for more information.
4. Warranty: 1 yr



Mounting Inserts  
 M3 X .5 (4 places)

BOTTOM VIEW