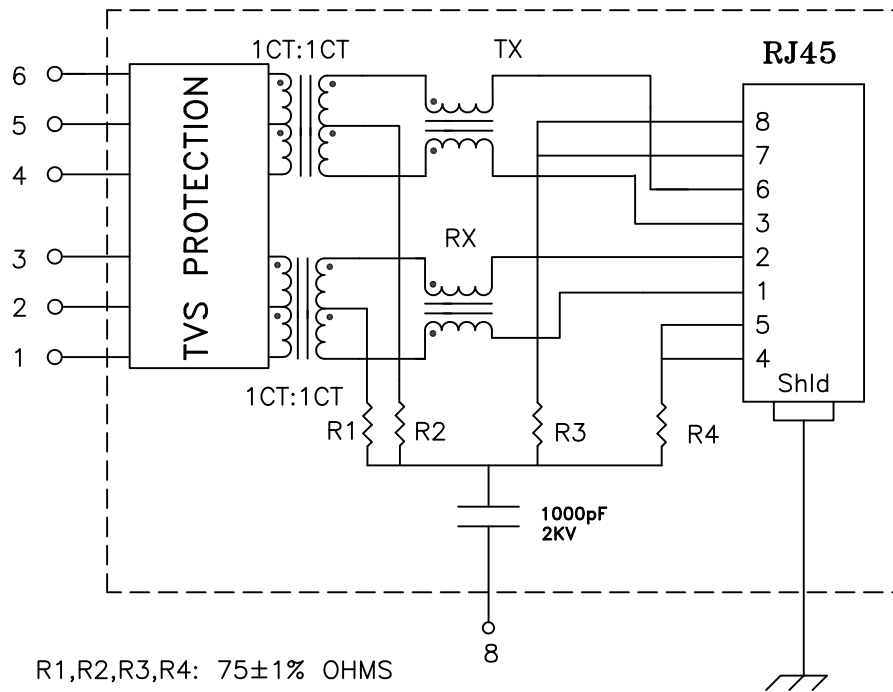


## Schematic:



## Electrical Specifications: @25°C

Isolation Voltage: 1500 Vrms (Input to Output)

Turns Ratio: TX 1CT:1CT ±3% RX 1CT:1CT ±3%

CABLE SIDE OCL: 350uH Minimum @100KHz 100mV 8mADC

Q: 18 MIN @100KHz 0.1V

Cw/w: 27pF Typical @100KHz 100mV

Insertion Loss (300KHz–100MHz): -1.00dB Max

Return Loss: @30MHz -18dB Minimum

@80MHz -12dB Minimum

### Notes:

1. Solderability: Leads shall meet MIL-STD-202G, Method 208H for solderability.
2. Flammability: UL94V-0
3. ASTM oxygen index: > 28%
4. UL Recognized Component: File Number E165866
5. Operating Temperature Range: All listed parameters are to be within tolerance from -40°C to +85°C
6. Storage Temperature Range: -55°C to +125°C
7. Aqueous wash compatible
8. Electrical and mechanical specifications 100% tested
9. RoHS Compliant Component
10. Designed to meet GR1089 Intra-Building Lightning Standards.

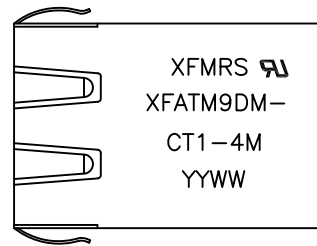
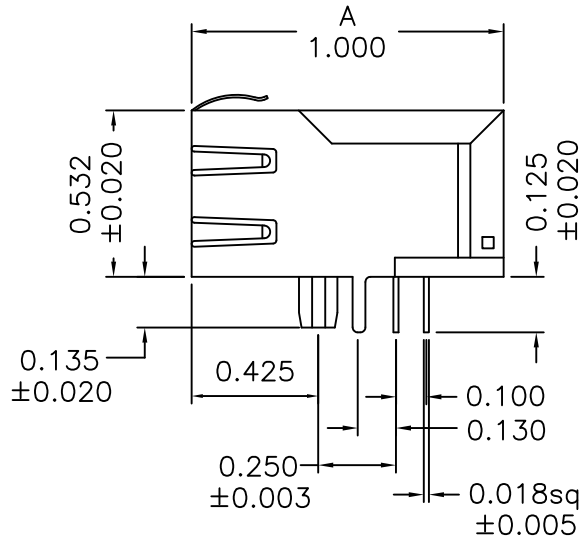
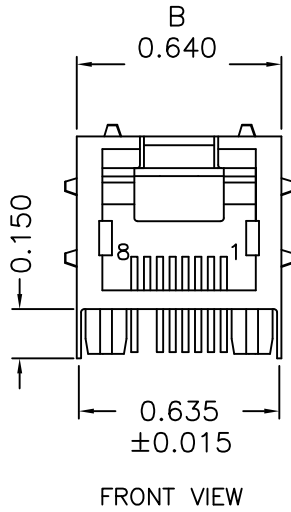
DOC REV: C/2

**PROPRIETARY:**

Document is the property of XFMRs Group & is not allowed to be duplicated without authorization.

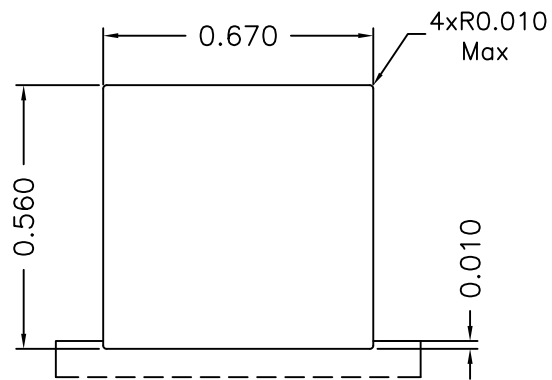
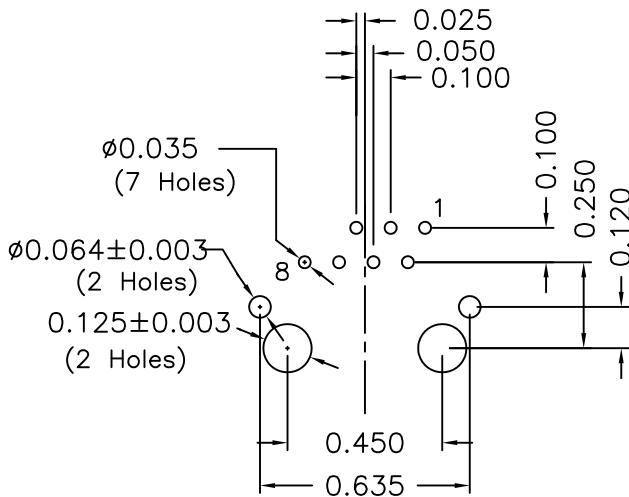
<b>XFMRs Inc.</b> www.XFMRs.com		Title: <b>SINGLE PORT COMBO</b>	
UNLESS OTHERWISE SPECIFIED		P/N:XFATM9DM-CT1-4M	REV. C
TOLERANCES: .xxx ±0.010		DWN. Feng	Aug-16-12
Dimensions in Inch		CHK. YK Liao	Aug-16-12
SHEET 1 OF 2		APP. Joe Huff	Aug-16-12

# Mechanical Dimensions:



\*\*\*Remove PIN#7

## Mounting Pattern:



RECOMMENDED PANEL CUTOUT

DOC REV: C/2

**XFMRs Inc.**  
www.XFMRS.com

Title: Mechanical Dimensions  
For TAB UB RJ45 COMBO

UNLESS OTHERWISE SPECIFIED  
TOLERANCES:  
.xxx ±0.010  
Dimensions in Inch

P/N: XFATM9DM-CT1-4M

REV. C

DWN.

Feng

Aug-16-12

CHK.

YK Liao

Aug-16-12

APP.

Joe Huff

Aug-16-12

**PROPRIETARY:**

Document is the property of XFMRs Group & is not allowed to be duplicated without authorization.

SHEET 2 OF 2