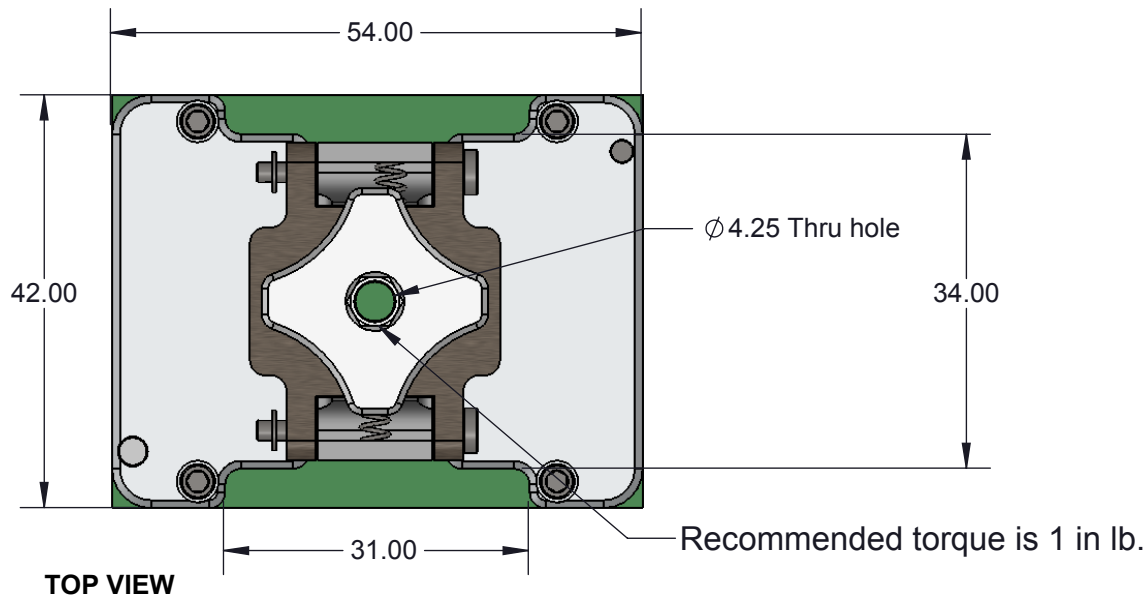
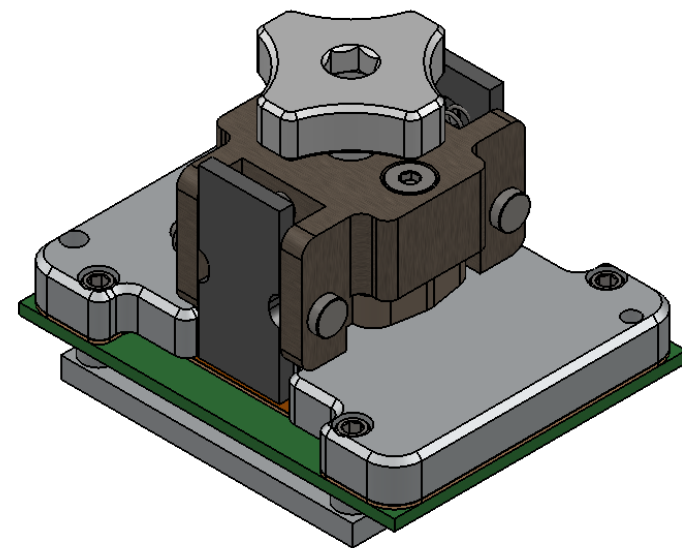
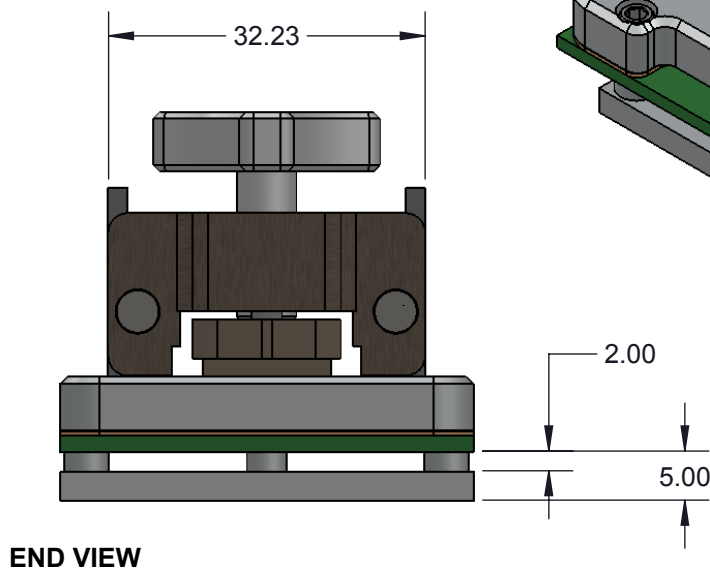
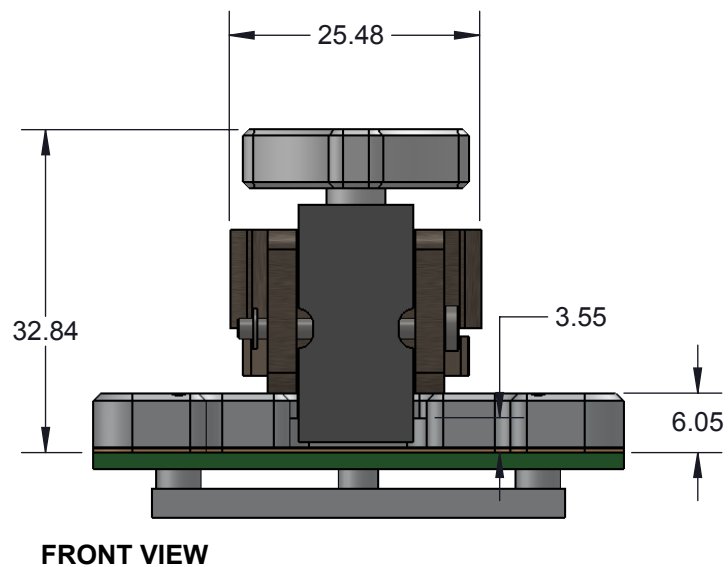


GHz BGA SOCKET - direct mount, solderless



Features


- Directly mounts to target PCB (needs tooling holes) with hardware
- High speed reliable elastomer connection
- Minimum real estate required
- Compression plate distributes forces evenly
- Easily removable double latch socket lid

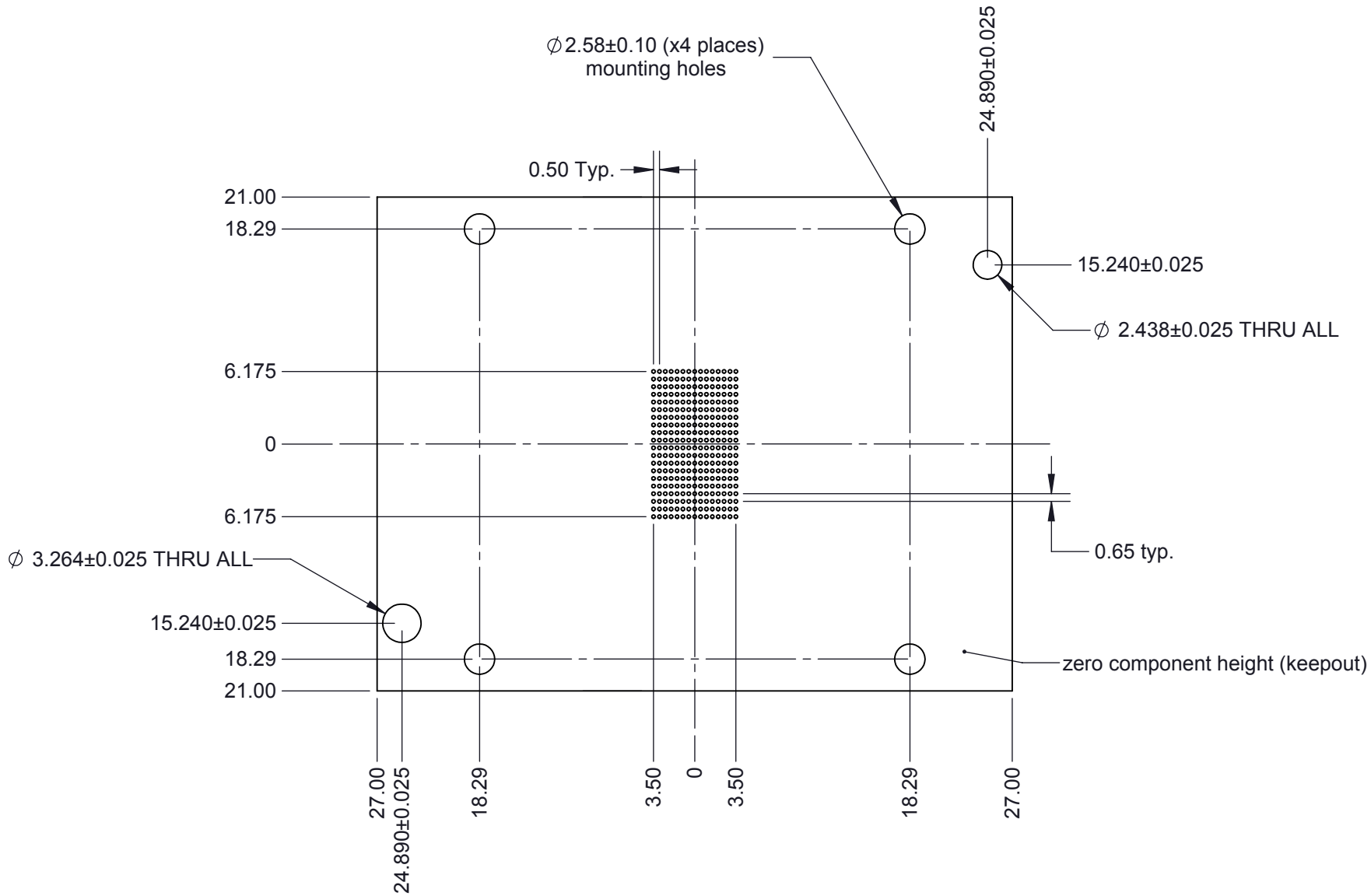


Description: Socket

Primary dimension units are millimeters, Secondary dimension units are [inches], Weight is in grams.

Tolerances: Hole diameters $\pm 0.03\text{mm}$ [$\pm 0.001''$], Pitches (from true position) $\pm 0.025\text{mm}$ [$\pm 0.001''$], substrate thickness tolerance $\pm 10\%$, all other tolerances $\pm 0.13\text{mm}$ [$\pm 0.005''$] unless stated otherwise. Materials and specifications are subject to change without notice.

 <p>CG-BGA-5019 Drawing</p> <p>Ironwood Electronics, Inc. Tele: (800) 404-0204 www.ironwoodelectronics.com</p>	<p>Material: N/A Finish: N/A Weight: 81.58</p>	STATUS: Released	SHEET: 1 OF 5	REV. A
		DRAWN BY: V. Panavala	SCALE: 1.3:1	
		FILE: CG-BGA-5019	DATE: 3/1/2013	




Description: Clamshell Elastomer socket 8x13.5mm, 15x20 array 0.5/0.65mm BGA

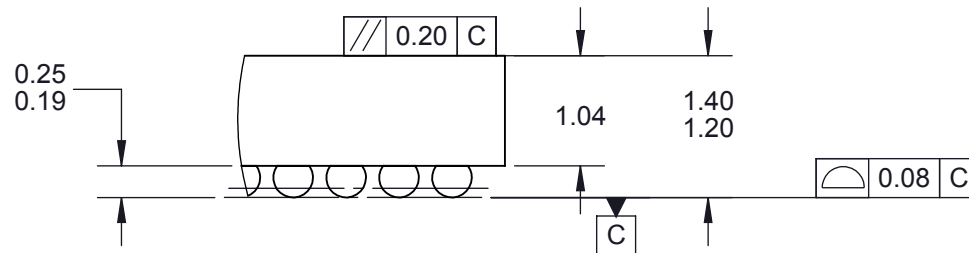
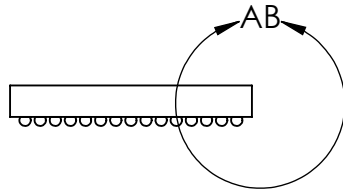
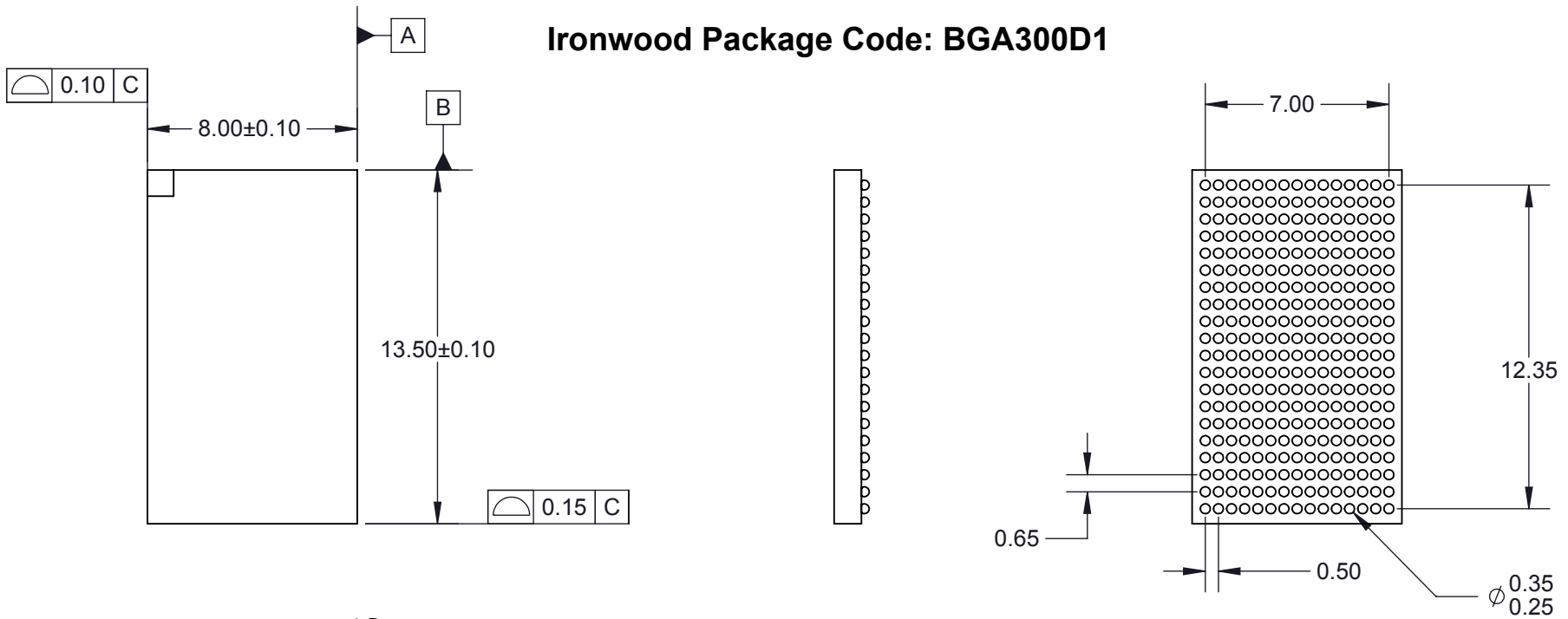
Primary dimension units are millimeters, Secondary dimension units are [inches].

Tolerances: Hole diameters ±0.03mm [±0.001"], Pitches (from true position) ±0.025mm [±0.001"], substrate thickness tolerance ±10%, all other tolerances ±0.13mm [±0.005"] unless stated otherwise. Materials and specifications are subject to change without notice.

Target PCB Recommendations
 Total thickness: 1.6mm min.
 Plating: Gold or Solder finish
 PCB Pad height: Same or higher than solder mask

 CG-BGA-5019 Specification Ironwood Electronics, Inc. Tele: (800) 404-0204 www.ironwoodelectronics.com	Material: N/A Finish: N/A Weight: 81.58	STATUS: Released	SHEET: 2 OF 5	REV. A
		DRAWN BY: V. Panavala	SCALE: 2:1	
		FILE: CG-BGA-5019	DATE: 3/1/2013	

Ironwood Package Code: BGA300D1




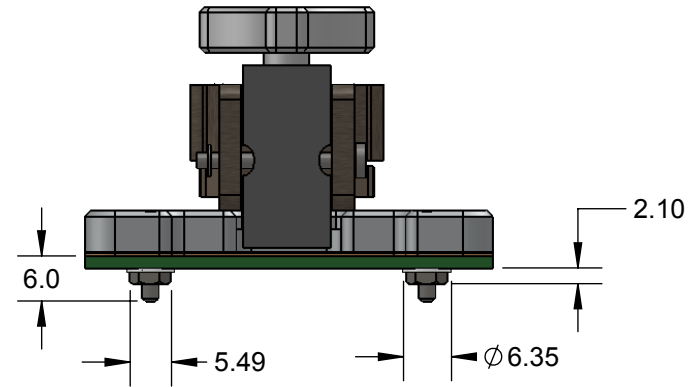
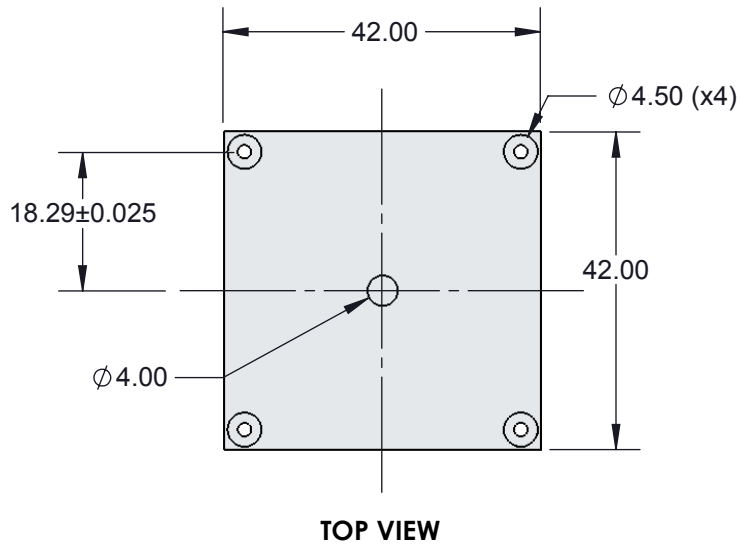
**DETAIL AB
SCALE 14 : 1**

Description: Clamshell Elastomer socket 8x13.5mm, 15x20 array 0.5/0.65mm BGA

Primary dimension units are millimeters, Secondary dimension units are [inches].

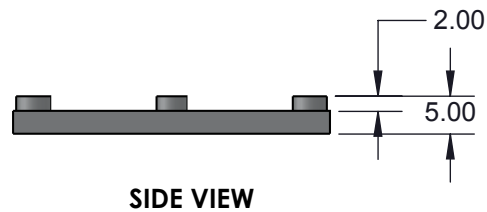
Tolerances: Hole diameters ± 0.03 mm [± 0.001 "], Pitches (from true position) ± 0.025 mm [± 0.001 "], substrate thickness tolerance $\pm 10\%$, all other tolerances ± 0.13 mm [± 0.005 "] unless stated otherwise. Materials and specifications are subject to change without notice.

 <p>CG-BGA-5019 Specification Ironwood Electronics, Inc. Tele: (800) 404-0204 www.ironwoodelectronics.com</p>	<p>Material: N/A Finish: N/A Weight: 81.58</p>	STATUS: Released	SHEET: 3 OF 5	REV. A
		DRAWN BY: V. Panavala	SCALE: 4:1	
		FILE: CG-BGA-5019	DATE: 3/1/2013	



Socket without backing plate.


Extra hardware will be provided

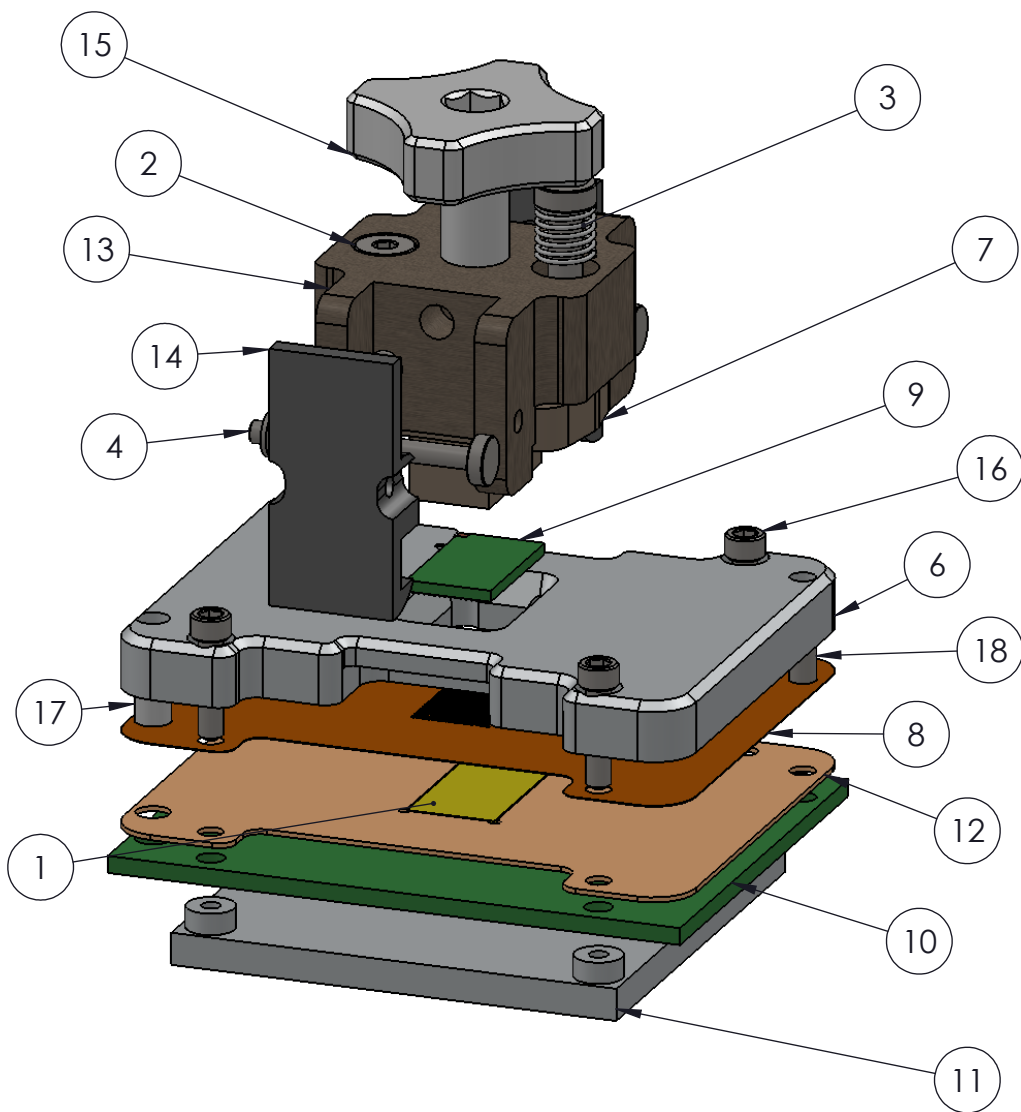


Description: Clamshell Elastomer socket 8x13.5mm, 15x20 array 0.5/0.65mm BGA

Primary dimension units are millimeters, Secondary dimension units are [inches].

Tolerances: Hole diameters $\pm 0.03\text{mm}$ [$\pm 0.001''$], Pitches (from true position) $\pm 0.025\text{mm}$ [$\pm 0.001''$], substrate thickness tolerance $\pm 10\%$, all other tolerances $\pm 0.13\text{mm}$ [$\pm 0.005''$] unless stated otherwise. Materials and specifications are subject to change without notice.

 <p>CG-BGA-5019 Specification Ironwood Electronics, Inc. Tele: (800) 404-0204 www.ironwoodelectronics.com</p>	<p>Material: N/A Finish: N/A Weight: 81.58</p>	STATUS: Released	SHEET: 4 OF 5	REV. A
		DRAWN BY: V. Panavala	SCALE: 1:1	
		FILE: CG-BGA-5019	DATE: 3/1/2013	




ITEM NO.	Description	Material
1	0.5mm thick, 0.05x 0.05mm pitch, 50mm sq, Z-axis conductive angled elastomer	20 Micron dia gold plated brass filaments arranged symetrically in a silicon rubber (63.5 degree angle), Thickness: 0.5mm
2	Screw, M3 x 12mm, Low Head Cap, SS	18-8 Stainless Steel
3	Spring Clamshell lid assembly	Steel Music Wire
4	Hinge Pin and Snap Ring, 2mm OD, 19mm long, SS	Stainless Steel (ferritic)
5	Precision Compression Spring, Zinc-Plated Music Wire, 1/2" Length, .12" OD, .016" Wire	Zinc Plated Music Wire
6	Socket Base CG Custom foot print	7075-T6 Aluminum Alloy
7	Chamshell Compression plate 8x13.5mm BGA	7075-T6 Aluminum Alloy
8	Ball guide 8x13.5mm, 15x20 array 0.5/0.65mm BGA	Kapton Polyimide/Cirlex
9	BGA Chip 8x13.5mm, 15x20 array 0.5/0.65mm pitch	Material <not specified>
10	PCB for 8x13.5mm, 15x20 array 0.65mm BGA	High Temp FR4
11	Backing plate Custom foot print	7075-T6 Alumium Alloy
12	Elastomer guide 8x13.5mm, 15x20 array 0.65mm BGA	Ultem 1000
13	CBT Dble Latch Lid, Ni Plate 12mm-7mm	7075-T6 Aluminum Alloy
14	Latch 6- 10mm Ni plated	7075-T6 Aluminum Alloy
15	M6x1 fluted knob compression screw 4.25mm thru hole	7075-T6 Aluminum Alloy
16	Screw, #2-56 x 3/8", Cap, STL	Alloy Steel
17	Plastic Dowel Pin 1/8" Diameter, 3/16" Length	PTFE (general)
18	Dowel Pin 3/32" Diameter, 3/16" Length 18-8 SS	Stainless Steel (18-8)

Description: Clamshell Elastomer socket 8x13.5mm, 15x20 array 0.5/0.65mm BGA

Primary dimension units are millimeters, Secondary dimension units are [inches].

Tolerances: Hole diameters $\pm 0.03\text{mm}$ [$\pm 0.001"$], Pitches (from true position) $\pm 0.025\text{mm}$ [$\pm 0.001"$], substrate thickness tolerance $\pm 10\%$, all other tolerances $\pm 0.13\text{mm}$ [$\pm 0.005"$] unless stated otherwise. Materials and specifications are subject to change without notice.

 CG-BGA-5019 Specification Ironwood Electronics, Inc. Tele: (800) 404-0204 www.ironwoodelectronics.com	Material: N/A Finish: N/A Weight: 81.58	STATUS: Released	SHEET: 5 OF 5	REV. A
		DRAWN BY: V. Panavala	SCALE: 3:1	
		FILE: CG-BGA-5019	DATE: 3/1/2013	