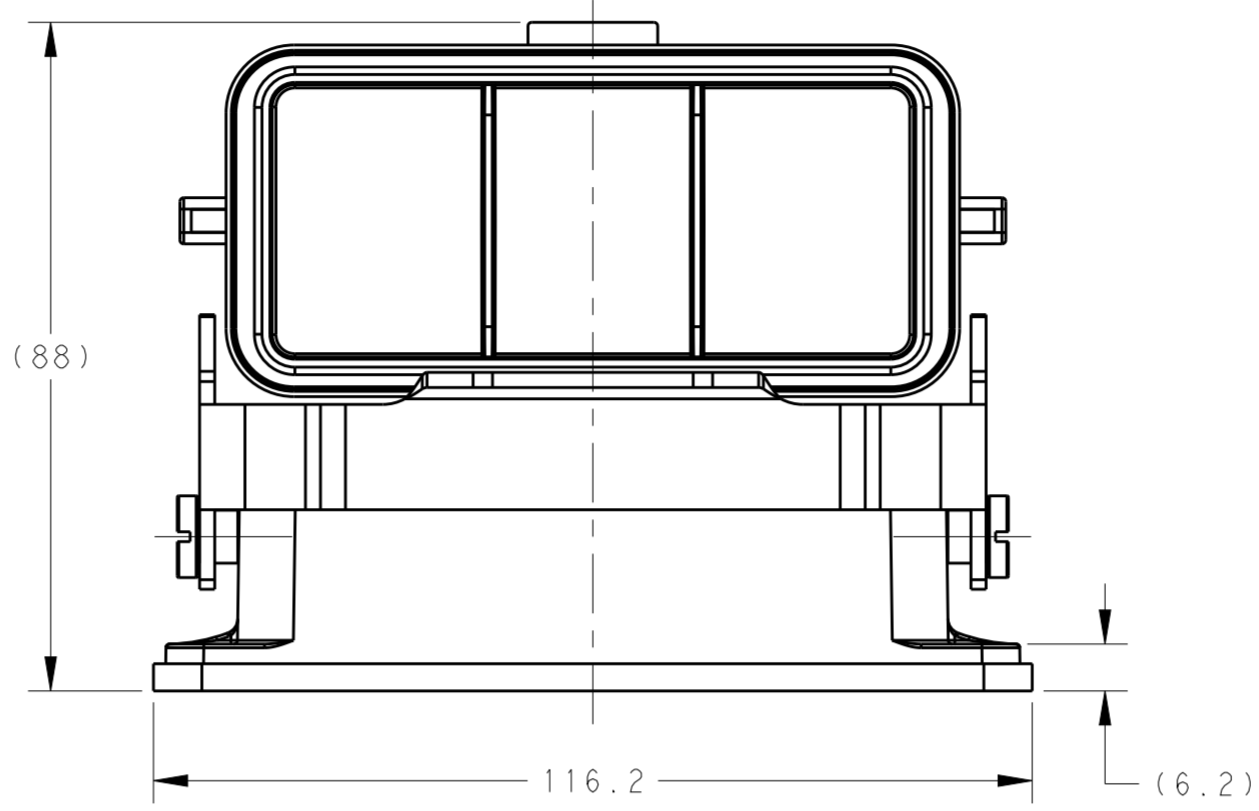
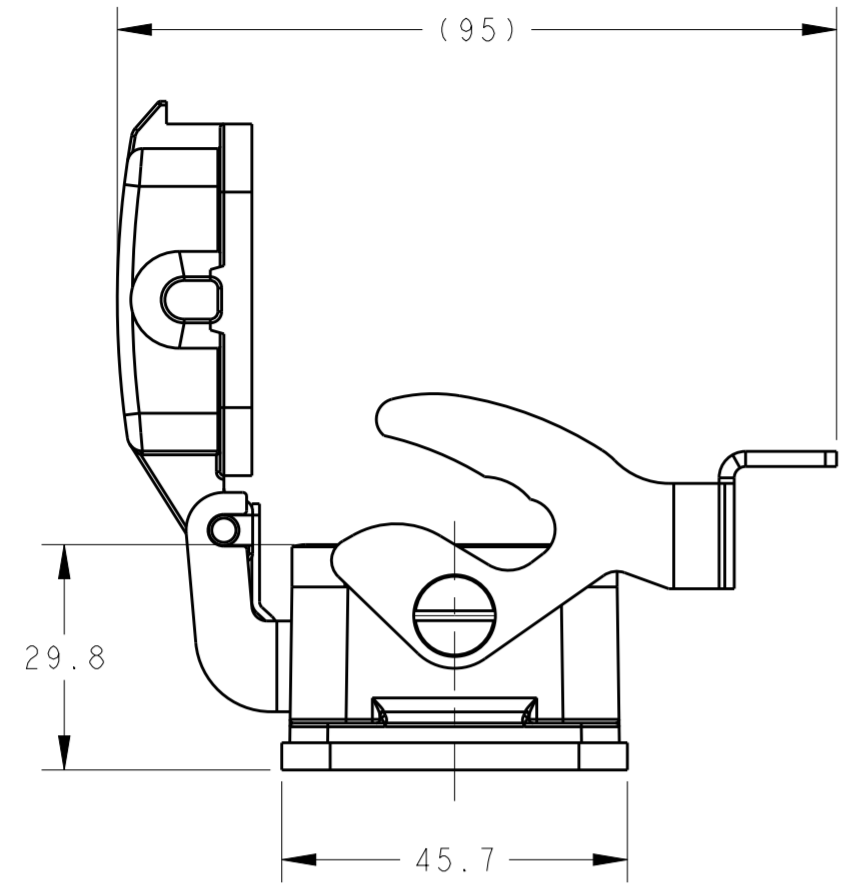


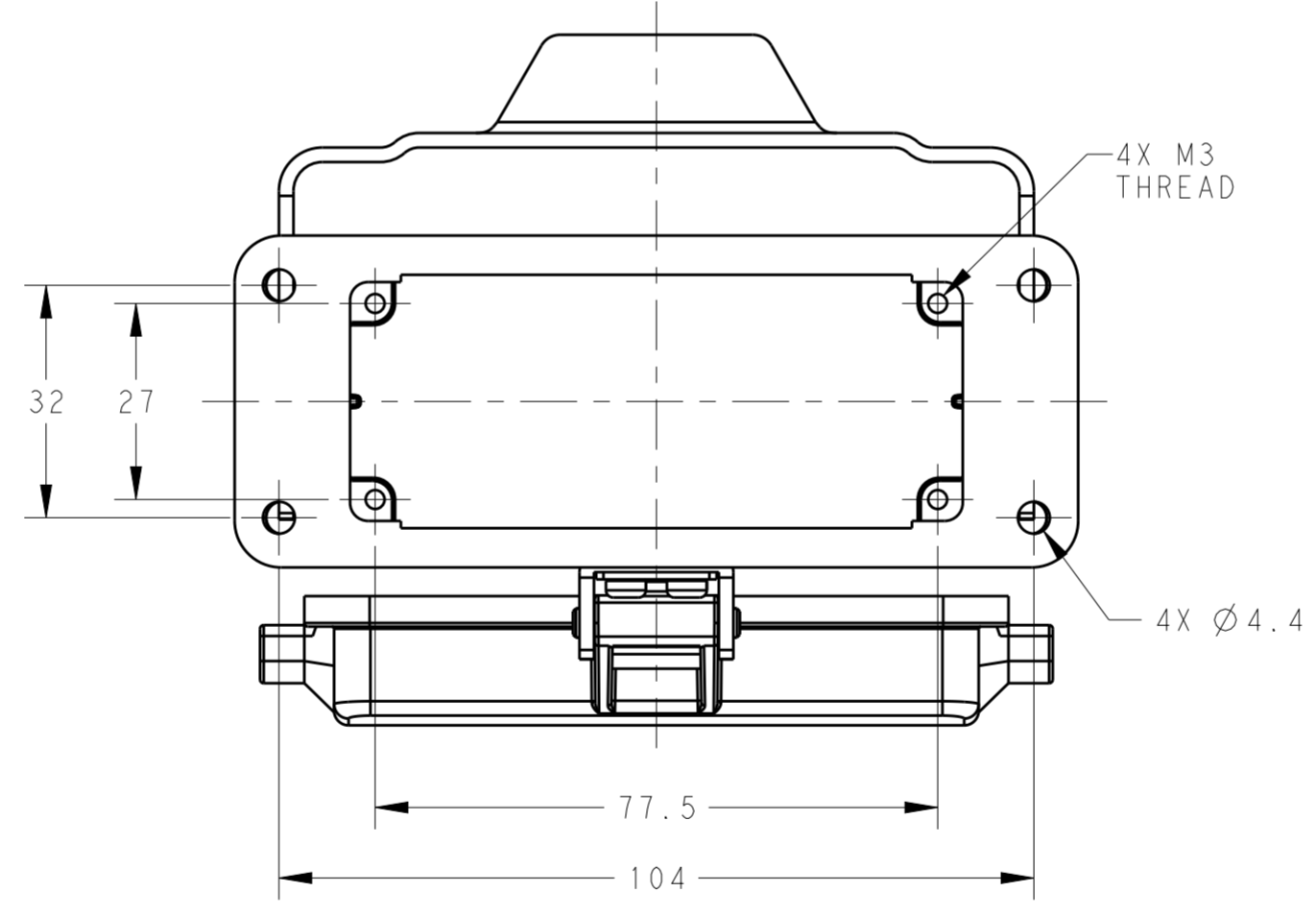
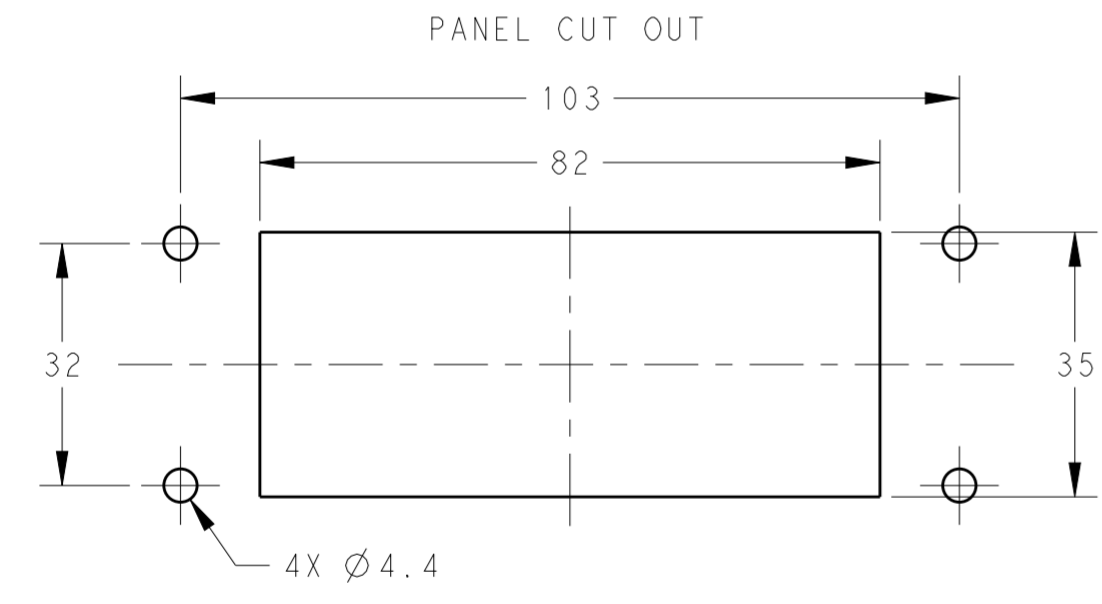
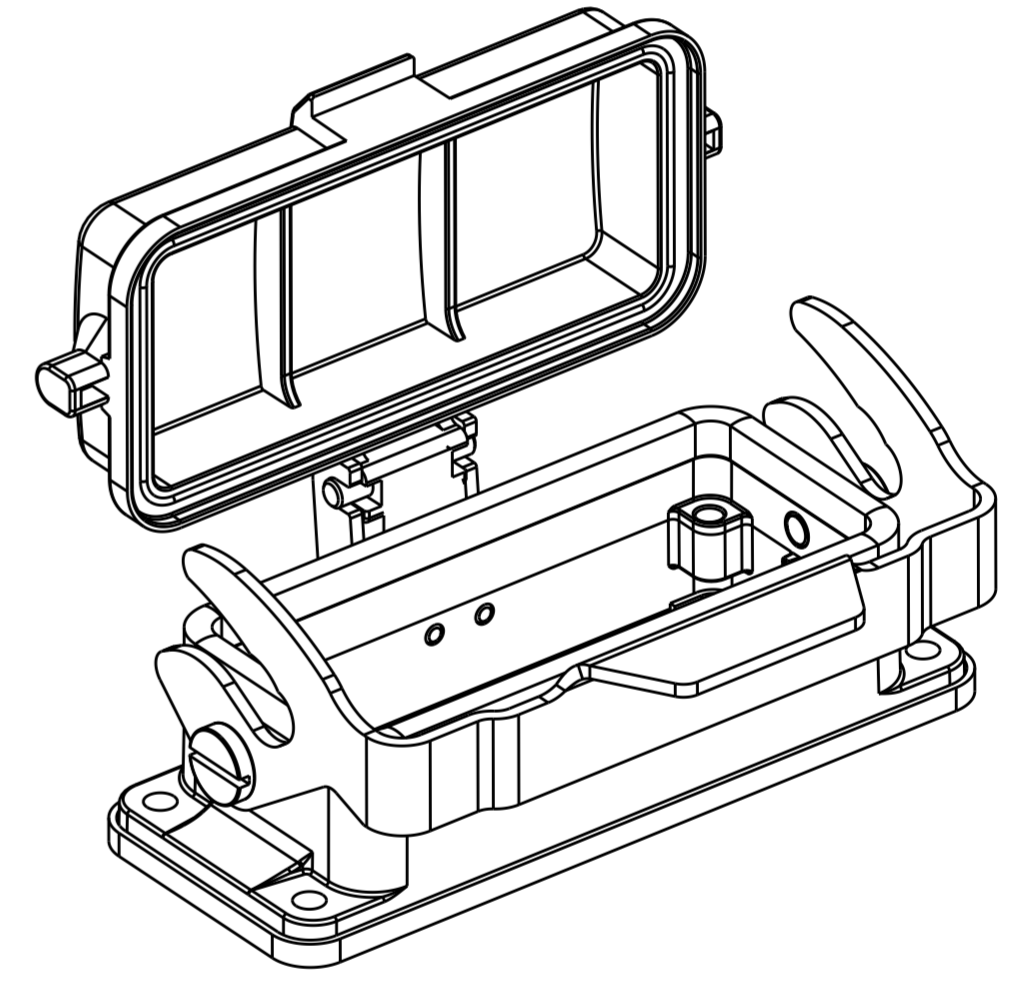
THIS DRAWING IS UNPUBLISHED. RELEASED FOR PUBLICATION 20
 © COPYRIGHT 20 BY - ALL RIGHTS RESERVED.

REVISIONS					
P	LTR	DESCRIPTION	DATE	DWN	APVD
	A	INITIAL	25JUN2015	DW	CW



NOTES:
 1. TECHNICAL CHARACTERISTICS:
 HOUSING MATERIAL: DIE CAST ALUMINIUM ALLOY
 SURFACE: POWDER COATED, GREY
 OPERATION TEMPERATURE: -40-+125°C
 DEGREE OF PROTECTION: IP65 (MATED)

注释:
 1. 技术参数:
 下壳材料: 铝合金
 表面处理: 粉末涂层, 灰色
 工作温度: -40-+125°C
 防护等级: IP65(配合)



T1510163000-000	H16B-AD-LB
PART NUMBER	DESCRIPTION

THIS DRAWING IS A CONTROLLED DOCUMENT.		DWN 25JUN2015 David Wang	TE Connectivity	
DIMENSIONS: mm		CHK 25JUN2015 Chris Wang		
TOLERANCES UNLESS OTHERWISE SPECIFIED:		APVD 25JUN2015 Xiang Xu	NAME H16B-AD-LB	
0 PLC	±	PRODUCT SPEC	SIZE CAGE CODE DRAWING NO	
1 PLC	±	108-137013	RESTRICTED TO	
2 PLC	±	APPLICATION SPEC	A200779 C-T1510163000000	
3 PLC	±	114-137013	SCALE 1:1 SHEET 1 OF 1 REV A	
4 PLC	±	WEIGHT -		
ANGLES	±	Customer Drawing		
FINISH	-			