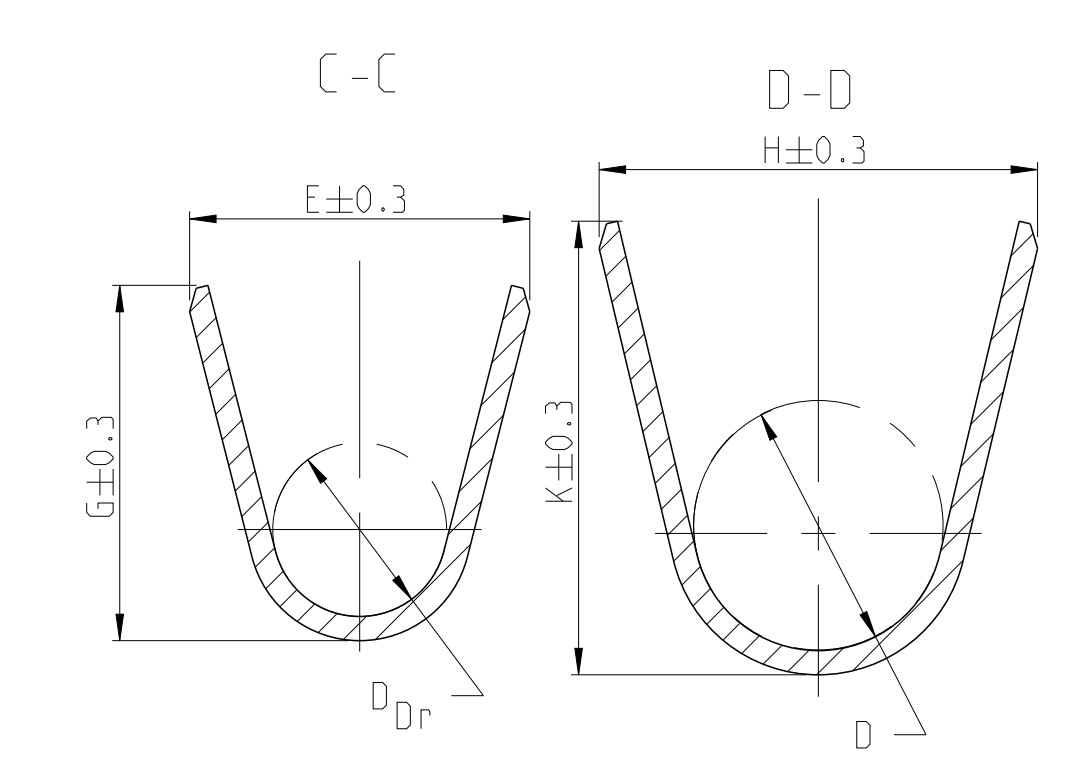
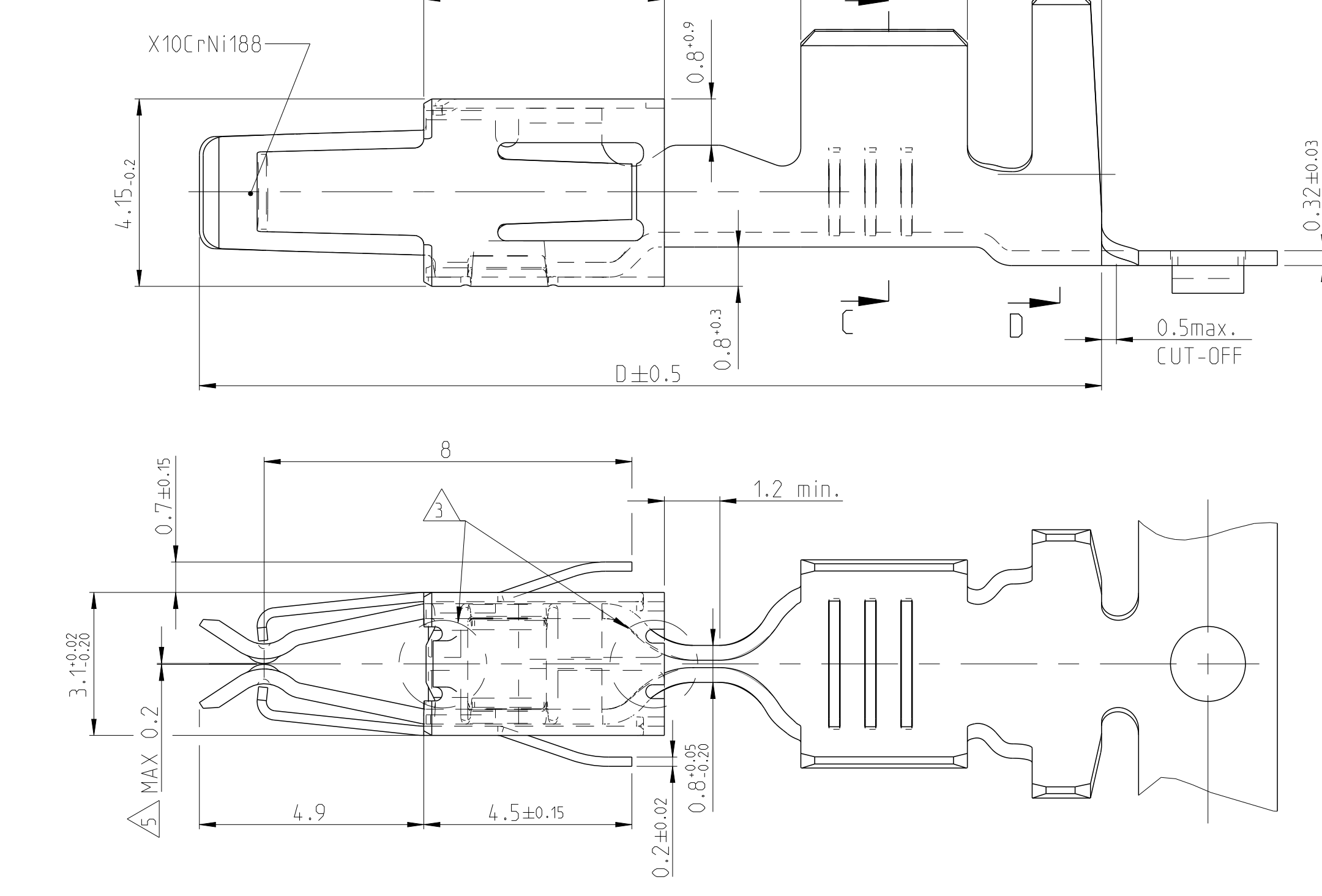


REVISIONS			
REV	DESCRIPTION	DATE	BY
B13	NEW COLUMN "D" ADDED	06.02.2016	SMH/KJ/EGP
B14	REMOVED NOTE 7	06.02.2016	SK/SCH
B14	ECR-15-014.318	29.02.2016	VM/SCH
B16	NOTE ON DIM MAX. 0.2 CHANGED	06.02.2016	HO/SCH

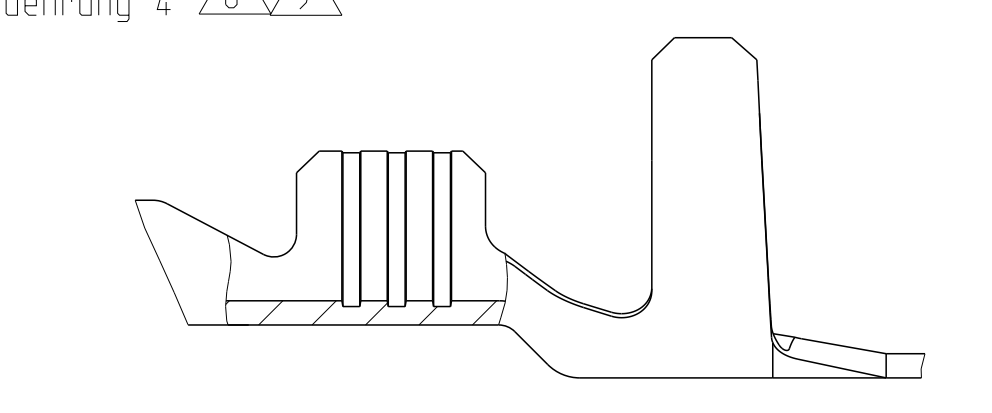
FLR-WIRE  
FLR-Leitung

DESIGN 1  
Ausführung 1

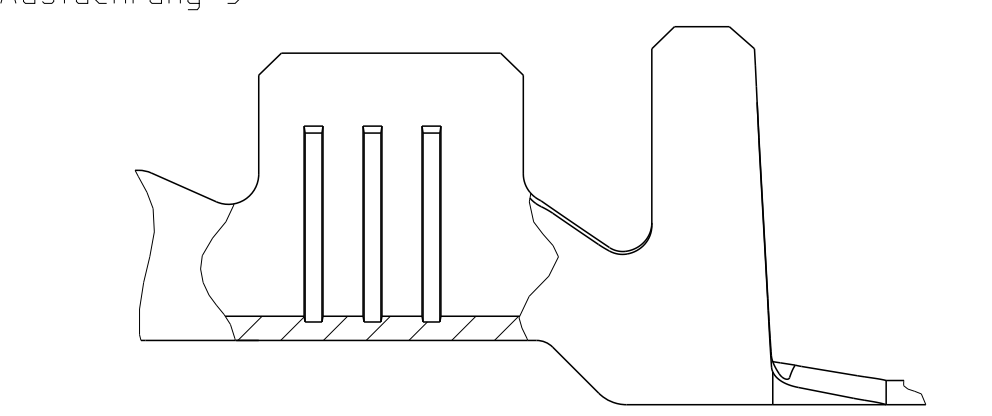


FLR- AND FLK-CABLE  
FLR- und FLK- Leitung

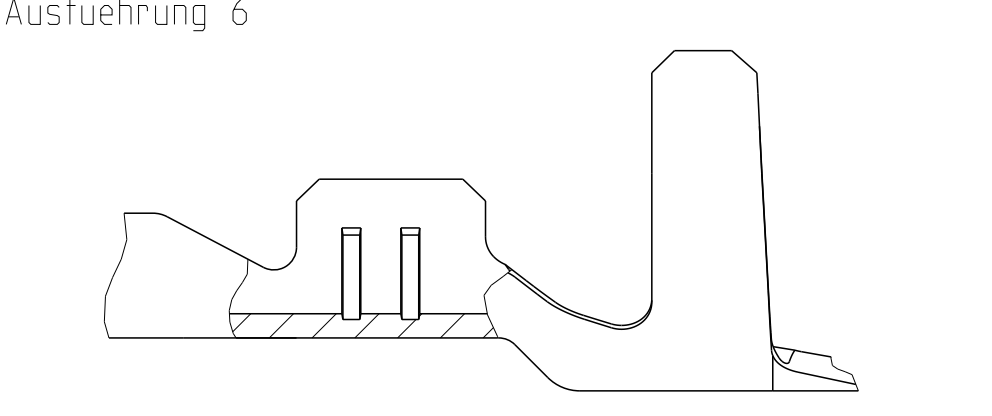
DESIGN 4  
Ausführung 4



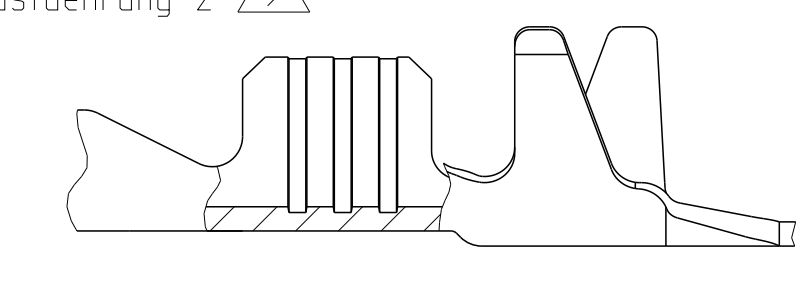
DESIGN 5  
Ausführung 5



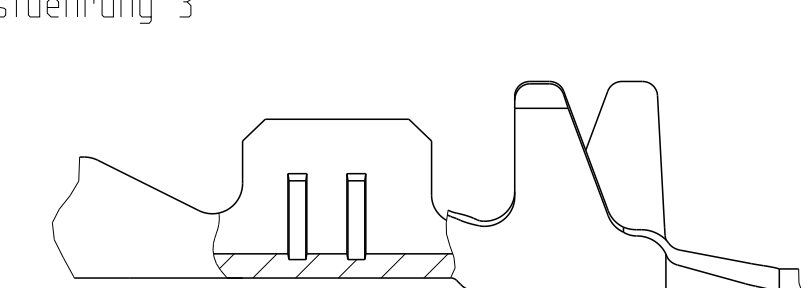
DESIGN 6  
Ausführung 6



DESIGN 2  
Ausführung 2



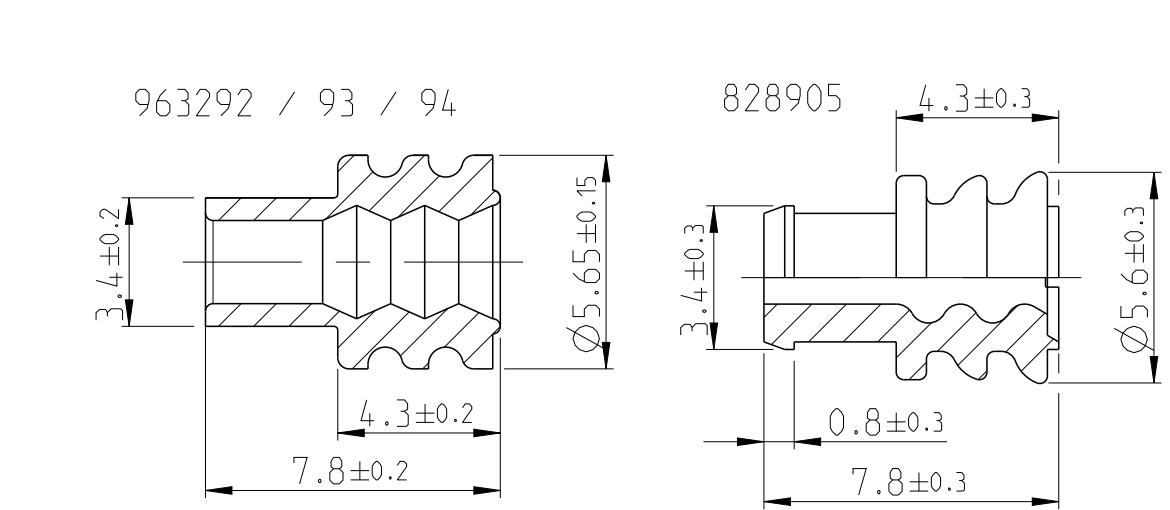
DESIGN 3  
Ausführung 3



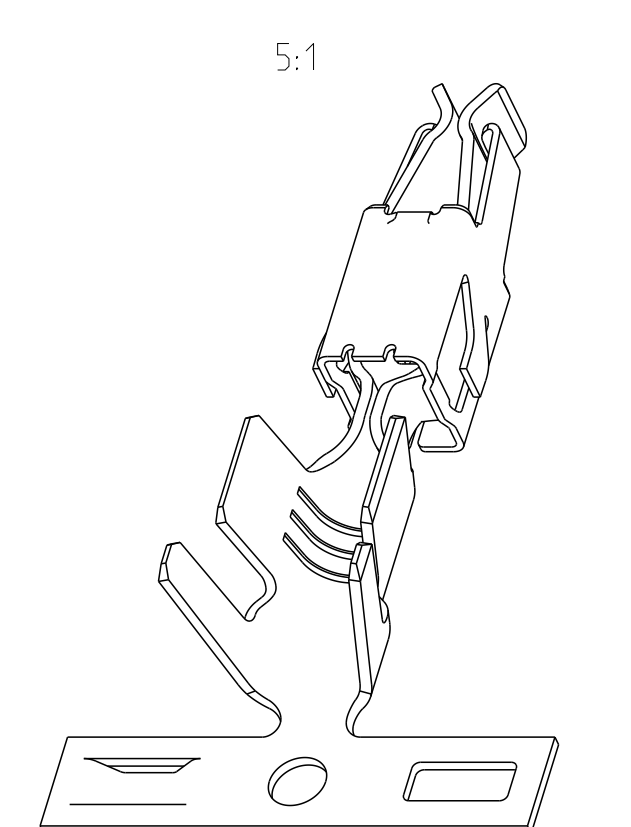
TE ORDER NO. STRIP FORM Bandware	REV.	DESIGN Ausführung	MATERIAL Werkstoff	SURFACE Oberfläche	WIRE RANGE Drahtgrößen Bereich [mm²]	INSULATION Isolations Ø [mm]	STRIP FROM WIRE CRIMP INSUL.-CRIMP Iso.-Crimp Bandware	A	B	C	D	CRIMP DATA AND CRIMP TOOL Crimpdata u. Crimpwerkzeuge
1241978-2	A	1	CuSn 4	PRET INNED vorverzinnt	>2.5-4.0	2.7-3.7	E = 4.5 G = 4.7 D <sub>Dr</sub> = 2.3	H = 5.8 K = 6.0 D = 3.3	3.6	5.0	6.5	19.5
1241978-1	A		CuFe2	PRET INNED vorverzinnt								
4-965999-1	F		CuNiSi	△								
2-965999-1	F		CuSn 4	△								
965999-6	A	1	CuSn 4	△	>1.0-2.5	2.2-3.0	E = 3.6 G = 3.8 D <sub>Dr</sub> = 1.8	H = 4.7 K = 4.9 D = 2.6	3.3	4.3	5.8	18.8
965999-2	F		CuSn 4	PRET INNED vorverzinnt								
965999-1	F		CuFe2	PRET INNED vorverzinnt								
4-964284-1	F		CuNiSi	△								
2-964284-1	F		CuSn 4	△								
964284-6	A	1	CuSn 4	△	0.5-1.0	1.4-2.1	E = 2.5 G = 2.7 D <sub>Dr</sub> = 1.2	H = 3.7 K = 3.9 D = 1.8	3.0	4.0	5.5	18.8
964284-2	F		CuSn 4	PRET INNED vorverzinnt								
964284-1	F		CuFe2	PRET INNED vorverzinnt								
2-2141892-1	△	A	CuSn 4	△	0.35	1.2-1.3	E = 2.4 G = 2.3 D <sub>Dr</sub> = 1.0	H = 2.9 K = 2.9 D = 1.4	2.5	3.5	5.6	18.8
2141892-2	△	A	CuSn 4	PRET INNED vorverzinnt								
2-964280-1	F		CuSn 4	△								
964280-2	F	3	CuSn 4	PRET INNED vorverzinnt	0.2-0.5	1.15-1.6	E = 2.1 G = 2.1 D <sub>Dr</sub> = 0.8	H = 2.7 K = 2.8 D = 1.4	2.5	3.5	5.6	18.8
964280-1	F		CuFe2	PRET INNED vorverzinnt								
2-1564326-1	△	A	CuSn 4	△	0.35	1.2-1.3	E = 2.4 G = 2.3 D <sub>Dr</sub> = 1.0	H = 4.85 K = 4.5 D = 3.2	2.5	4.7	6.3	19.55
1241872-1	△	A	CuFe2	PRET INNED vorverzinnt	>1.0-2.5	2.2-3.0	E = 3.6 G = 3.8 D <sub>Dr</sub> = 1.8	H = 5.3 K = 5.0 D = 3.5	3.5	5.2	6.8	19.55
1241868-1	△	A	CuFe2	PRET INNED vorverzinnt	0.5-1.0	1.4-2.7	E = 2.5 G = 2.7 D <sub>Dr</sub> = 1.2	H = 5.1 K = 4.8 D = 3.3	3.0	4.7	6.3	19.55
4-1241864-1	△	A	CuNiSi	△	0.2-0.5	1.2-2.3	E = 2.1 G = 2.1 D <sub>Dr</sub> = 0.8	H = 4.7 K = 4.5 D = 3.2	2.5	4.7	6.3	19.55
6-964273-6	F		CuSn 4	△								
3-964273-1	F		CuNiSi	△								
2-964273-1	F	5	CuSn 4	△	>1.0-2.5	2.2-3.0	E = 3.6 G = 3.8 D <sub>Dr</sub> = 1.8	H = 5.3 K = 5.0 D = 3.5	3.5	5.2	6.8	19.55
964273-2	F		CuSn 4	PRET INNED vorverzinnt								
964273-1	F		CuFe2	PRET INNED vorverzinnt								
6-964286-6	F		CuSn 4	△								
2-964286-1	F	5	CuSn 4	△	0.5-1.0	1.4-2.7	E = 2.5 G = 2.7 D <sub>Dr</sub> = 1.2	H = 5.1 K = 4.8 D = 3.3	3.0	4.7	6.3	19.55
964286-2	F		CuSn 4	PRET INNED vorverzinnt								
964286-1	F		CuFe2	PRET INNED vorverzinnt								
2-2141894-1	△	A	CuSn 4	△	0.35	1.2-1.3	E = 2.4 G = 2.3 D <sub>Dr</sub> = 1.0	H = 4.85 K = 4.5 D = 3.2	2.5	4.7	6.3	19.55
2141894-2	△	A	CuSn 4	PRET INNED vorverzinnt								
6-964282-6	F		CuSn 4	△								
2-964282-1	F	6	CuSn 4	△	0.2-0.5	1.2-2.3	E = 2.1 G = 2.1 D <sub>Dr</sub> = 0.8	H = 4.7 K = 4.5 D = 3.2	2.5	4.7	6.3	19.55
964282-2	F		CuSn 4	PRET INNED vorverzinnt								
964282-1	F		CuFe2	PRET INNED vorverzinnt								

SSE APPLICATION - SPECIFICATION  
siehe Veranlassungsspezifikation  
14-18050

- △ BODY ELECTRO TIN PLATED OVER NICKEL 0.2 µm min.  
Kontaktkörper galv. verzinkt ueber Nickel 0.2 µm min.  
CONTACT AREA SELECTIV GOLD OVER NICKEL 0.8 µm min.  
Kontaktzone selektiv vergoldet ueber Nickel 0.8 µm min.  
WIRE CRIMP AREA ELECTRO TIN PLATED 1 µm min.  
Drahtcrimbereich galv. verzinkt 1 µm min.
- △ ACCORDING INSULATION DIA IS TO CHOOSE THE SINGLE WIRE SEAL  
Entsprechend dem Isolationsdurchmesser ist die Einzel-Dichtung auszuwaehlen
- △ CUT OFF OPTIONAL  
Optionaler Federabschnitt
- △ VARIANTS WITH GAP-SIZE 0.3mm  
Varianten mit Gap-Size 0.3mm
- △ FOR EVALUATION OF THE GAP-SIZE, THE MATING-FORCE HAS PRIORITY.  
Zur Beurteilung des Oeffnungsmasses ist die Steckkraft ausschlaggebend
- △ CONTACT BODY PRE-SILVER PLATED MIN. 0.8µm  
CONTACT ZONE SELECTIVE PRE-SILVER PLATED MIN. 3µm  
Kontaktkörper vorversilbert min. 0.8µm  
Kontaktzone selektiv vorversilbert min. 3µm
- △ PUNCHED WITH VOLATILIZING STAMPING-OIL  
Gestanzl mit vertuechtigendem Stanzoel
- △ SERRATIONS OVER THE WHOLE WIDTH OF THE CRIMP AREA  
Rillen ueber die ganze Breite des Crimpbereichs.



SINGLE WIRE SEAL Einzel-Dichtung		
963292-1	2.7-3.0	yellow gelb
963293-1	2.0-2.7	redbrown rotbraun
963294-1	1.2-2.1	blue blau
828905-1	2.2-3.0	white weiss
ORDER No. Bestell-Nr.	INSULATION Ø Isolations Ø	COLOR Farbe



THIS DRAWING IS A CONTROLLED DOCUMENT. DATE: 02 JUN 2003. DRAWN BY: M. Huhn. CHECKED BY: M. Huhn. APPROVED BY: M. Huhn. PRODUCT SPEC: 114-18013. APPLICATION SPEC: 114-18050. WEIGHT: -. CUSTOMER: Customer Drawing. SCALE: 5:1. SHEET: 1 OF 1. REV: B16.

STE TE Connectivity

PRODUCT GROUP DRAWING FOR JUNIORPOWER TIMER CONTACT TYPE A Produkt-Gruppenzeichnung fuer JPT Typ A