



5N50

Power MOSFET

5A, 500V N-CHANNEL POWER MOSFET

■ DESCRIPTION

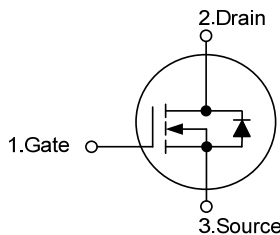
The UTC **5N50** is an N-channel power MOSFET adopting UTC's advanced technology to provide customers with DMOS, planar stripe technology. This technology is designed to meet the requirements of the minimum on-state resistance and perfect switching performance. It also can withstand high energy pulse in the avalanche and communication mode.

The UTC **5N50** can be used in applications, such as active power factor correction, high efficiency switched mode power supplies, electronic lamp ballasts based on half bridge topology.

■ FEATURES

- * $R_{DS(ON)} < 1.4\Omega @ V_{GS} = 10V, I_D = 2.5A$
- * 100% avalanche tested
- * High switching speed

■ SYMBOL



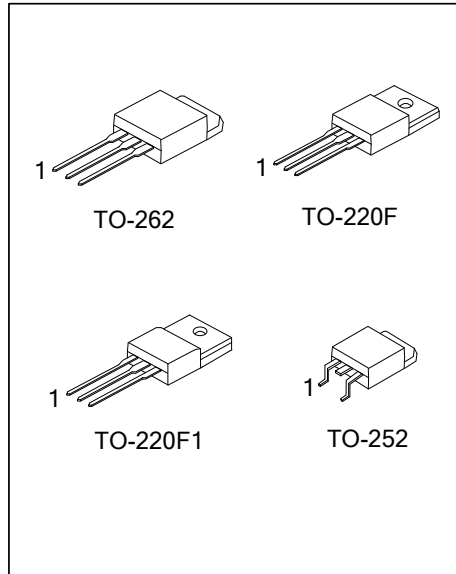
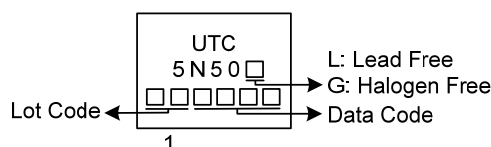
■ ORDERING INFORMATION

Ordering Number		Package	Pin Assignment			Packing
Lead Free	Halogen Free		1	2	3	
5N50L-TF3-T	5N50G-TF3-T	TO-220F	G	D	S	Tube
5N50L-TF1-T	5N50G-TF1-T	TO-220F1	G	D	S	Tube
5N50L-TN3-R	5N50G-TN3-R	TO-252	G	D	S	Tape Reel
5N50L-T2Q-T	5N50G-T2Q-T	TO-262	G	D	S	Tube

Note: Pin Assignment: G: Gate D: Drain S: Source

<p>5N50L-TA2-T</p> <p>(1) Packing Type</p> <p>(2) Package Type</p> <p>(3) Green Package</p>	<p>(1) R: Tape Reel, T: Tube</p> <p>(2) TF3: TO-220F, TF1: TO-220F1, TN3: TO-252 T2Q: TO-262</p> <p>(3) L: Lead Free, G: Halogen Free and Lead Free</p>
---	---

■ MARKING



■ ABSOLUTE MAXIMUM RATINGS ($T_c=25^\circ\text{C}$, unless otherwise specified)

PARAMETER		SYMBOL	RATINGS	UNIT
Drain-Source Voltage		V_{DSS}	500	V
Gate-Source Voltage		V_{GSS}	± 30	V
Drain Current	Continuous	I_D	5	A
	Pulsed (Note 2)	I_{DM}	20	A
Avalanche Current (Note 2)		I_{AR}	5	A
Avalanche Energy	Single Pulsed (Note 3)	E_{AS}	300	mJ
	Repetitive (Note 2)	E_{AR}	7.3	mJ
Peak Diode Recovery dv/dt (Note 4)		dv/dt	4.5	V/ns
Power Dissipation	TO-262	P_D	125	W
	TO-220F/TO-220F1		38	W
	TO-252		54	W
Junction Temperature		T_J	+150	$^\circ\text{C}$
Storage Temperature		T_{STG}	-55~+150	$^\circ\text{C}$

Notes: 1. Absolute maximum ratings are those values beyond which the device could be permanently damaged.

Absolute maximum ratings are stress ratings only and functional device operation is not implied.

2. Repetitive Rating: Pulse width limited by maximum junction temperature

3. $L = 21.5\text{mH}$, $I_{AS} = 5\text{A}$, $V_{DD} = 50\text{V}$, $R_G = 25\Omega$, Starting $T_J = 25^\circ\text{C}$

4. $I_{SD} \leq 5\text{A}$, $di/dt \leq 200\text{A}/\mu\text{s}$, $V_{DD} \leq BV_{DSS}$, Starting $T_J = 25^\circ\text{C}$

■ THERMAL DATA

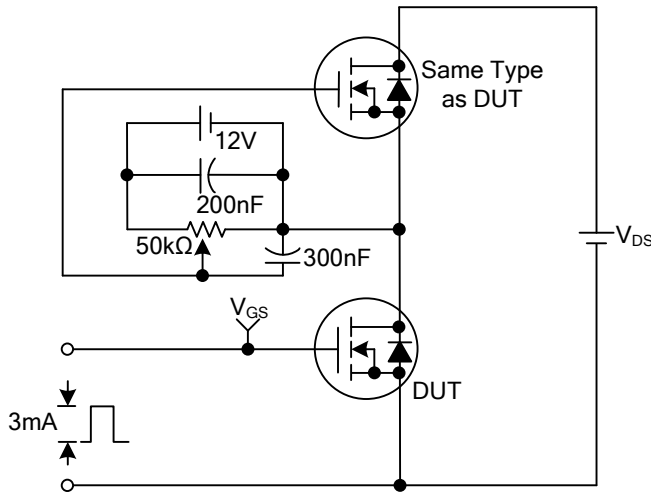
PARAMETER		SYMBOL	RATINGS	UNIT
Junction to Ambient	TO-262/TO-220F	θ_{JA}	62.5	$^\circ\text{C}/\text{W}$
	TO-220F1			
	TO-252			
Junction to Case	TO-262	θ_{JC}	1	$^\circ\text{C}/\text{W}$
	TO-220F/TO-220F1			
	TO-251			
			2.13	$^\circ\text{C}/\text{W}$

■ ELECTRICAL CHARACTERISTICS ($T_C=25^\circ\text{C}$, unless otherwise specified)

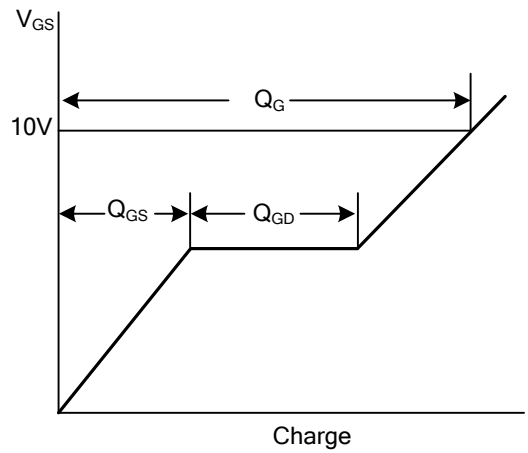
PARAMETER		SYMBOL	TEST CONDITIONS	MIN	TYP	MAX	UNIT
OFF CHARACTERISTICS							
Drain-Source Breakdown Voltage		BV_{DSS}	$I_D=250\mu\text{A}$, $V_{GS}=0\text{V}$	500			V
Breakdown Voltage Temperature Coefficient		$\Delta BV_{DSS}/\Delta T_J$	Reference to 25°C , $I_D=250\mu\text{A}$		0.5		$\text{V}/^\circ\text{C}$
Drain-Source Leakage Current		I_{DSS}	$V_{DS}=500\text{V}$, $V_{GS}=0\text{V}$			1	μA
			$V_{DS}=400\text{V}$, $T_C=125^\circ\text{C}$			10	
Gate- Source Leakage Current	Forward	I_{GSS}	$V_{GS}=30\text{V}$, $V_{DS}=0\text{V}$			100	nA
	Reverse		$V_{GS}=-30\text{V}$, $V_{DS}=0\text{V}$			-100	nA
ON CHARACTERISTICS							
Gate Threshold Voltage		$V_{GS(TH)}$	$V_{DS}=V_{GS}$, $I_D=250\mu\text{A}$	2.0		4.0	V
Static Drain-Source On-State Resistance		$R_{DS(ON)}$	$V_{GS}=10\text{V}$, $I_D=2.5\text{A}$			1.4	Ω
DYNAMIC PARAMETERS							
Input Capacitance		C_{ISS}	$V_{GS}=0\text{V}$, $V_{DS}=25\text{V}$, $f=1.0\text{MHz}$		535	625	pF
Output Capacitance		C_{OSS}			70	105	pF
Reverse Transfer Capacitance		C_{RSS}			17	20	pF
SWITCHING PARAMETERS							
Turn-ON Delay Time		$t_{D(ON)}$	$V_{DD}=30\text{V}$, $I_D=0.5\text{A}$, $R_G=25\Omega$ (Note 1, 2)		30	45	ns
Rise Time		t_R			50	70	ns
Turn-OFF Delay Time		$t_{D(OFF)}$			145	165	ns
Fall-Time		t_F			72	105	ns
Total Gate Charge		Q_G	$V_{GS}=10\text{V}$, $V_{DS}=50\text{V}$, $I_D=1.3\text{A}$, $I_G=100\mu\text{A}$ (Note 1, 2)		20	24	nC
Gate to Source Charge		Q_{GS}			4		nC
Gate to Drain Charge		Q_{GD}			5		nC
SOURCE- DRAIN DIODE RATINGS AND CHARACTERISTICS							
Maximum Continuous Drain-Source Diode Forward Current		I_S				5	A
Maximum Pulsed Drain-Source Diode Forward Current		I_{SM}				20	A
Drain-Source Diode Forward Voltage		V_{SD}	$I_S=5\text{A}$, $V_{GS}=0\text{V}$			1.4	V

Notes: 1. Pulse Test: Pulse width $\leq 300\mu\text{s}$, Duty cycle $\leq 2\%$
2. Essentially independent of operating temperature

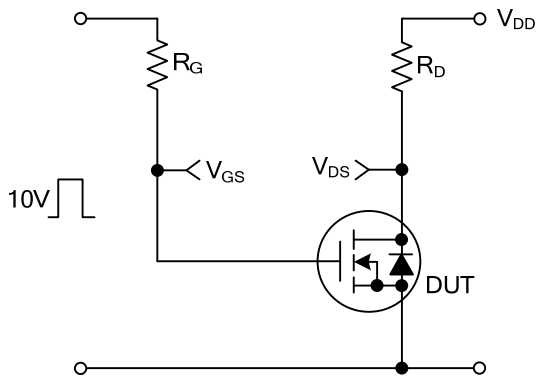
■ TEST CIRCUITS AND WAVEFORMS



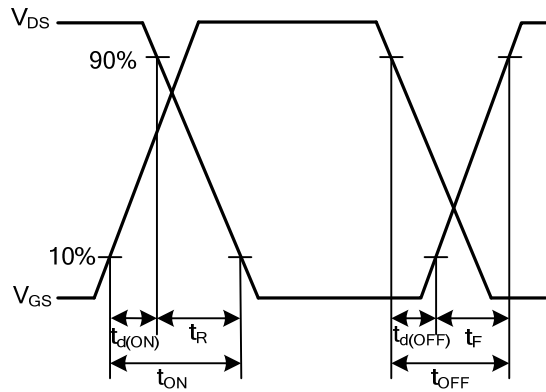
Gate Charge Test Circuit



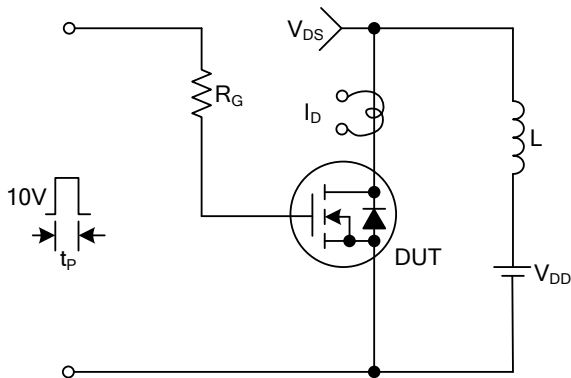
Gate Charge Waveforms



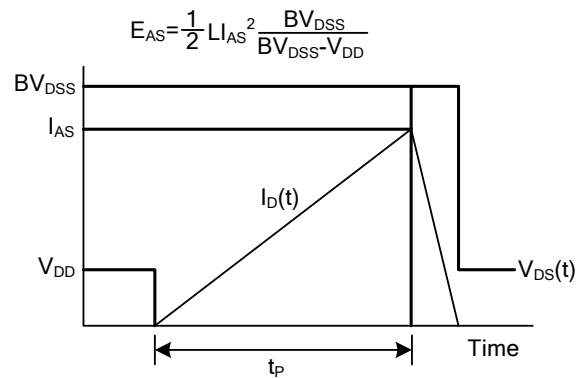
Resistive Switching Test Circuit



Resistive Switching Waveforms

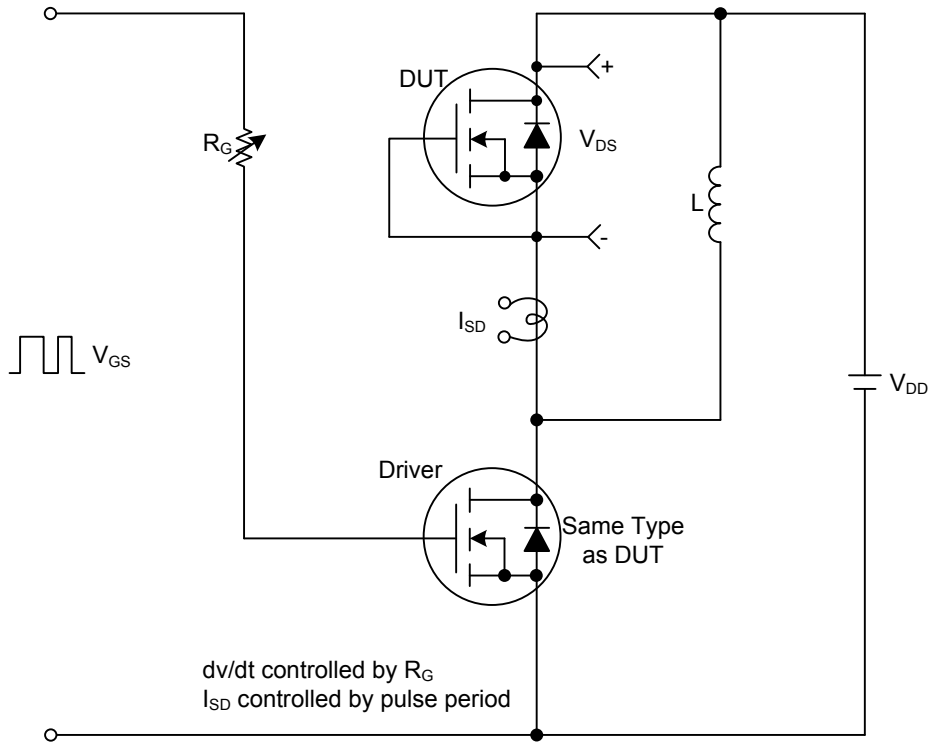


Unclamped Inductive Switching Test Circuit

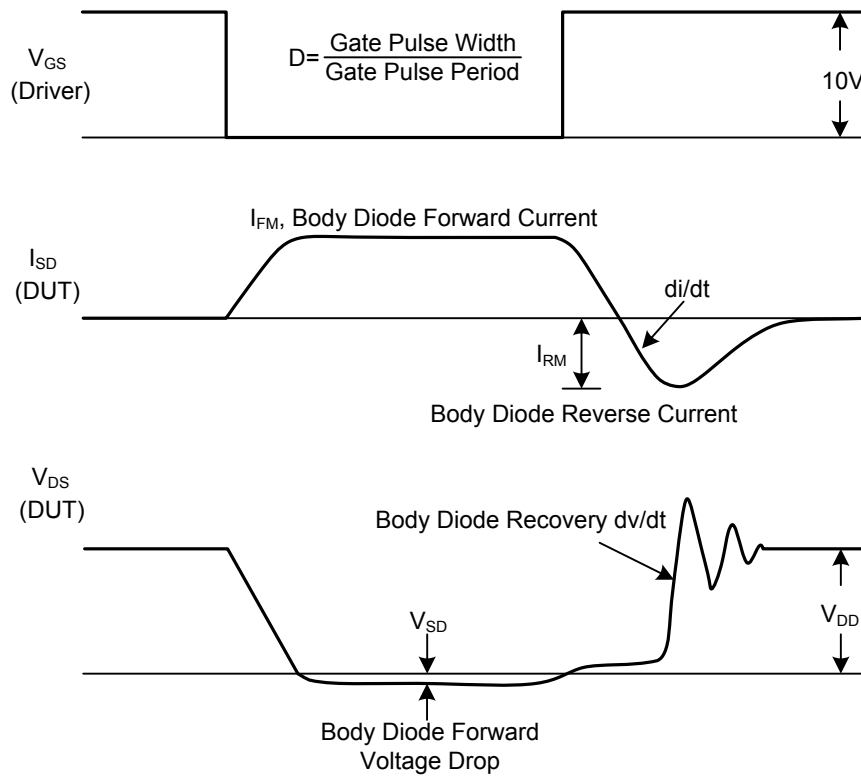


Unclamped Inductive Switching Waveforms

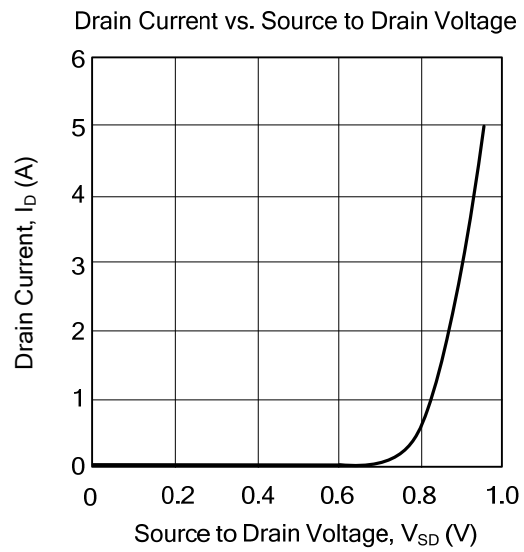
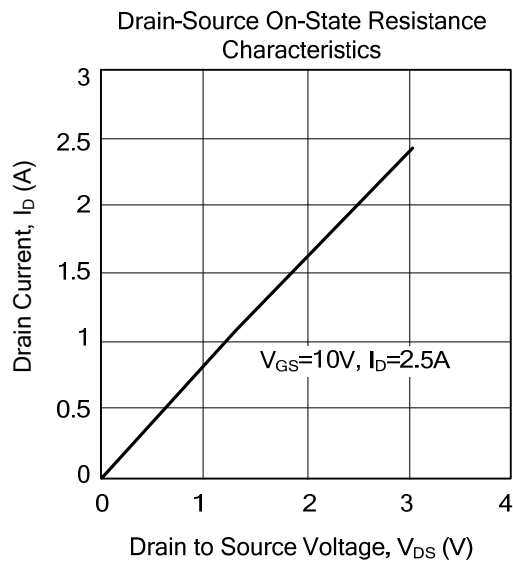
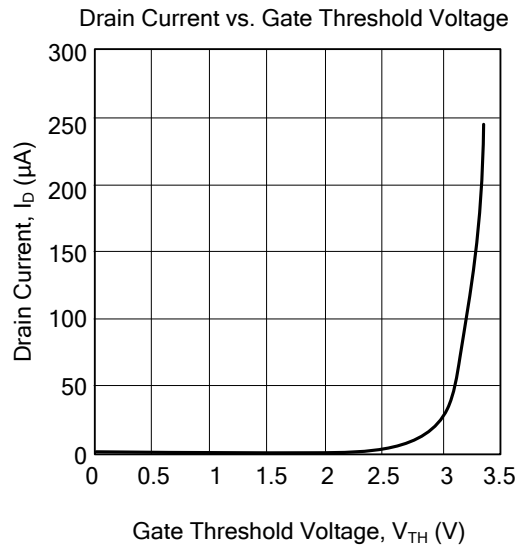
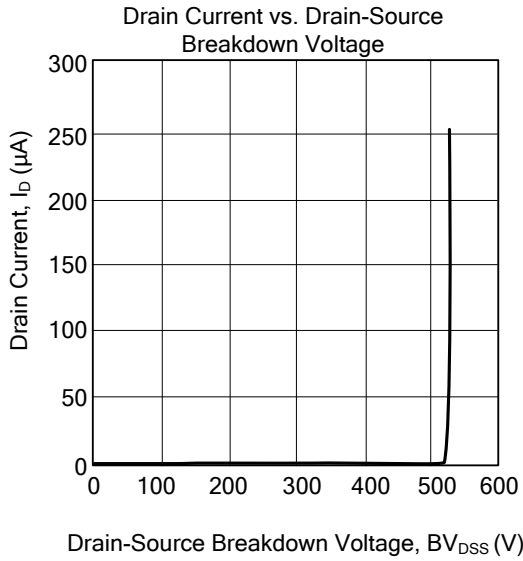
■ TEST CIRCUITS AND WAVEFORMS(Cont.)



Peak Diode Recovery dv/dt Test Circuit & Waveforms



■ TYPICAL CHARACTERISTICS



UTC assumes no responsibility for equipment failures that result from using products at values that exceed, even momentarily, rated values (such as maximum ratings, operating condition ranges, or other parameters) listed in products specifications of any and all UTC products described or contained herein. UTC products are not designed for use in life support appliances, devices or systems where malfunction of these products can be reasonably expected to result in personal injury. Reproduction in whole or in part is prohibited without the prior written consent of the copyright owner. The information presented in this document does not form part of any quotation or contract, is believed to be accurate and reliable and may be changed without notice.