

[TOP](#) > [JC26A-BBE](#)

Product List

Product Name	JC26A-BBE
Series Name	JC26C/JC26C2 Series
Lead free	Yes
Connector types	System side pin connector without frame
Description on PCB retention feature	Boss
Material of contact	Copper alloy
Mating side contact finish	Gold over Nickel
Finish of contact in PCB mounting area	Tin or Tin alloy over Nickel
PCB mounting style	
Stand off (mm)	0
Ejector button	
PCB boardlock feature	Hold-down
Applicable pin connector	
Applicable frame	JC26A-F**E,JC26C*-*E
Remarks	
Related Documents	DWG 170Kbytes
Pair	

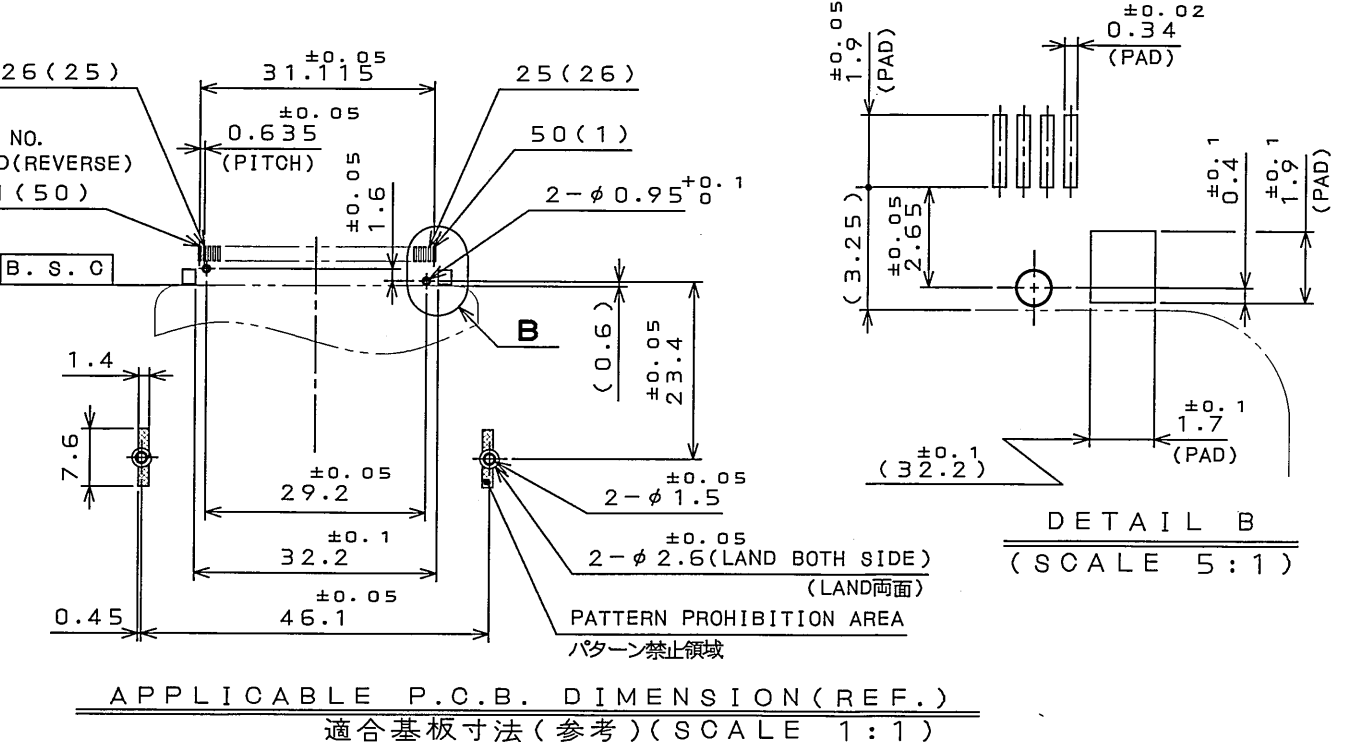
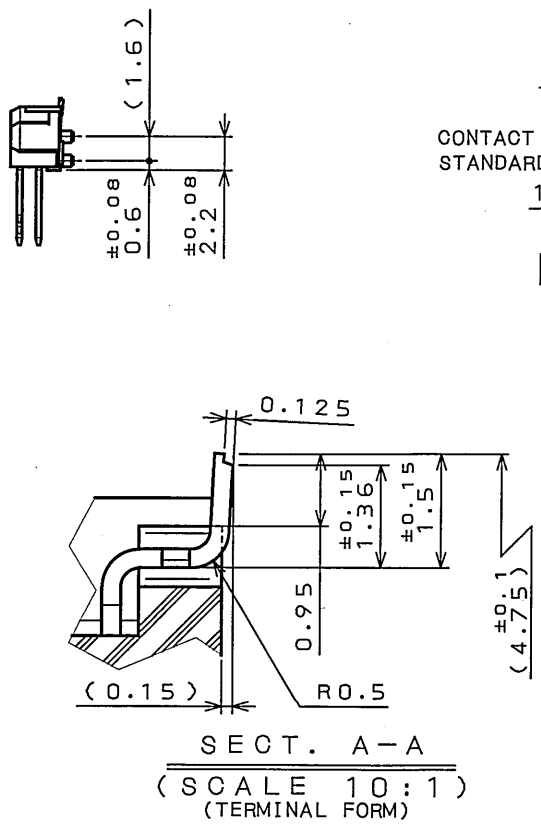
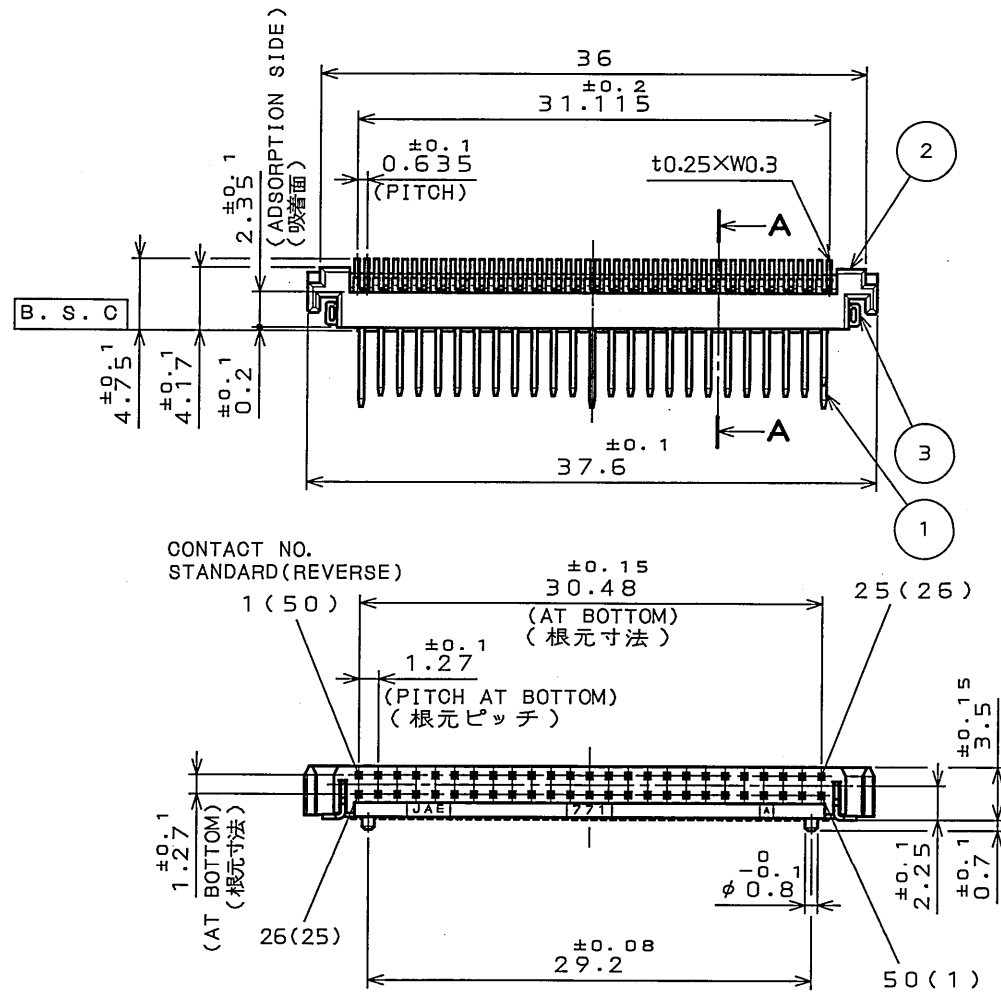
Notice:

1. The values specified in this web site are only for reference. The products and their specifications are subject to change without notice. Contact our sales staff for further information before considering or ordering any of our products.
For purchase, a product specification must be agreed upon.
2. Users are requested to provide protection circuits and redundancy circuits to ensure safety of the equipment, and sufficiently review the suitability of JAE's products to the equipment.

SJ039072

(ON DRAWING) 仕様図

版数 REV.	年月日 DATE	DCN NO.	変更内容 DESCRIPTION	製図 DR.	担当 CHK.	査閲 APPD.	承認 APPD.
2	26.Aug.2004	055687	REVISED NOTE, ETC	H.KAMATA	T.WADA	M. Sasaki	A. Kimura



DESIGNATION 命名法

JC26A-BB*E

SERIES シリーズ
BASE ベース

(LEAD FREE)TIN/TIN ALLOY
錫又は、錫合金(無鉛)

POSITIONING BOSS TYPE 位置決めボス有無
B: WITH POSITIONING BOSS B: ボス有
N: WITHOUT POSITIONING BOSS N: ボス無

STAND-OFF CODE スタンドオフコード
NONE: 0mm 無: 0mm
16: 1.6mm 16: 1.6mm

TABLE 1

CONTACT NUMBER 端子番号	TERMINAL LENGTH 端子長(L)
1, 13, 38, 50	5 ± 0.1
25, 26	3.5 ± 0.1
OTHERS その他	4.25 ± 0.1

- NOTE 1. THIS PRODUCTS ARE DESIGNED IN ACCORDANCE WITH COMPACT FLASH ASSOCIATION.
 2. COPLANALITY OF SMT TERMINAL IS 0.1 MAX. (INCLUDE HOLD DOWN)
 3. PLEASE REFER TO TABLE 1 FOR TERMINAL LENGTH.
 4. PLEASE REFER TO TABLE 2 FOR CONTACT NUMBER.
 5. THIS CONNECTOR MATES WITH JC26A-F**E OR JC26C*-**E.
 6. PLEASE REFER TO JAHL-1504-8 FOR USING THIS PRODUCT.
 1. 本品は、コンパクトフラッシュ アソシエーションに準拠する。
 2. 端子のパラッキ0.1以下。(ホールドダウンを含む)
 3. 端子長寸法は、表1を参照願います。
 4. 端子番号は、表2を参照して下さい。
 5. 本品は、JC26A-F**EまたはJC26C*-**Eと組み合わせて使用する。
 6. 本品を御使用時は、取扱説明書(JAHL-1504-8)を御参照下さい。

TABLE 2

MOUNTING SIDE 実装面	MATING SIDE 嵌合面	CONTACT NUMBER 端子番号	COUNTERPART FRAME 相手側フレーム
STANDARD スタンダード		P.C.B (MOUNTING SIDE) 基板(部品搭載面)	JC26A-FS*E JC26C*-*S*E
REVERSE リバース		P.C.B (MOUNTING SIDE) 基板(部品搭載面)	JC26A-FR*E JC26C*-*R*E

3	HOLD DOWN	2	COPPER ALLOY (LEAD FREE)TIN/TIN ALLOY PLATING	
2	INSULATOR	1	GLASS FILLED PPS	COLOR: IVORY UL94 V-0
1	CONTACT	50	COPPER ALLOY	CONTACT AREA: GOLD(0.1µm MIN.) OVER NICKEL TERMINAL AREA: (LEAD FREE) TIN/TIN ALLOY OVER NICKEL PLATING
符号 NO.	名称 DESCRIPTION	個数 QTY.	材料 MATERIAL	仕上 FINISH
仕様書 (SPECIFICATION)	JACS-1504-8 JAHL-1504-8	第1版 (ORIGINAL DATE)	5.Sep.2003	尺度 (SCALE)
製図 DR.	H.SAKURADA	シリーズ (SERIES)	JC26	名称 (TITLE)
担当 CHK.	T.WADA	JC26A-BBE		
査閲 APPD.	M.SASAKI	日本航空電子工業株式会社 JAPAN AVIATION ELECTRONICS INDUSTRY, LTD.		
承認 APPD.	A.KIMURA	図面番号 (DRAWING NO.) SJ039072		
質量 (MASS)		版数 (REV.) 2		

LEAD FREE この製品は鉛フリー品です

DOF-0-212E(03.08)

JC26C2 SERIES CONNECTORS

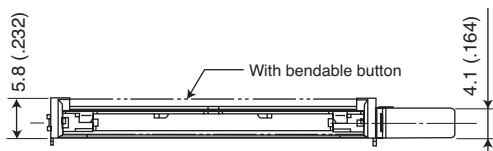
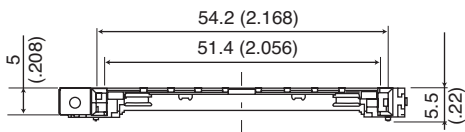
1.27mm (.050") Contact Spacing, Connectors for Compact Flash Type I/II



FEATURES

- Slot mechanism compliant with CFA (Compact Flash Association) Type I/II Card.
- Board mounting dimensions are the same for JC26A, JC26C, and JC26C2 making easy changes between series easy
- Designed with spring-loaded mechanism to prevent card from coming out
- Compared with existing JC26 series the JC26C2 series has an integrated frame structure allowing for a tighter tolerance and preventing mis-insertion
- Three types of eject buttons are available: fixed, bendable, and double-push. Button location option: right or left
- Standard or reverse mounting with stand-off option
- Low-profile: 5.8mm height off board
- 1.6mm stand-off option: 7.4 mm height on board

Connector Profile (Ref.)



Dimensions in mm (inches).

• • • • •

JC26 series is a frame connector with card retention mechanism for Compact Flash. It is offered in a low-profile design or with a 1.6mm (.063") stand-off to allow for components to be mounted under the frame. The connector is available for automatic mounting. Applications include digital still cameras, handheld PCs, and other portable devices.

GENERAL SPECIFICATIONS

Number of Contacts	50
Contact Spacing	1.27mm (0.050"), 2 rows
Current Rating	0.5 Amp per contact
Dielectric Withstanding Voltage	500 VAC r.m.s. (for one minute)
Insulation Resistance	1000 megohms min.
Contact Resistance	40 milliohms max.
Operating Temperature	-20°C to +60°C
Contact Life Durability	10,000 Cycles

MATERIALS AND FINISHES

•Frame

Description	Materials/Finishes
Spring	Stainless Steel
Lock	Glass Filled PBT
Button	Glass Filled PBT
Earth Lug	Copper Alloy
Lever	Stainless Steel
Plate	Stainless Steel
Cover	Stainless Steel
Frame	Glass filled PBT

•Base

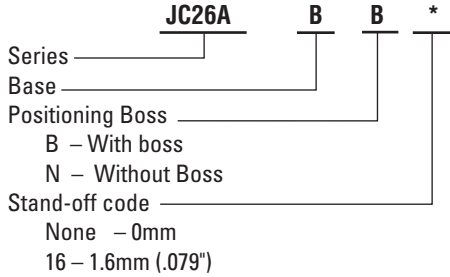
Components	Materials/Finishes
Insulator	Glass filled PPS (UL95V-0)
Contact	Copper Alloy Connecting Area: Gold Flash over Nickel-Lead SMT: Tin-Lead plating over Nickel
Hold Down	Phosphorous bronze/Tin-Lead plating over Nickel

JC26C2 SERIES CONNECTORS

1.27mm (.050") Contact Spacing, Connectors for Compact Flash Type I/II

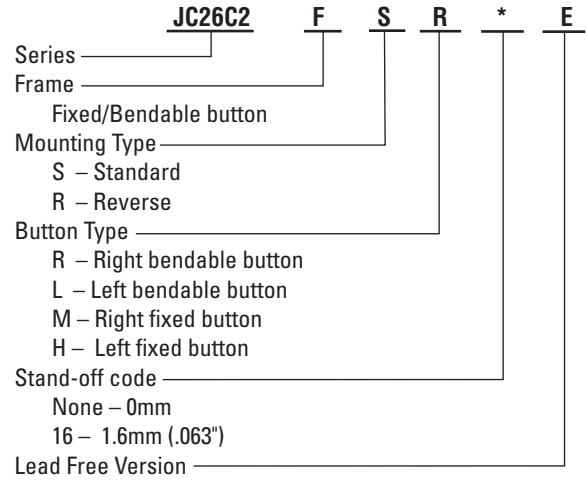
JC26A ORDERING INFORMATION

• Base

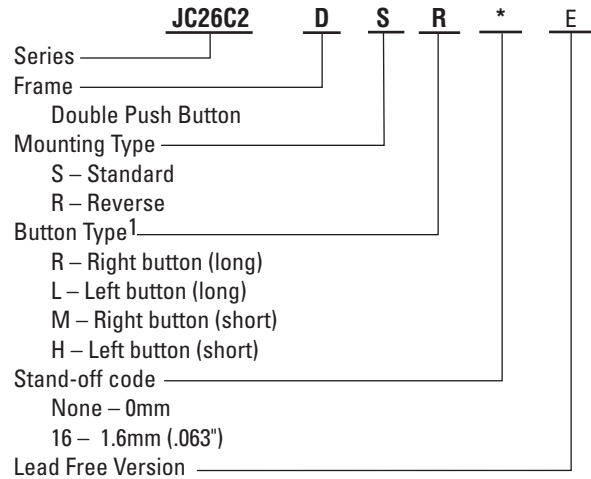


JC26C2 ORDERING INFORMATION

• Frame (Fixed/Bendable Eject Button)



• Frame (Double Push Button)



Note: Total length of button (from bottom side of card to top of button). Long: 37.9mm, Short 36.9mm