

CF-CA

Right Angle Tactile Switches



RoHS Compliant

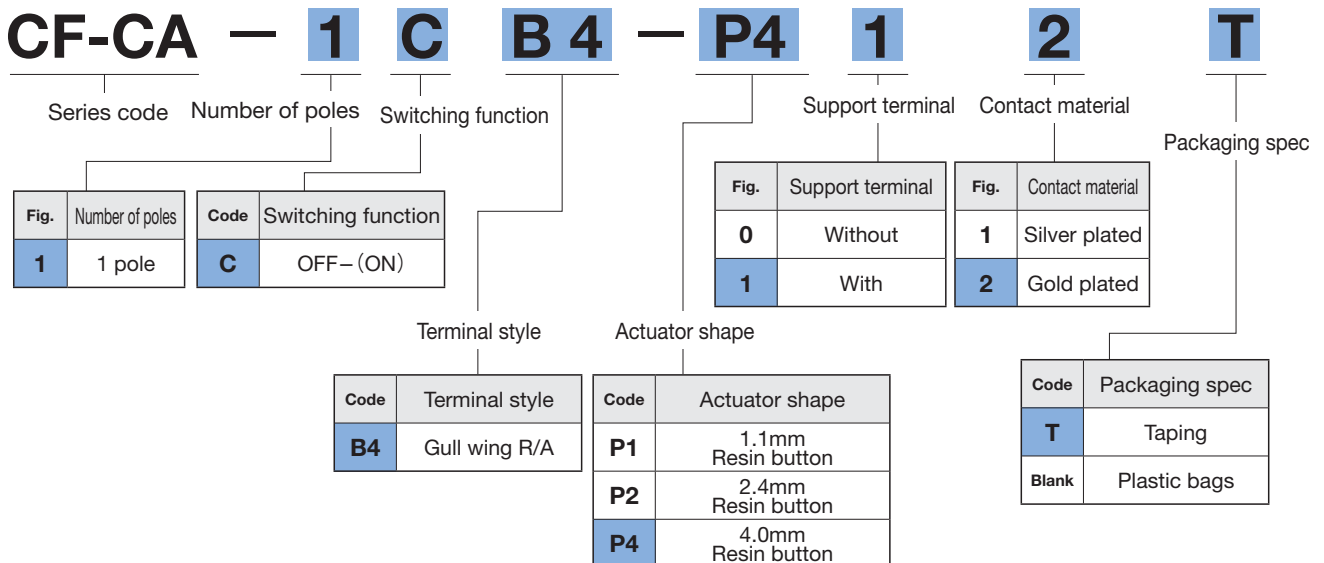
Features

1. Right Angle Tactile Switch
2. Rich in Variation (Actuator Length, With/Without Support Terminal)
3. Silver-Plated / Gold-Plated Contacts
4. Resin Actuator

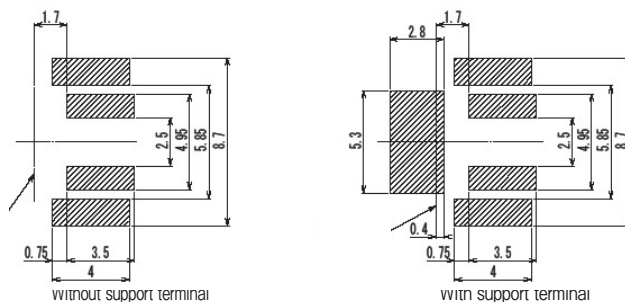
Specifications

Rating	Max.	1VA MAX (DC32V MAX50mA MAX)
	Min.	(Silver) DC5V 1mA (Gold) DC5V 10 μ A
Initial contact resistance	100m Ω max.	
Dielectric strength	AC250V (50~60Hz) 1 minute	
Initial Insulation resistance	100M Ω min. (DC100V)	
Stroke	0.25mm	
Operating force	3 \pm 1.5N {305 \pm 153g}	
Electrical life	MAX Rating 100,000 cycles.	
Operating temperature range	-40~+90°C	
Storage temperature range	-40~+90°C	

Part Numbering

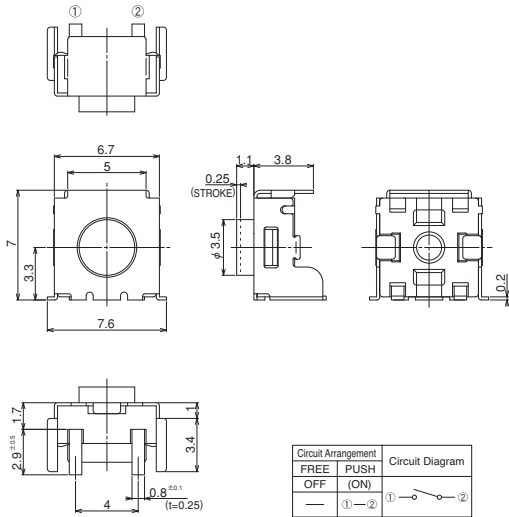


PC Hole Layouts

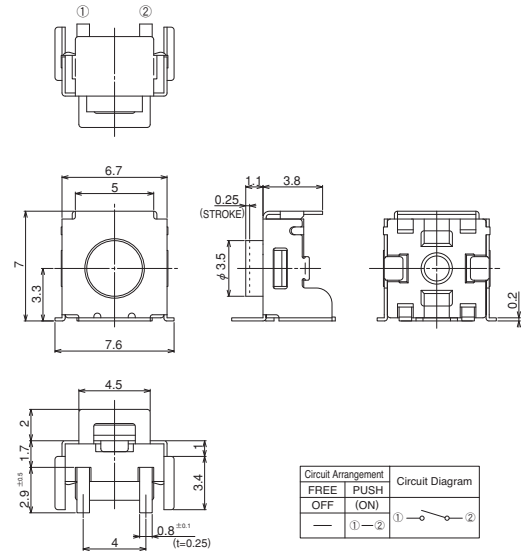


Outline dimensions

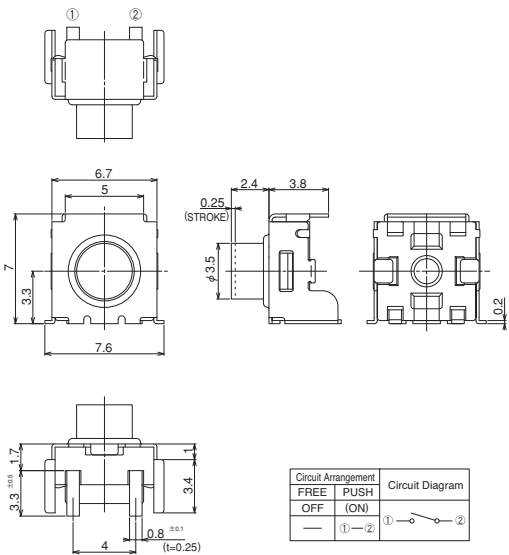
1.1 mm (Without Support Terminal)



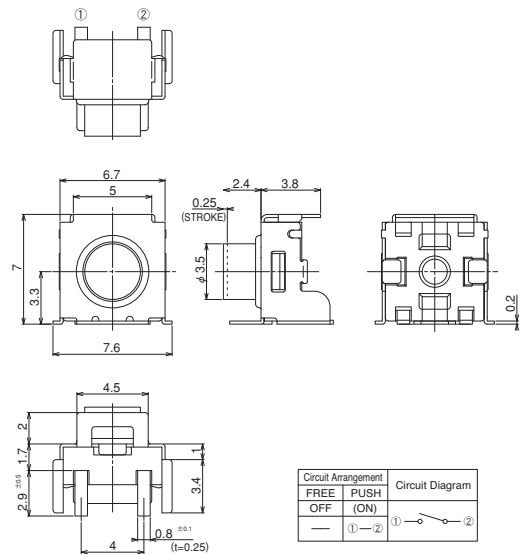
1.1 mm (With Support Terminal)



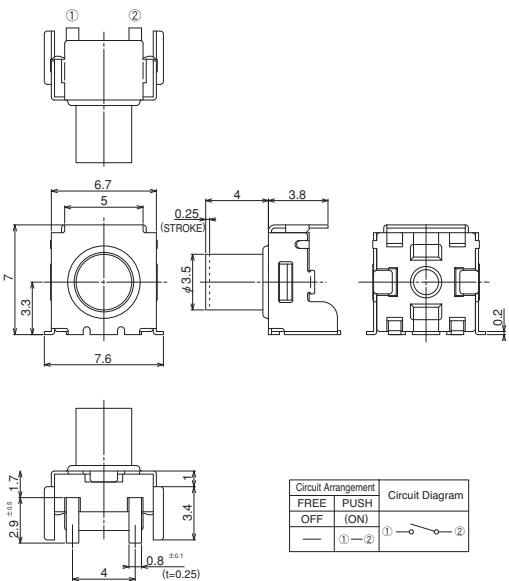
2.4mm (Without Support Terminal)



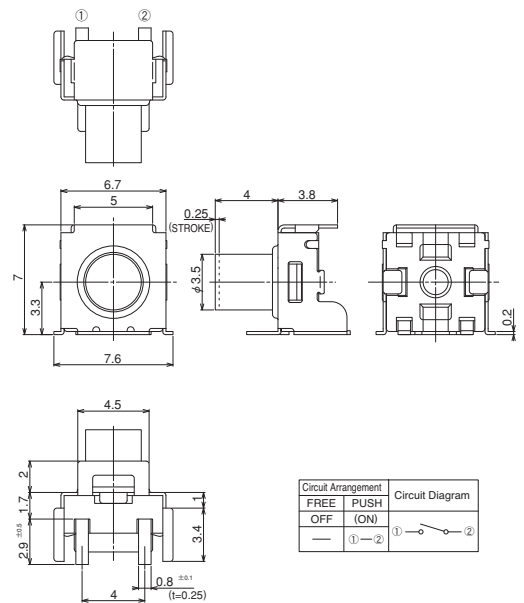
2.4mm (With Support Terminal)



4.0mm (Without Support Terminal)



4.0mm (With Support Terminal)

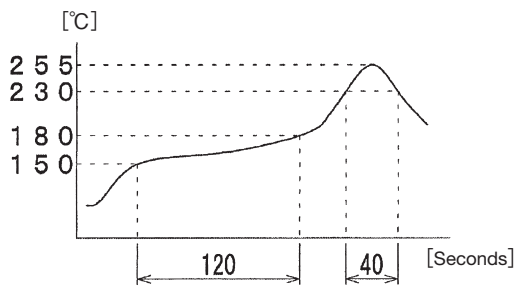


List of part numbers

Number of poles	Switching function	Contact material	Form of Packaging	Actuator shape		Terminal style		Pieces in package
				Material	Hight	R/A Without support terminal	R/A With support terminal	
1 pole	OFF-(ON)	Silver plated	Taping	Resin	1.1mm	CF-CA-1CB4-P101T	CF-CA-1CB4-P111T	500pcs./reel
					2.4mm	CF-CA-1CB4-P201T	CF-CA-1CB4-P211T	500pcs./reel
					4.0mm	CF-CA-1CB4-P401T	CF-CA-1CB4-P411T	500pcs./reel
			Plastic bags		1.1mm	CF-CA-1CB4-P101	CF-CA-1CB4-P111	20pcs./pack
					2.4mm	CF-CA-1CB4-P201	CF-CA-1CB4-P211	20pcs./pack
					4.0mm	CF-CA-1CB4-P401	CF-CA-1CB4-P411	20pcs./pack
		Gold plated	Taping		1.1mm	CF-CA-1CB4-P102T	CF-CA-1CB4-P112T	500pcs./reel
					2.4mm	CF-CA-1CB4-P202T	CF-CA-1CB4-P212T	500pcs./reel
					4.0mm	CF-CA-1CB4-P402T	CF-CA-1CB4-P412T	500pcs./reel
			Plastic bags		1.1mm	CF-CA-1CB4-P102	CF-CA-1CB4-P112	20pcs./pack
					2.4mm	CF-CA-1CB4-P202	CF-CA-1CB4-P212	20pcs./pack
					4.0mm	CF-CA-1CB4-P402	CF-CA-1CB4-P412	20pcs./pack

Soldering Specifications

(1) Reflow Soldering



Apply reflow soldering up to 2 times max.

(2) Manual Soldering

Device : Soldering iron

350°C ±10°C, Max.; 3 seconds, Max.

Flux Cleaning

(1) Solvent : Fluorine or Alcohol type

(2) General cleaning is possible with these products, but pay attention to the following points:

- Cleaning after soldering should be done after the PC board has cooled down to room temperature (30°C or below).
- Some cleaning solvents may affect the material or the appearance of the switch. Test the cleaning solution with a sample before using in mass-production.

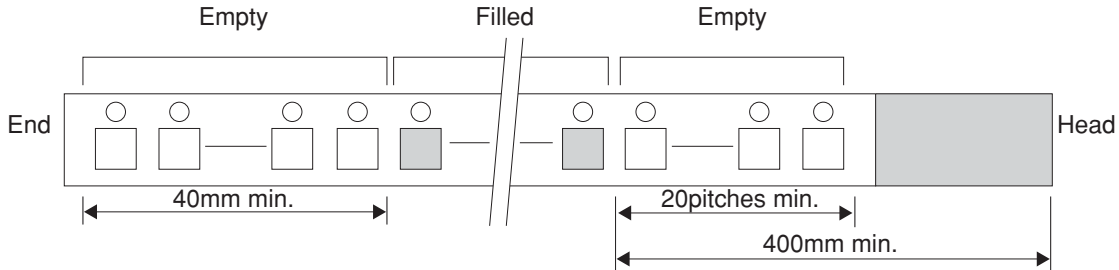
■ Packaging Specification

(1) Taping

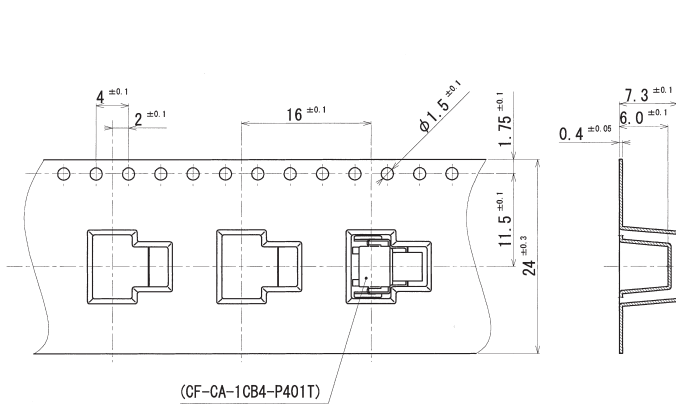
Packaging quantity is 500 pcs. per reel. Each reel is packed in a box.

The maximum number of consecutive missing pieces shall be two. The following illustration shows the leader length, empty portion and the product indication method.

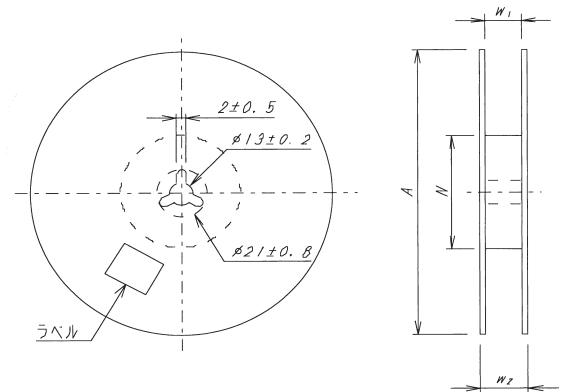
Fig.1 Embossed tape dimensions



〈Tape dimensions〉



〈Reel dimensions〉



(2) Bulk

Packaging quantity is 20pcs per bag. Please order in increments of 20pcs.

Unit (mm)

A	W ₁	W ₂	N
φ 330 ± 2	25.4 ± 1	29.4 ± 1	φ 80 ± 1