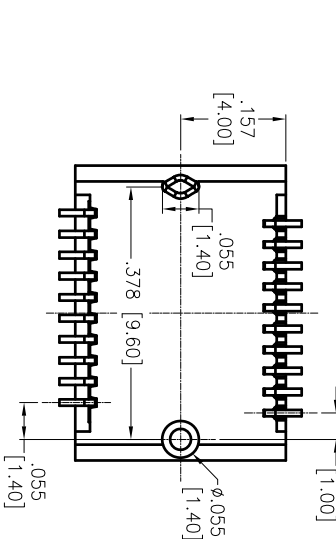
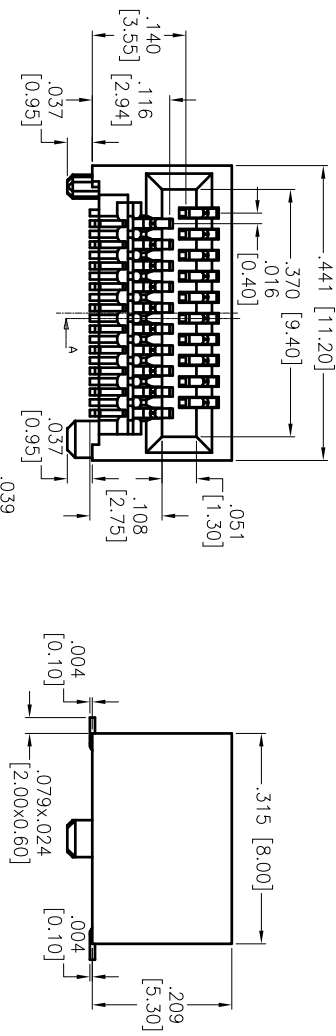
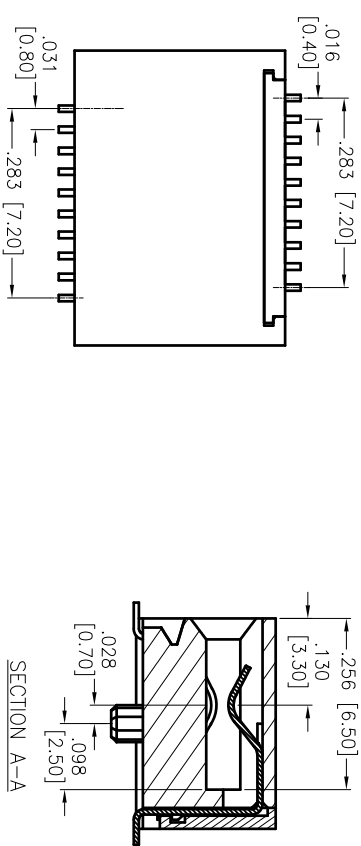
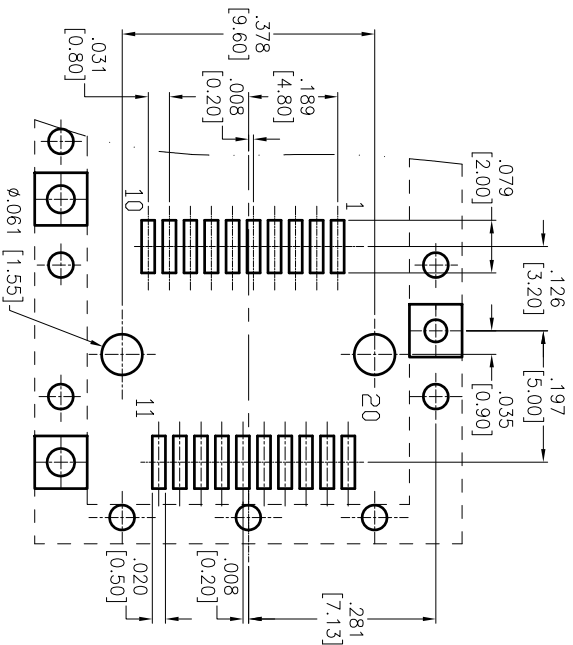


Rev	AWO #	Description	Date	Appr
-		RELEASED	09/04/12	

APPROVED: _____
 DATE: _____ TITLE: _____



RECOMMENDED PCB LAYOUT



SPECIFICATIONS:

Material:
 Insulator: Hi-Temp Thermoplastic, rated UL 94V-0
 Insulator color: Black
 Contacts: Copper Alloy
 Plating:
 30u" Gold over Nickel underplate on contact area,
 Tin over Nickel underplate on SMT tails
Electrical:
 Operating voltage: 30 VAC max
 Current rating: 0.5 Amps max
 Contact resistance: 20 mohms max
 Insulation resistance: 500 Mohms min @ 500 VDC
Temperature Rating:
 Operating temperature: -55°C to +85°C
Environmental:
 Lead free, RoHS compliant

ADAM TECH

909 Rahway Avenue, Union, NJ 07083
 Phone: 908-687-5000 Fax: 908-687-5710

SMALL FORM FACTOR CONNECTOR, 20P
 SMT TYPE, 30u" SEL GOLD PLATED

UNLESS OTHERWISE SPECIFIED ALL DIMENSIONS ARE INCHES [MM]	
TOLERANCES: EXCEPT AS NOTED	
INCHES	HOLDS
.X ± .10	ØXX ± .10
.XX ± .020	ØXXX ± .015
.XXX ± .015	ØXXXX ± .010
APPROVALS	DATE
DRAWN TW	09/04/12
CHECKED AY	09/04/12
APPROVED	

TITLE	SMALL FORM FACTOR CONNECTOR, 20P SMT TYPE, 30u" SEL GOLD PLATED
SIZE	X
PART NO.	SFF-20-SG-A-30
SCALE	NTS
SHEET	1 OF 1

