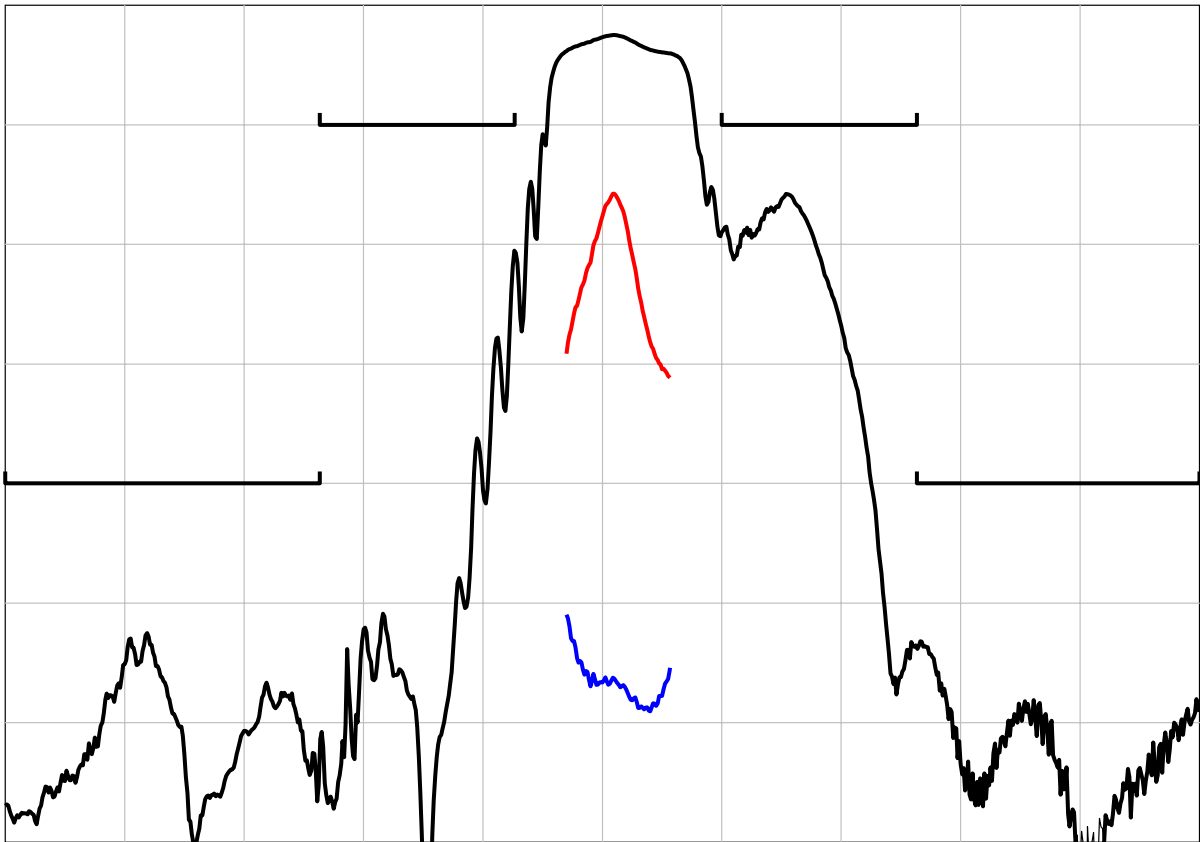


DESCRIPTION

- 704 MHz SAW bandpass filter with 26 MHz bandwidth.
- 3.8 x 3.8 mm LCC package.
- RoHS compliant.

TYPICAL PERFORMANCE



Horizontal: Frequency - Center : 700 MHz
Span : 300 MHz
Vertical: Magnitude : 10 dB/div
Magnitude : 1 dB/div
Group Delay : 20 ns/div

SPECIFICATION

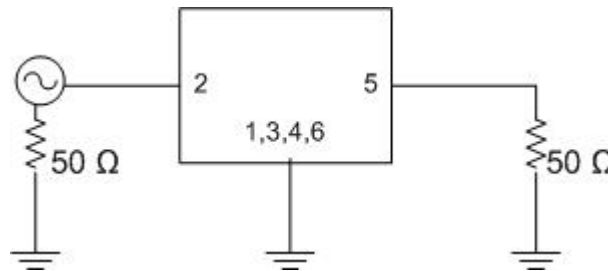
Parameter	Min	Typ	Max	Units
Nominal Center Frequency F_C	-	704	-	MHz
Passband	591	-	730	MHz
Maximum Insertion Loss over the Passband	-	4.0	4.2	dB
Absolute Delay	-	30	-	ns
Rejection (0.3 to 629 MHz) ¹	40	52	-	dB
Rejection (629 to 678 MHz) ¹	10	20	-	dB
Rejection (730 to 779 MHz) ¹	10	15	-	dB
Rejection (779 to 1004 MHz) ¹	40	52	-	dB
Rejection (1004 to 1154 MHz) ¹	50	55	-	dB
Amplitude Variation over the Passband	-	1.6	1.7	dB p-p
Group Delay Ripple in Passband	-	15	100	ns p-p
Source/Load Impedance	50			ohms
Temperature Coefficient of Frequency, T_c ²	-	-70	-	ppm/°C
Ambient Temperature (Tref)	-	23	-	°C

- Notes:
1. Absolute level
 2. Typical shift of filter frequency response with temperature is $\Delta f = (T - T_{ref}) * T_c * F_c$.

MAXIMUM RATINGS

Parameter	Min	Max	Units
Storage Temperature Range	-45	85	°C
Operating Temperature Range	-20	55	°C
Input Power Level	-	10	dBm

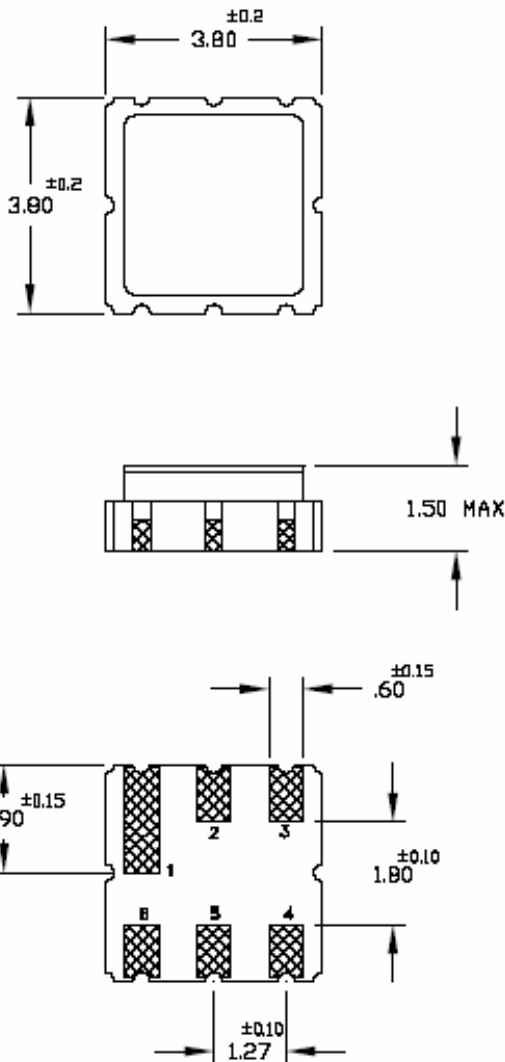
MATCHING CIRCUIT



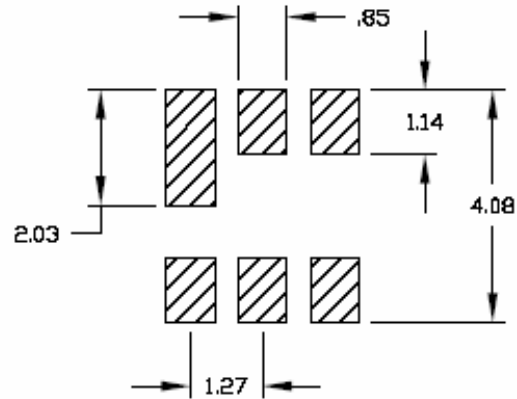
Notes:

- 50 ohm single ended operation.
- Matching components are not required.

PACKAGE OUTLINE



SUGGESTED FOOTPRINT



Units: mm

Tolerances are ±0.15 mm except where indicated.

Pad Configuration:

Input: 2
Output: 5
Ground: 1, 3, 4, 6

Package Material:
Body: Al_2O_3 ceramic
Lid: Kovar, Ni plated
Terminations: Au plating 1 µm min,
over a 1.3-8.9 µm Ni plating

ISO 9001
Registered

All specifications are believed to be accurate and reliable. However, Spectrum Microwave reserves the right to make changes without notice.
© 2010 All rights reserved.