

PART NAME

# 1200# SEISMIC RACK

PART No.

## SCR-8836

REV. DATE

3-8-05

EQUIPMENT LOAD RATING: 1200 LBS. MAX., BELCORE ZONE 4

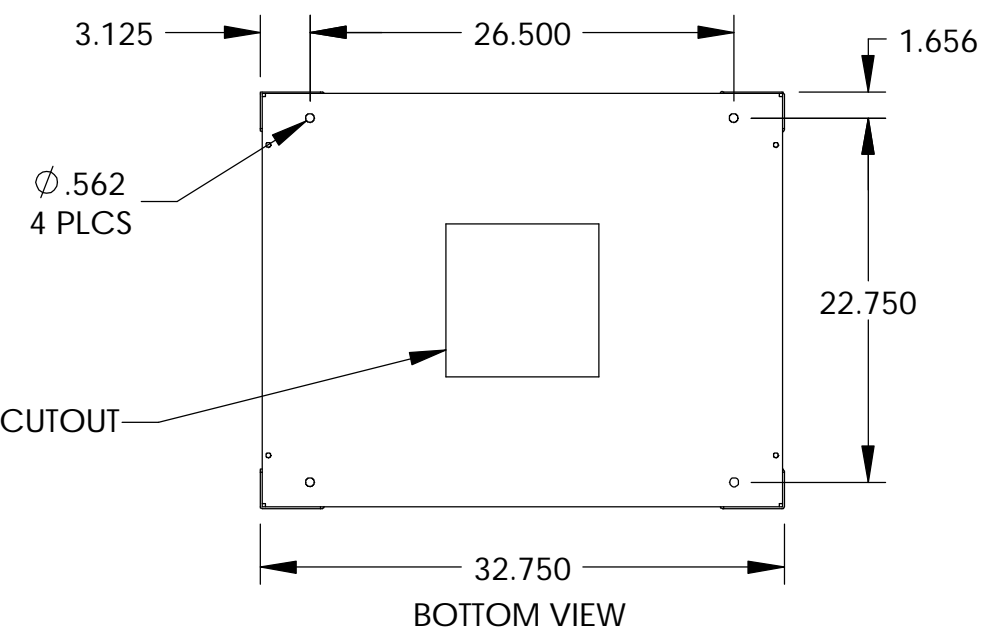
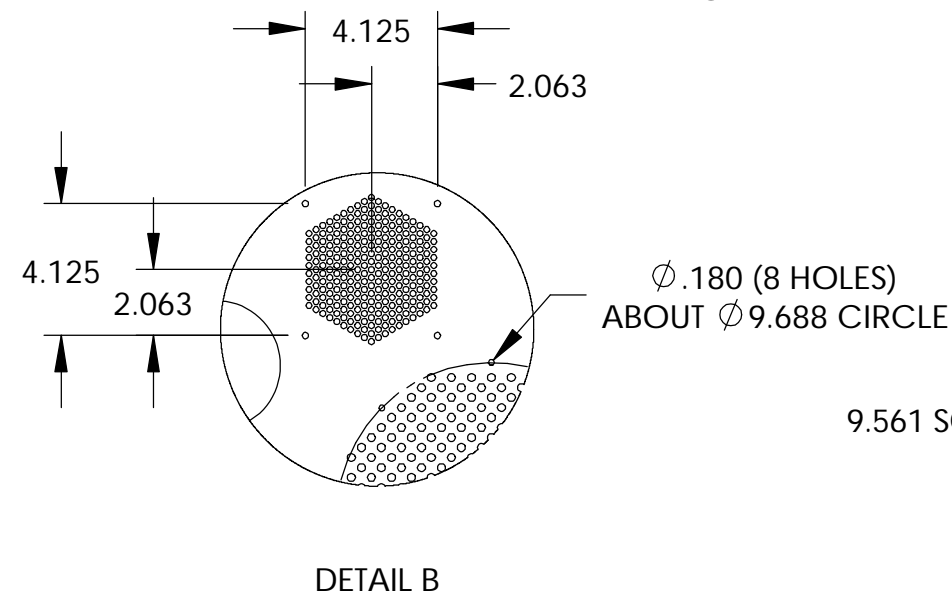
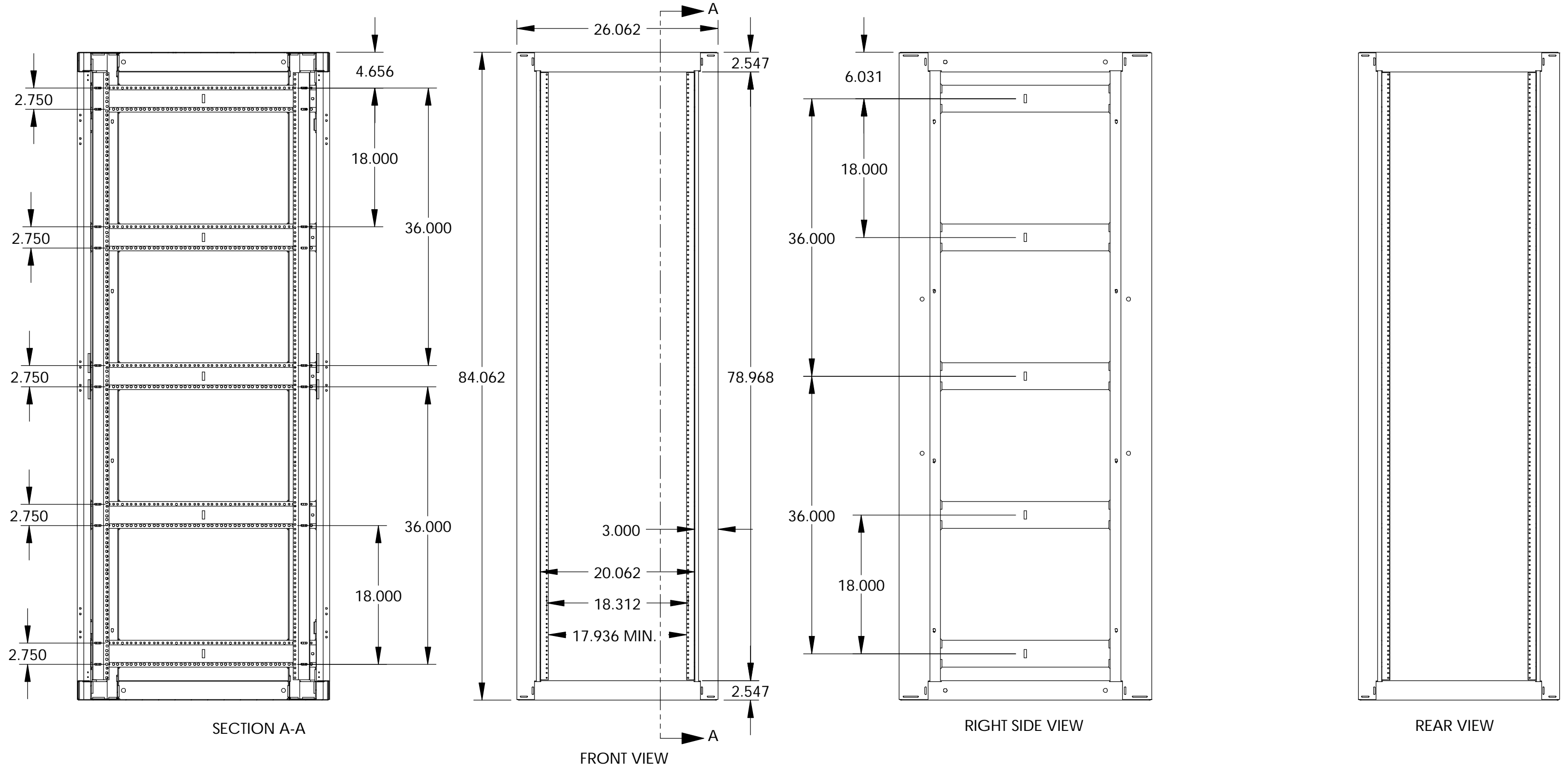
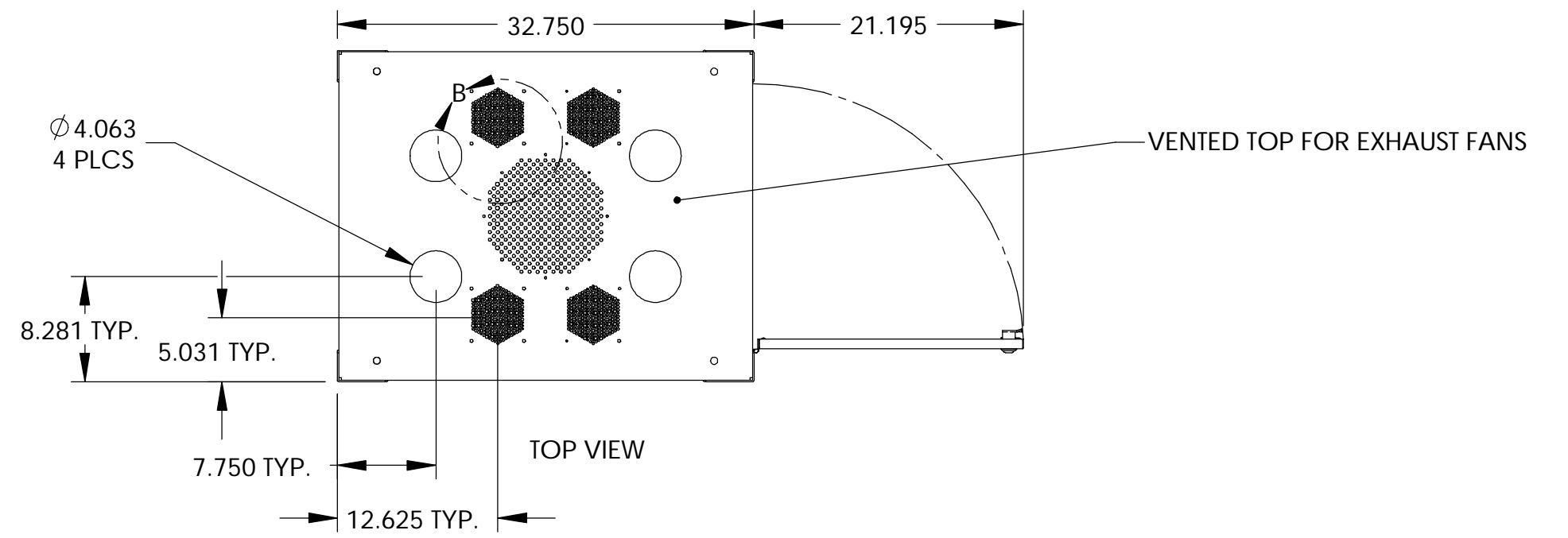
**MATERIAL:**

**FRAME ASSEMBLY COMPONENTS:**

- TOP, BOTTOM & RAIL SUPPORTS \_\_\_\_\_ 14 GA. STEEL
- CORNER RAILS, SUPPORT CHANNELS, & PANEL MOUNTING RAILS \_\_\_\_\_ 12 GA. STEEL
- BOTTOM ANGLES \_\_\_\_\_ 11 GA. STEEL
- SIDES, DOOR ASSEMBLY & DOOR STIFFENER \_\_\_\_\_ (NOT SHOWN) \_\_\_\_\_ 18 GA. STEEL

**FINISH:**

BLACK TEXTURE



**OPTIONAL ACCESSORIES:**

- SOLID STEEL SIDES \_\_\_\_\_ (SCS-8846)
- SOLID STEEL DOORS \_\_\_\_\_ (SCD-8866)
- PLEXIGLAS DOORS \_\_\_\_\_ (SCD-8876)
- ANCHOR KIT \_\_\_\_\_ (AK-8850)
- 10" EXHAUST FAN \_\_\_\_\_ (FN-1282)
- 4.5" EXHAUST FAN \_\_\_\_\_ (FN-1280)