



N Male Low PIM For RG402, PE-SR402FL

TECHNICAL DATA SHEET

PE45002

Configuration

Connector	N Male
Connector Interface Type	RG402, PE-SR402FL
Connector Design	Low PIM
Body Style	Straight

Electrical Specifications

Frequency Range	DC to 6 GHz
Impedance	50 Ohms
Maximum VSWR	1.2:1
Maximum Passive Intermodulation (2 x 20 Watts)	-160 dBc

Frequency 1

Frequency	DC to 3 GHz
VSWR	1.15:1

Mechanical Specifications

Size

Length	0.96 in [24.38 mm]
Width/Dia.	0.75 in [19.05 mm]

Connector

Type	N Male
Contact Material and Plating	Brass, Silver
Hex Size	3/4 inch
Body Material and Plating	Brass, Silver
Dielectric Type	PTFE

Compliance Certifications (visit www.Pasternack.com for current document)

RoHS Compliant

Click the following link (or enter part number in "SEARCH" on website) to obtain additional part information including price, inventory and certifications: [N Male Low PIM For RG402, PE-SR402FL PE45002](#)





N Male Low PIM For RG402, PE-SR402FL

TECHNICAL DATA SHEET

PE45002

Plotted and Other Data

Notes:

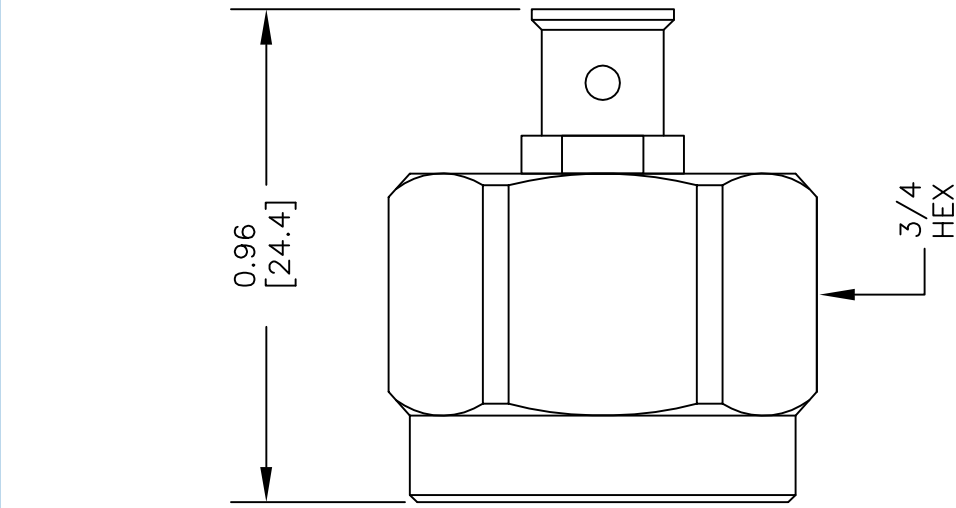
- Values at +25 °C, sea level

N Male Low PIM For RG402, PE-SR402FL from Pasternack Enterprises has same day shipment for domestic and International orders. Our RF, microwave and millimeter wave products maintain a 99% availability and are part of the broadest selection in the industry.

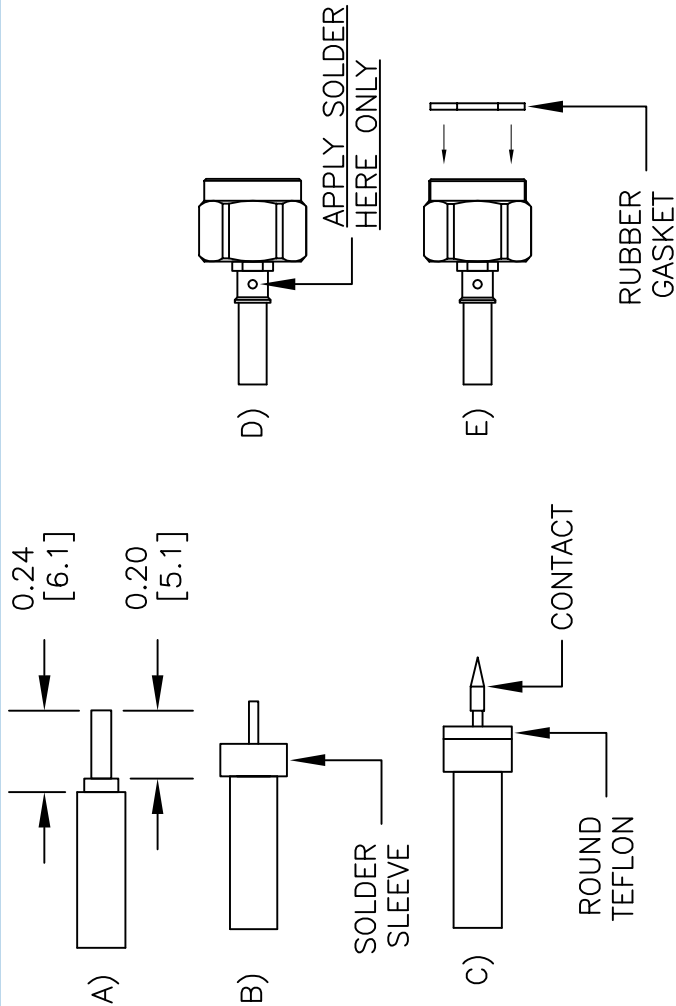
Click the following link (or enter part number in "SEARCH" on website) to obtain additional part information including price, inventory and certifications: [N Male Low PIM For RG402, PE-SR402FL PE45002](http://www.pasternack.com/n-male-standard-rg402-pe-sr402fl-connector-pe45002-p.aspx)

URL: <http://www.pasternack.com/n-male-standard-rg402-pe-sr402fl-connector-pe45002-p.aspx>

The information contained in this document is accurate to the best of our knowledge and representative of the part described herein. It may be necessary to make modifications to the part and/or the documentation of the part, in order to implement improvements. Pasternack reserves the right to make such changes as required. Unless otherwise stated, all specifications are nominal. Pasternack does not make any representation or warranty regarding the suitability of the part described herein for any particular purpose, and Pasternack does not assume any liability arising out of the use of any part or documentation.



**LOW PIM
N MALE**



ASSEMBLY PROCEDURES

1. STRIP CABLE TO DIMENSIONS SHOWN IN (A)
2. INSERT SOLDER SLEEVE ONTO CABLE AND SOLDER ONTO CABLE AS SHOWN IN (B). (NOTE: MAKE SURE TEFLON IS EVEN WITH SLEEVE. CUT OF ANY EXCESS TEFLON AFTER COOLED DOWN)
3. SLIDE ROUND TEFLON OVER CENTER CONDUCTOR AND SOLDER CONTACT ONTO CENTER CONDUCTOR AS SHOWN IN (C).
4. SLIDE BODY ONTO SOLDER SLEEVE, TEFLON, CONTACT AND SOLDER UNTIL HOLE IS FILLED AS SHOWN IN (D). (NOTE: APPLY SOLDER THROUGH SOLDER HOLE ONLY)
5. INSERT (E) RUBBER GASKET INTO CONNECTOR AS SHOWN IN (E)

DWG TITLE

PE45002

FSCM NO. 53919

NOTES:
1. UNLESS OTHERWISE SPECIFIED ALL DIMENSIONS ARE NOMINAL.
2. ALL SPECIFICATIONS ARE SUBJECT TO CHANGE WITHOUT NOTICE AT ANY TIME.
3. DIMENSIONS ARE IN INCHES [mm].

CAD FILE 031414

SIZE A

2233



Pasternack Enterprises, Inc.
P.O. Box 16759 | Irvine | CA | 92623
Phone: (949) 261-1920 | Fax: (949) 261-7451
Website: www.pasternack.com | E-Mail: sales@pasternack.com