

rotronic

Datenblatt - Fiche technique - Data sheet

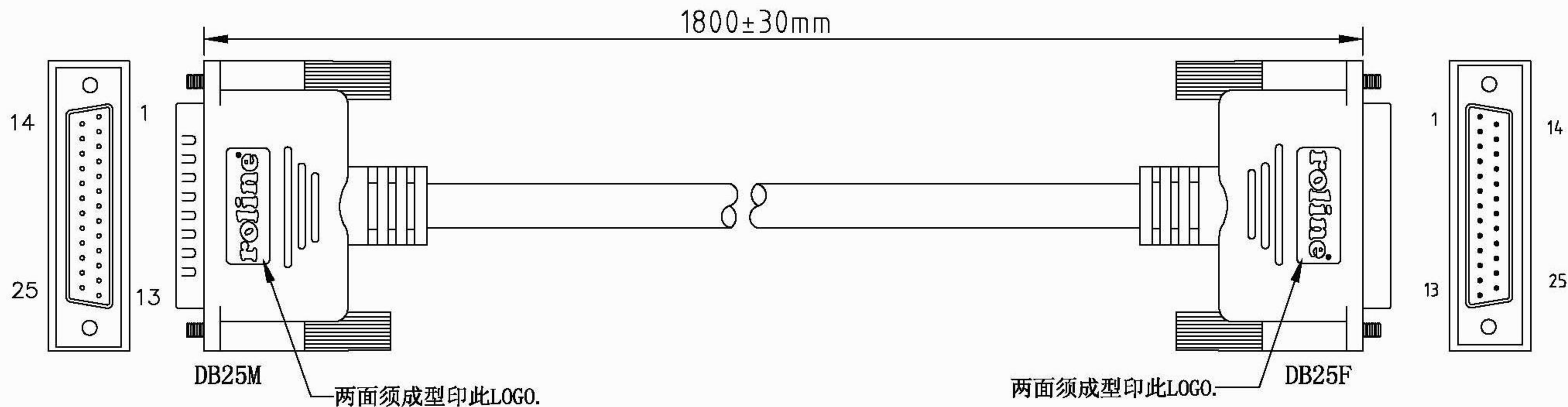
11.01.3630



ROLINE RS232 Kabel ST-BU

ROLINE Câble RS-232 M/F

ROLINE RS232 Cable, M – F



NOTE: 注:线材用RLA专用米色!! 包装方式:1PCS PE BAG+吊卡+条码贴纸包装

1. CABLE: 28AWG,NON-UL,AL-FOIL,25C+1,(RLA)BEIGE COLOR,OD=7.0mm,PVC JACKET.

2. LENGTH: 1800mm

3. CONNECTORS: DB25M*1PCS,DB25F*1PCS (黑膠芯)

4. MOLD: 成型APPLE模——成型APPLE模

5. SCREW: 4*40 INCH SCREW*4PCS.

6. CONTACTS:

| | | | | | | | | |
|-------|---|---|---|---|-------|----|----|----|
| DB25M | 1 | 2 | 3 | 4 | | 24 | 25 | 64 |
| DB25F | 1 | 2 | 3 | 4 | | 24 | 25 | 64 |

7. OPEN/SHORT TEXT 100% TEXT.

INSULATION: MIN. 2M.

8. ALL MUST BE ROHS COMPLIANT.

| 料号 | 颜色 | 长度 |
|------------|---------|-----------|
| 11.01.3618 | RLA(米色) | 1800±30mm |
| 11.01.3630 | RLA(米色) | 3000±30mm |
| 11.01.3645 | RLA(米色) | 4500±30mm |
| 11.01.3660 | RLA(米色) | 6000±30mm |

| | | | | | | | | | |
|----------|------------|-------------|-------------|------------|----|-------|--------------------|-------------|--|
| COMPANY | RLA | | ITEM NO. | 11.01.3618 | 編號 | B3863 | Rotronic Co., Ltd. | SCALE | |
| REVISION | DATE | DISCRIPTION | DRAWN BY | | | | | UNIT(mm) | |
| REV.A/0 | 2006.04.27 | C9-2604033 | DESIGNED BY | | | | | DRAWING NO. | |
| | | | APPROVAL BY | | | | | | |