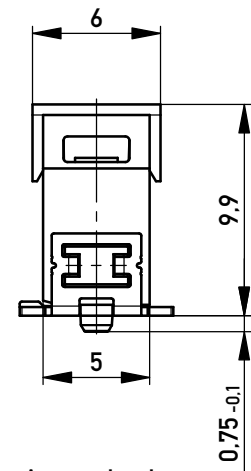
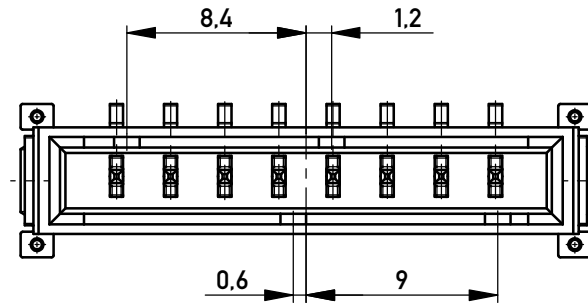


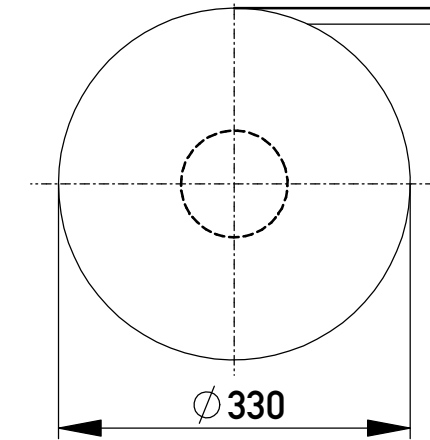
Ansaughaube  
hood



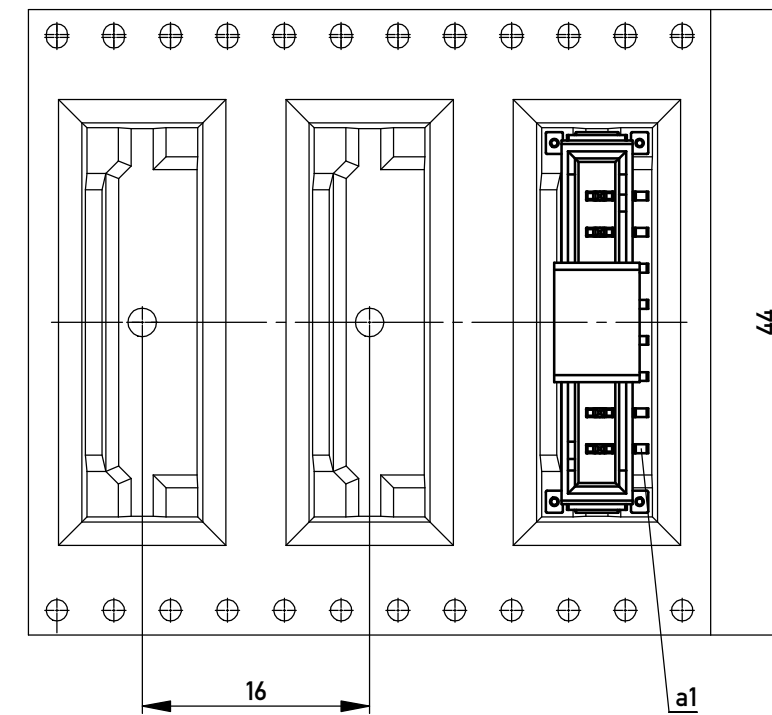
ohne Ansaughaube  
without hood



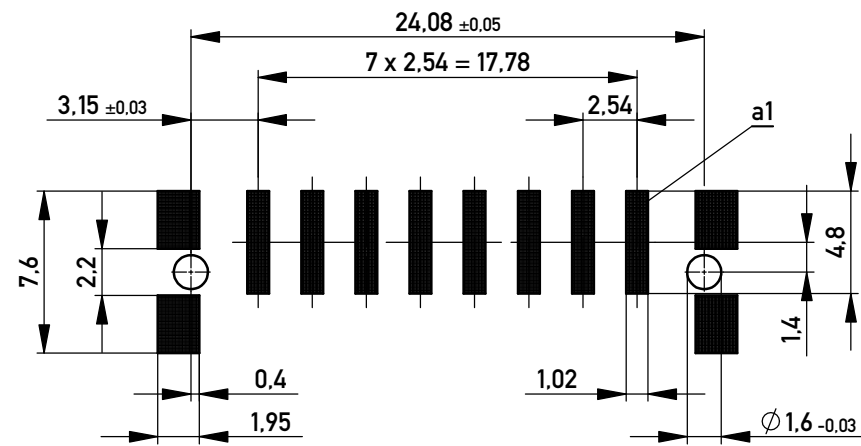
Verpackt in Gurtverpackung  
Tape on Reel Packaging  
Verpackungseinheit: 320 Stück  
Packaging unit: 320 pcs



Abspulrichtung - Reel off Direction



Leiterplatten-Layout Vorschlag für SMT  
PCB-Layout Proposal for SMT



Anforderungsstufe 1  
Performance Level 1

Kontaktbereich vergoldet  
Mating Area gold plating

Anschlussbereich verzinkt 4-6 µm  
Terminal Area 4-6 µm tin plating

Koplanarität der Anschlüsse ≤ 0,1 mm  
Coplanarity Area of Termination ≤ 0,1 mm

Copyright by ERNI GmbH Proprietary notice pursuant to ISO 16016 to be observed.	Information: Codierung: schwarz - coding. black	Tolerances  All Dimensions in mm	Scale 3:1
	All rights reserved. Only for Information. To ensure that this is the latest version of this drawing, please contact one of the ERNI companies before using.	Subject to modification without prior notice. Drawing will not be updated.	Designation <b>M 2,54 SRC-P, 8-polig</b>
g Index	30.04.2013 Date	www.ERNI.com	<b>100602000001</b>
		Class SRCP	K A3