

### FEATURES

- Triple Video Line Driver Chip with RGB Inputs
- $R_L=150\ \Omega$  (75  $\Omega$  Back-Terminated Cable)
- Internal Feedback and Bias Circuitry
- Power-Down Standby Mode
- Very Small 5.0 x 4.4 mm Package
- Low Power Dissipation: 130 mW
- 1  $V_{P-P}$  Input Range, 6 dB Voltage Gain
- Flat Response  $f_{IN} = 100\ \text{kHz}$  to 10 MHz (typical)
- Crosstalk -35 dB (Typical)
- Single +5 Volt Power Supply

### APPLICATIONS

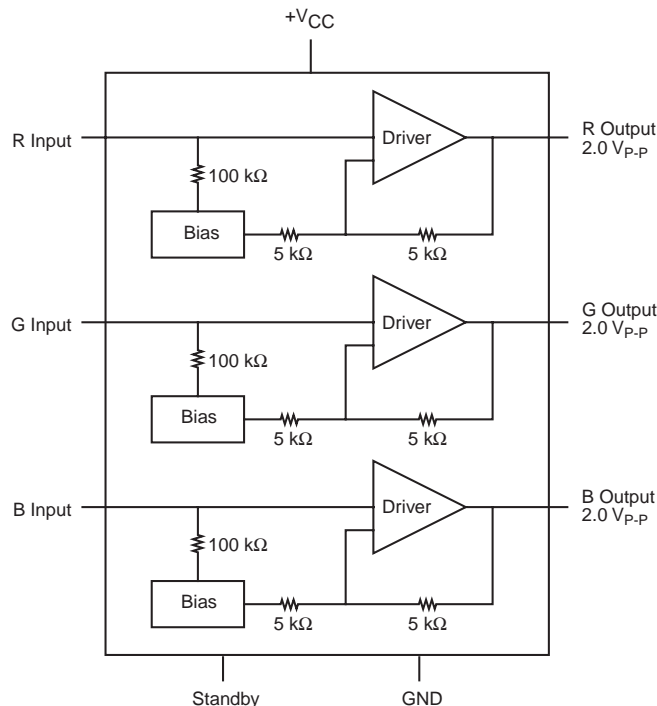
- RGB Video Line Driver Applications
- Video Line Driver for RGB Encoders
- Digital Video Tape Recorders
- Video Cassette Recorders
- PC Multimedia
- Consumer Video

### GENERAL DESCRIPTION

The SPT9401 is a triple video line driver chip that takes standard RGB (Red, Green and Blue) analog inputs and provides RGB analog outputs for driving 150  $\Omega$  loads (75  $\Omega$  back-terminated cables). The standard RGB input signals (1  $V_{P-P}$ ) are each internally biased at 2.3 V and amplified 6 dB to produce a 2  $V_{P-P}$  into an AC-coupled 150  $\Omega$  load. The

SPT9401 features a standby mode which draws only 113  $\mu\text{W}$  of power. Nominal power dissipation (no input) is typically 130 mW. It requires a single +5 V supply, operates over the commercial temperature range (0 to +70  $^{\circ}\text{C}$ ) and is available in a very small (5.0 x 4.4 mm) 12-lead Shrink Small Outline Package (SSOP).

### BLOCK DIAGRAM



**Signal Processing Technologies, Inc.**

4755 Forge Road, Colorado Springs, Colorado 80907, USA

Phone: (719) 528-2300 FAX: (719) 528-2370

## ABSOLUTE MAXIMUM RATINGS (Beyond which damage may occur)<sup>(1)</sup> 25 °C

### Supply Voltages

V<sub>CC</sub> ..... +6.0 V

### Maximum Power Dissipation

P<sub>D</sub> ..... 350 mW

### Thermal Impedance (T<sub>A</sub>=+25 °C and above)

θ<sub>CA</sub> ..... 2.8 mW/°C

### Temperature

Operating Temperature ..... 0 to +70 °C

Storage Temperature ..... -55 to +150 °C

**Note:** 1. Operation at any Absolute Maximum Rating is not implied. See Electrical Specifications for proper nominal applied conditions in typical applications.

## ELECTRICAL SPECIFICATIONS

T<sub>A</sub> = +25 °C, V<sub>CC</sub> = +5.0 V, V<sub>IN</sub> = 1.0 V<sub>P-P</sub> video signal, R<sub>L</sub> = 150 Ω, unless otherwise specified.

PARAMETERS	TEST CONDITIONS	TEST LEVEL	SPT9401			UNITS
			MIN	TYP	MAX	
Power Supply						
Supply Current (I <sub>CC</sub> )	No Input	I		26.0	35.0	mA
V <sub>CC</sub> Voltage		IV	4.5	5.0	5.5	V
Power Dissipation		I		130	175	mW
Standby Current	Pin 5 Grounded	I		22.5	50.0	μA
Standby Power Dissipation	Pin 5 Grounded	I		113		μW
Digital Input						
Digital Input (Low)	Standby Pin 5	I	0.0	0.1	0.3	V
Digital Input (High)	Standby Pin 5	I	1.8	2.0	V <sub>CC</sub>	V
Bias Voltages						
Bias Voltage	Input Pins 2,4,6	I	2.0	2.3	2.6	V
Dynamic Performance						
Voltage Gain		I	5.4	5.9	6.4	dB
Total Harmonic Distortion	f <sub>IN</sub> = 1 kHz	I		0.2	1.0	%
Frequency Response	f <sub>IN</sub> = 0.1 to 10 MHz	V		-0.5		dB
Cross Talk	f <sub>IN</sub> = 1 MHz	V		-35		dB

### TEST LEVEL CODES

All electrical characteristics are subject to the following conditions:

All parameters having min/max specifications are guaranteed. The Test Level column indicates the specific device testing actually performed during production and Quality Assurance inspection. Any blank section in the data column indicates that the specification is not tested at the specified condition.

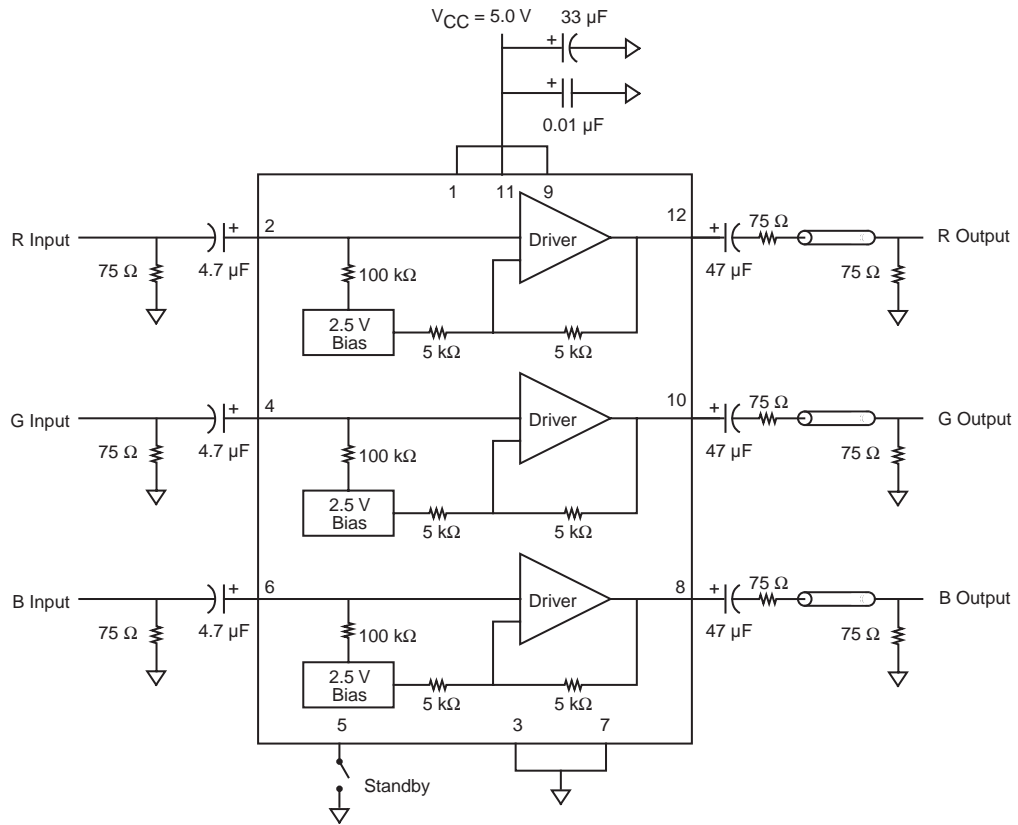
### TEST LEVEL

I  
II  
III  
IV  
V  
VI

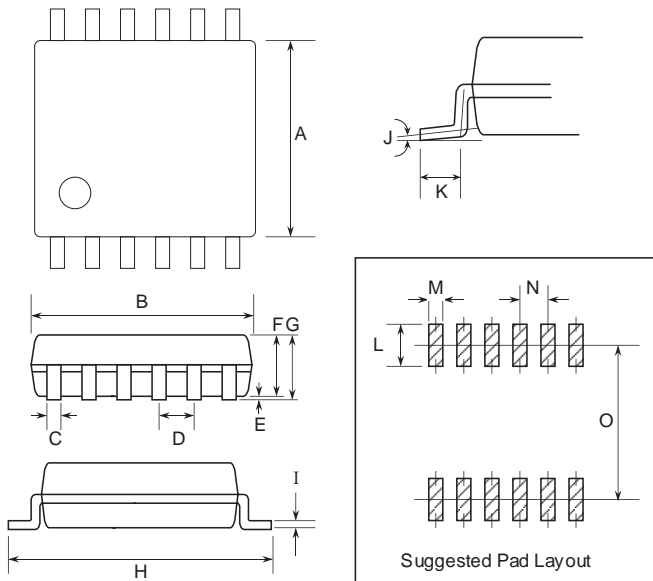
### TEST PROCEDURE

100% production tested at the specified temperature.  
100% production tested at T<sub>A</sub> = +25 °C, and sample tested at the specified temperatures.  
QA sample tested only at the specified temperatures.  
Parameter is guaranteed (but not tested) by design and characterization data.  
Parameter is a typical value for information purposes only.  
100% production tested at T<sub>A</sub> = +25 °C. Parameter is guaranteed over specified temperature range.

**Figure 1 - Typical Interface Circuit**

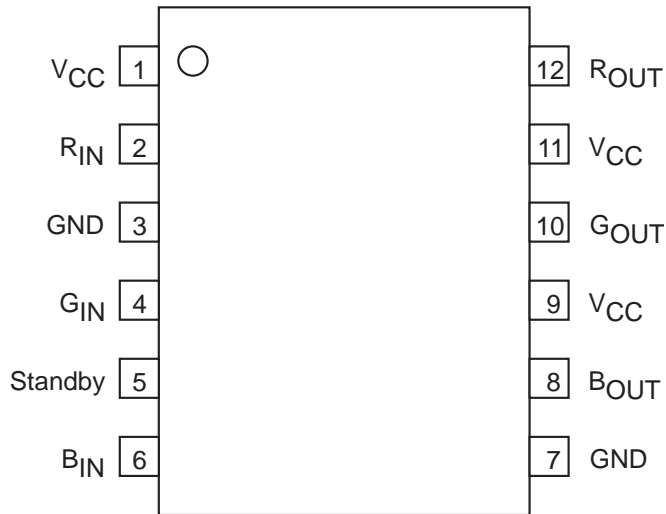


**PACKAGE OUTLINE**  
12-Lead SSOP



SYMBOL	INCHES		MILLIMETERS	
	MIN	MAX	MIN	MAX
A	0.165	0.181	4.2	4.6
B	0.189	0.205	4.8	5.2
C	0.012 typ		0.3 typ	
D	0.031 typ		0.8 typ	
E	0.000	0.008	0.0	0.2
F	0.047	0.063	1.2	1.6
G		0.067 max		1.7 max
H	0.264	0.248	6.7	6.3
I	0.004	0.010	0.10	0.25
J	0-10°		0-10°	
K	0.012	0.028	0.3	0.7
L	0.047 typ		1.2 typ	
M	0.016 typ		0.4 typ	
N	0.031 typ		0.8 typ	
O	0.213 typ		5.4 typ	

## PIN ASSIGNMENTS



## PIN FUNCTIONS

Name	Function
R <sub>IN</sub>	Red (R) Signal Input (typically 1 V <sub>P-P</sub> , AC coupled)
G <sub>IN</sub>	Green (G) Signal Input (typically 1 V <sub>P-P</sub> , AC coupled)
B <sub>IN</sub>	Blue (B) Signal Input (typically 1 V <sub>P-P</sub> , AC coupled)
R <sub>OUT</sub>	Red (R) Output (typically 2.0 V <sub>P-P</sub> , R <sub>L</sub> = 150 Ω, AC coupled)
G <sub>OUT</sub>	Green (G) Output (typically 2.0 V <sub>P-P</sub> , R <sub>L</sub> = 150 Ω, AC coupled)
B <sub>OUT</sub>	Blue (B) Output (typically 2.0 V <sub>P-P</sub> , R <sub>L</sub> = 150 Ω, AC coupled)
Standby	Power Down Standby Mode Select (Low = Standby, Internal Pull-Up)
V <sub>CC</sub>	+5.0 V Supply
GND	Ground

## ORDERING INFORMATION

PART NUMBER	TEMPERATURE RANGE	PACKAGE TYPE
SPT9401SCR	0 to +70 °C	12-Lead SSOP

Signal Processing Technologies, Inc. reserves the right to change products and specifications without notice. Permission is hereby expressly granted to copy this literature for informational purposes only. Copying this material for any other use is strictly prohibited.

**WARNING - LIFE SUPPORT APPLICATIONS POLICY** - SPT products should not be used within Life Support Systems without the specific written consent of SPT. A Life Support System is a product or system intended to support or sustain life which, if it fails, can be reasonably expected to result in significant personal injury or death.

Signal Processing Technologies believes that ultrasonic cleaning of its products may damage the wire bonding, leading to device failure. It is therefore not recommended, and exposure of a device to such a process will void the product warranty.