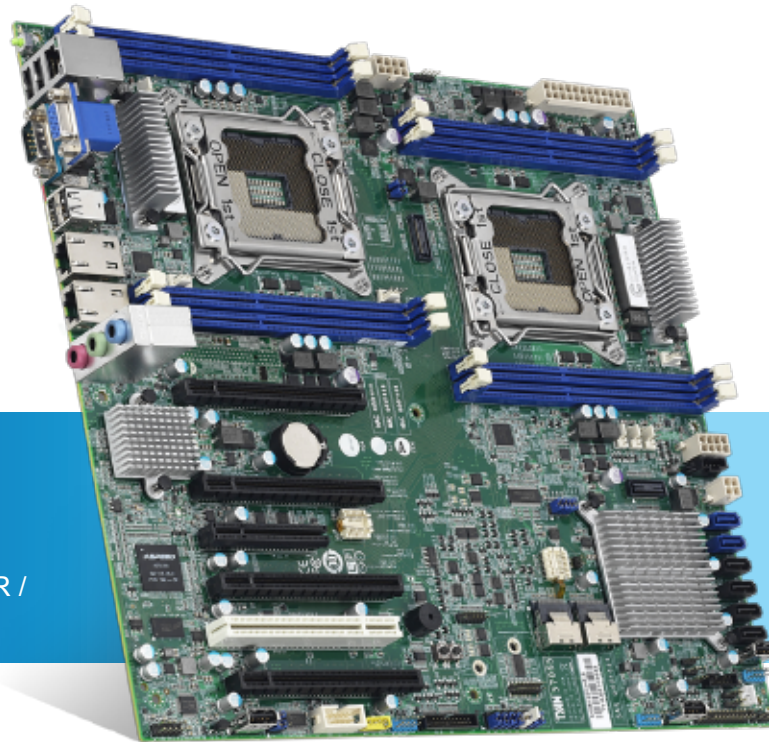
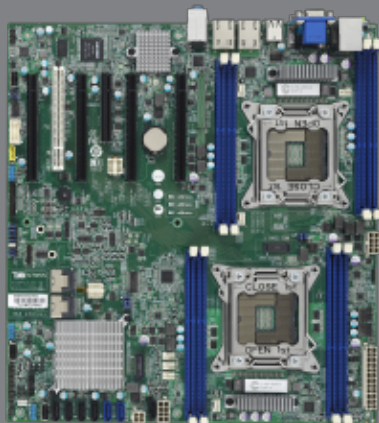


## DUAL-SOCKET GPGPU PLATFORM



### S7055

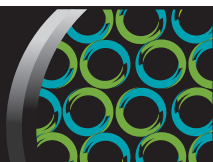
S7055AGM3NR / S7055WGM3NR / S7055WAGM3NR / S7055AGM3NR-2T(BTO)



■ Intel® C602 Chipset

High-end dual-socket server platform for HPC and GPU applications

- Dual LGA2011 socket supports (2) E5-2600/E5-2600 v2 Series CPU
- Intel® C602 PCH and INTEL SAS ROM key design
- (4+4) 240-pin UDIMM/RDIMM/LRDIMM ECC 1066/1333/1600/1866  
\*Speed 1866 only for 1 slot per channel 1.5V(Blue color DIMM slot )
- Support up to 128GB RDIMM/64GB URDIMM memory
- (4) PCI-E Gen3 x16 slots
- (1) PCI-E Gen2 x8 slots
- (4) SATA-II connectors w/ RAID 0, 1, 10, 5 support
- (2) SATA-III connectors
- (2) 10GbE Base-T Capability (S7055AGM3NR-2T)
- ◆ up to (3) GbE LAN
- ◆ SSI EEB (12" x 13") form factor

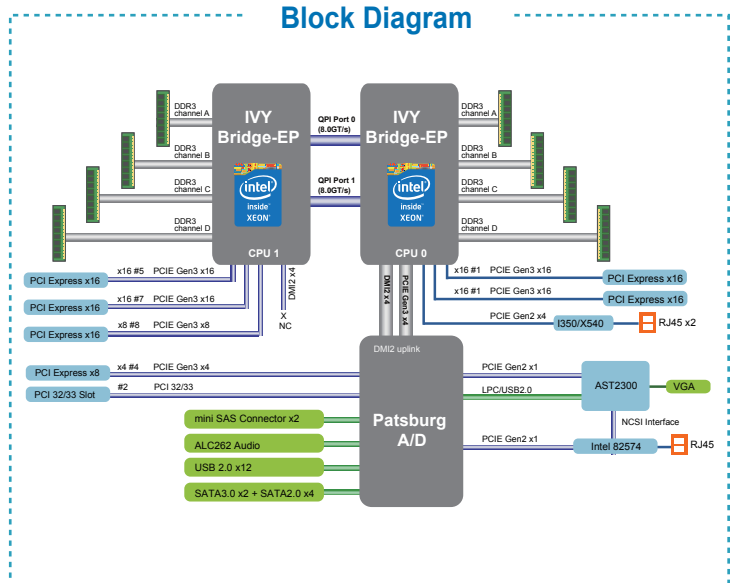


# S7055

S7055AGM3NR / S7055WGM3NR / S7055WAGM3NR / S7055AGM3NR-2T(BTO)

# TYAN Specifications

Processor	<b>Supported CPU Series</b>	Intel Xeon Processor E5-2600/E5-2600 v2 Series
	<b>Socket Type / Q'ty</b>	LGA2011 / (2)
	<b>Thermal Design Power (TDP) wattage</b>	150W
Chipset	<b>PCH / PCI-E Switch</b>	Intel® C602 series -W sku include INTEL ROM 5 key
	<b>Supported DIMM Qty</b>	(4+4) DIMM sockets
Memory	<b>DIMM Type / Speed</b>	UDIMM/RDIMM/LRDIMM ECC 1066/1333/1600/1866 *Speed 1866 only for 1 slot per channel 1.5V(Blue color DIMM slot)
	<b>Capacity</b>	up to 128GB UDIMM / 64GB RDIMM
	<b>Memory channel</b>	4 Channels per CPU
	<b>Memory voltage</b>	1.35V/1.5V
	<b>Expansion Slots</b>	<b>PCI-E</b>
LAN	<b>Port Q'ty</b>	(3) GbE ports
	<b>Controller</b>	Intel® 82574L / Intel® I350-BT2 (S7055AGM3NR / S7055WGM3NR / S7055WAGM3NR) Intel® 82574 / Intel® X540AT2 (S7055AGM3NR-2T)
	<b>Storage</b>	<b>SAS (opt.)</b>
Graphic	<b>Connector type</b>	D-Sub 15-pin
	<b>Resolution</b>	-
	<b>Chipset</b>	Aspeed AST2300
Audio	<b>Chipset</b>	ALC261(S7055AGM3NR SKU)
	<b>Version</b>	-
Input /Output	<b>USB</b>	(11) USB2.0 ports (4 at rear, 6 via cable, 3 type A onboard)
	<b>COM</b>	(1) DB-9 COM connector (at rear, COM1) + (1) Header (COM2)
	<b>Audio</b>	Line-in, Line out, MIC-in
	<b>VGA</b>	(1) D-Sub 15-pin VGA port
	<b>DVI</b>	-
	<b>Display Port</b>	-
	<b>Power</b>	SSI 24-pin + 8-pin + 4-pin power connectors
	<b>RJ-45</b>	(3) GbE ports
	<b>Power</b>	SSI/ATX 24-pin + 8-pin + 8-pin power connectors
	<b>Front Panel</b>	(1) 2x12-pin SSI front panel header
	<b>SATA</b>	(4) SATA-II, (2) SATA-III connectors
	System Monitoring	<b>Chipset</b>
<b>Voltage</b>		Monitors voltage for CPU, memory, chipset & power supply
<b>Fan</b>		Total (7) 4-pin headers
<b>Temperature</b>		Monitors temperature for CPU & system environment



Server Management	<b>Onboard Chipset</b>	Onboard Aspeed AST2300
	<b>AST2300 IPMI Feature</b>	IPMI 2.0 compliant baseboard management controller (BMC) Supports storage over IP and remote platform-flash USB 2.0 virtual hub
	<b>AST2300 iKVM Feature</b>	24-bit high quality video compression 10/100 Mb/s MAC interface
BIOS	<b>Brand / ROM size</b>	AMI / 8MB
	<b>Feature</b>	Plug and Play (PnP) /PCI2.3 /WfM2.0 /SMBIOS2.3 /PXE boot / ACPI 2.0 power management /Power on mode after power recovery / User-configurable H/W monitoring / Auto-configurable of hard disk types
Form Factor	<b>Form Factor</b>	SSI EEB
	<b>Board Dimension</b>	12"x13" (305x330mm)
Operating System	<b>OS supported list</b>	Please refer to our OS supported list.
Regulation	<b>FCC (DoC)</b>	Class B
	<b>CE (DoC)</b>	Yes
Operating Environment	<b>Operating Temp.</b>	10° C ~ 35° C (50° F~ 95° F)
	<b>Non-operating Temp.</b>	- 40° C ~ 70° C (-40° F ~ 158° F)
	<b>In/Non-operating Humidity</b>	90%, non-condensing at 35° C Non-operating Relative Humidity: 10% to 95% (non-condensing)
RoHS	<b>RoHS 6/6 Complaint</b>	Yes
ErP/EuP		Yes

(Specifications are subject to change without notice. Items pictured may only be representative.)

## MITAC INTERNATIONAL CORP.

TYAN Business Unit

USA  
Tel: +1-510-651-8868  
Fax: +1-510-651-7688

Taiwan  
Tel: +886-2-2652-5888  
Fax: +886-2-2652-5805

Japan  
Tel: +81-3-3769-8311  
Fax: +81-3-3769-8328

Europe  
Sales: +32 2456 1721  
Technical Support: +32 2456 1722

China  
Shanghai Tel: +86-21-61431188 Ext 1366  
China Tel: +86-010-62555015 Ext 8302