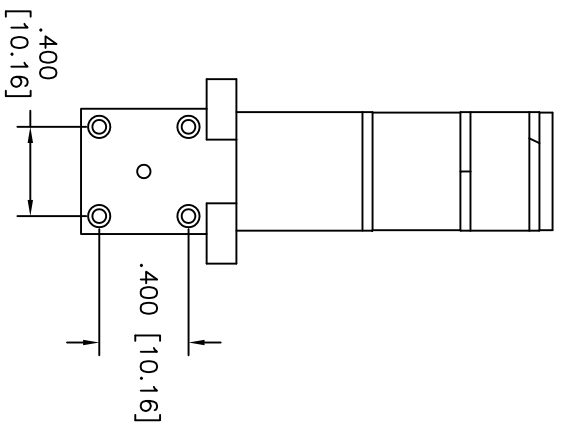
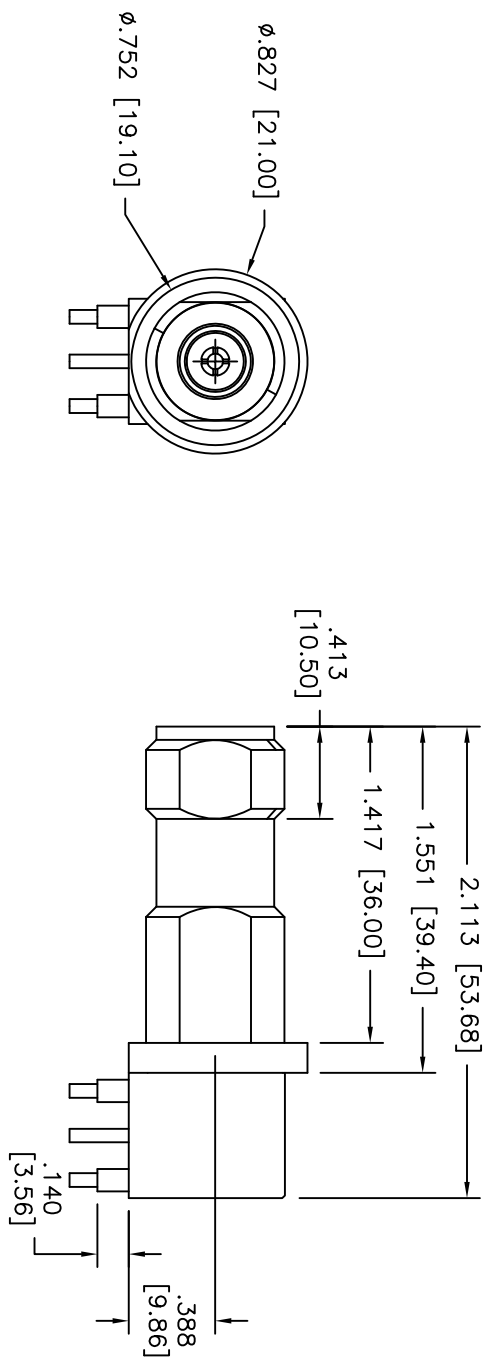


Rev	AWO #	Description	Date	Appr
-		RELEASED	8/04/10	

APPROVED: _____
 DATE: _____ TITLE: _____



INSULATOR	TEFLON	NONE
PIN	BRASS	GOLD
BODY	ZINC	NICKEL
DESCRIPTION	MATERIAL	FINISH

UNLESS OTHERWISE SPECIFIED
 ALL DIMENSIONS ARE INCHES [MM]
 TOLERANCES: EXCEPT AS NOTED
 INCHES HOLES
 .X ± .10 ØX ± .10
 .XX ± .020 ØXX ± .015
 .XXX ± .015 ØXXX ± .010

ADAM TECH
 909 Rahway Avenue, Union, NJ 07083
 Phone: 908-687-5000 Fax: 908-687-5710

TITLE
 PROTON N TYPE PCB MOUNT 001.SLDPR1

APPROVALS		DATE
DRAWN	DY	8/04/10
CHECKED		
APPROVED		

SIZE	PART NO.	REV.
X	RF5-500-1	-

REF: S00054T SCALE: NTS SHEET 1 OF 1

SPECIFICATIONS:
 Environmental:
 Lead free, RoHS compliant.

