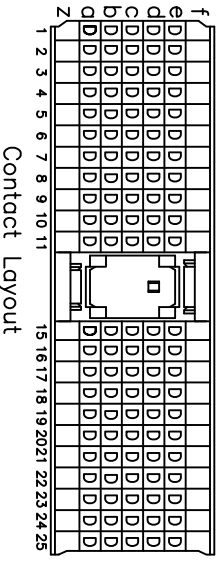
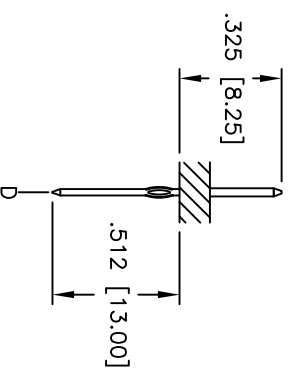
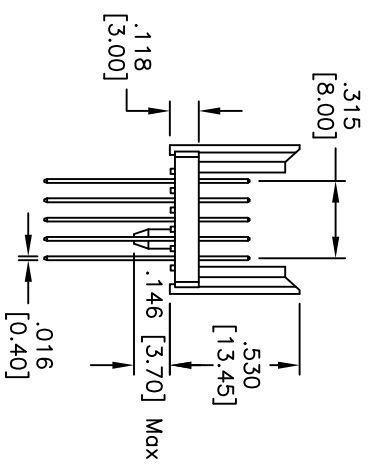
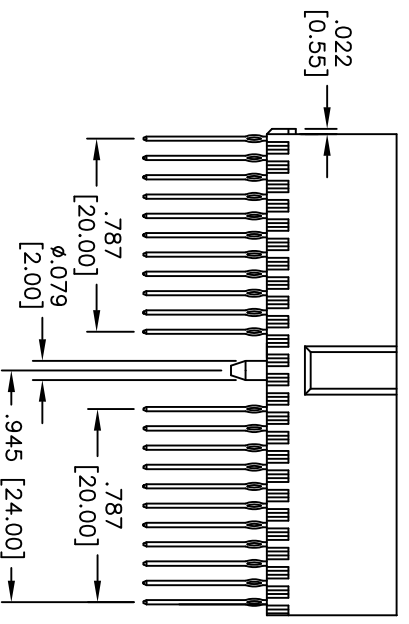
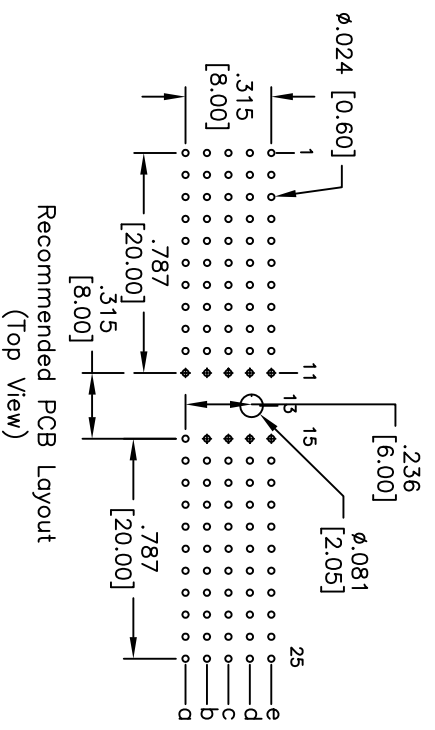
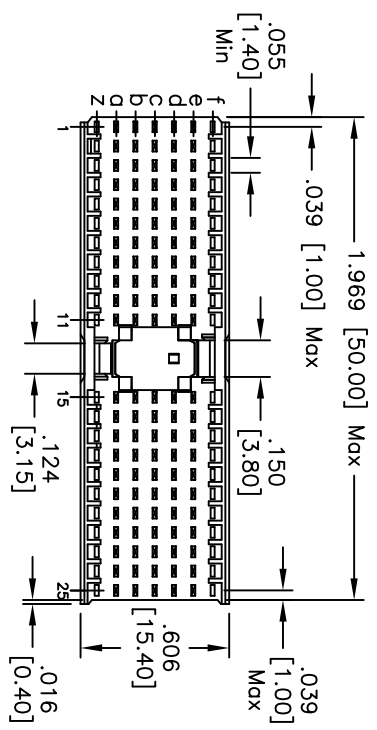


Rev	AWO #	Description	Date	Appr
-		RELEASED	9/07/09	

APPROVED: _____ TITLE: _____
 DATE: _____



SPECIFICATIONS:

Material: Insulator: PBT, glass reinforced, rated UL 94V-0
Insulator color: Beige
Contacts: Phosphor Bronze
Plating: 10u" Gold over Nickel underplate on contact area, Tin over Copper underplate on PCB tails
Electrical: Contact resistance: 20 mohms max
 Insulation resistance: 1000 Mohms min @ 500 VDC
Temperature Rating: Operating temperature: -55°C to +125°C
Environmental: Lead free, RoHS compliant.
 Recommended soldering temp: 235°C for 5 sec.



UNLESS OTHERWISE SPECIFIED
 ALL DIMENSIONS ARE IN INCHES [MM]
 TOLERANCES: EXCEPT AS NOTED
 INCHES HOLEES

X	± .10	ØX	± .10
.XX	± .020	ØXX	± .015
.XXX	± .015	ØXXX	± .010

APPROVALS

DRAWN	DY	DATE	9/07/09
CHECKED			
APPROVED			

ADAM TECH
 909 Railway Avenue, Union, NJ 07083
 Phone: 908-687-5000 Fax: 908-687-5710
 TITLE: .079 [2.00] HARD METRIC CONNECTOR,
 125P, MALE, A TYPE

REF: S00058T	SCALE: NTS	SHEET 1 OF 1
SIZE: X	PART NO: 2PCIA-M-110-D-0	REV: .