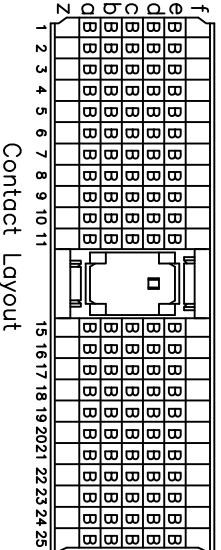
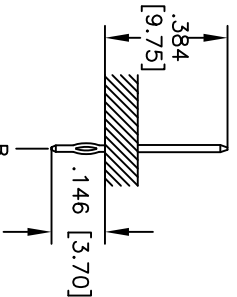
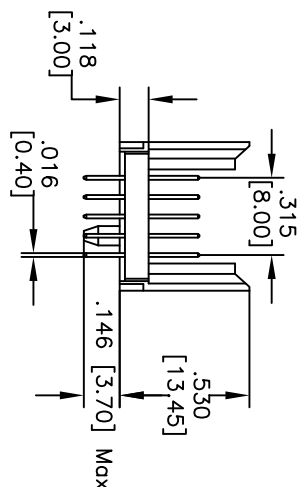
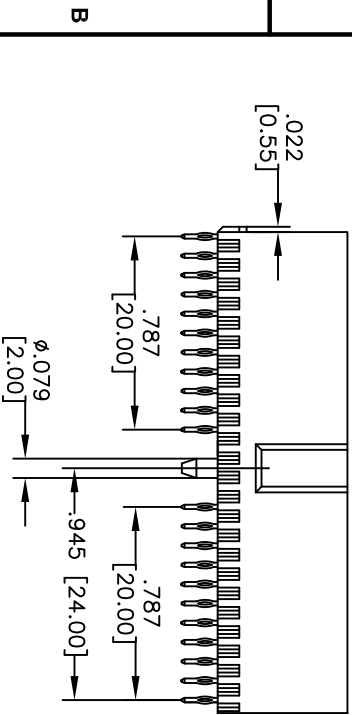
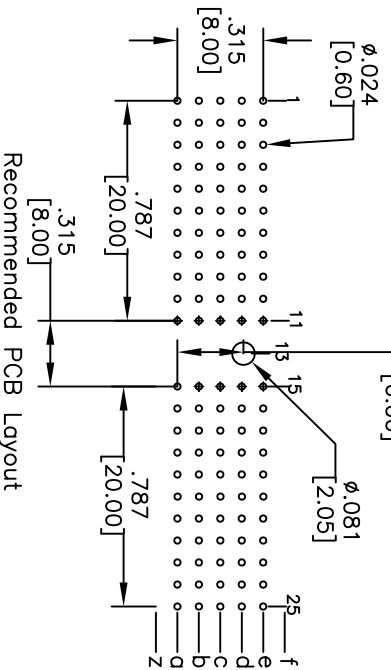
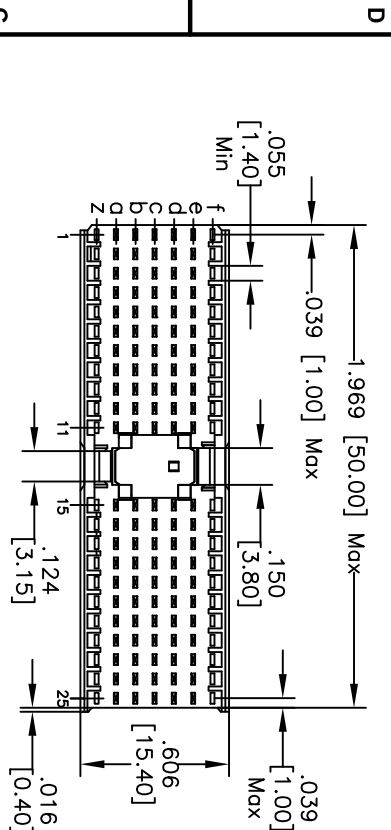


APPROVED: \_\_\_\_\_  
 DATE: \_\_\_\_\_ TITLE: \_\_\_\_\_

Rev	AWO #	Description	Date	Appr
-		RELEASED	4/17/09	
A		REDRAWN	11/09/09	



Contact Layout

**SPECIFICATIONS:**

**Material:** Insulator: PBT, glass reinforced, rated UL 94V-0  
 Insulator color: Beige  
 Contacts: Phosphor Bronze

**Plating:** 10u" Gold over Nickel underplate on contact area, Tin over Copper underplate on PCB tails

**Electrical:** Current rating: 1 Amp  
 Contact resistance: 20 mohms max  
 Insulation resistance: 10000 Mohms min @ 500 VDC  
 Dielectric withstanding voltage: AC 750V for 1 minute  
 Temperature Rating: Operating temperature: -55°C to +105°C

**Environmental:** Lead free, RoHS compliant.  
 Recommended soldering temp: 235°C for 5 sec.



**ADAM TECH**

909 Rahway Avenue, Union, NJ 07083  
 Phone: 908-687-5000 Fax: 908-687-5710

TITLE: .079 [2.00] HARD METRIC CONNECTOR,  
 110P, MALE, A TYPE

UNLESS OTHERWISE SPECIFIED ALL DIMENSIONS ARE IN INCHES [MM]		TOLERANCES: EXCEPT AS NOTED	
INCHES		HOLDS	
.X	± .10	ØX	± .10
.XX	± .020	ØXXX	± .015
.XXX	± .015	ØXXXX	± .010
APPROVALS		DATE	
DRAWN	SS	DATE	4/17/09
CHECKED			
APPROVED			
SIZE	PART NO.	REV.	
X	2PCL-A-M-110-B-0	A	
REF:	S0008T	SCALE:	NIS
		SHEET:	1 OF 1