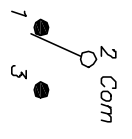
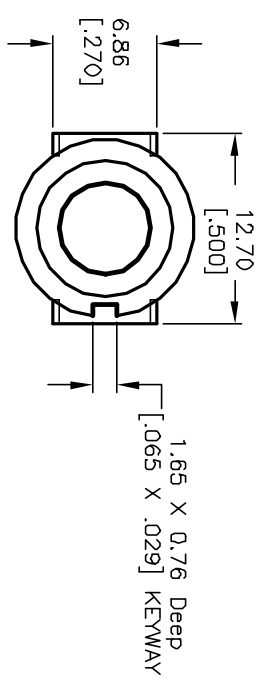


RECOMMENDED P.C.B. LAYOUT



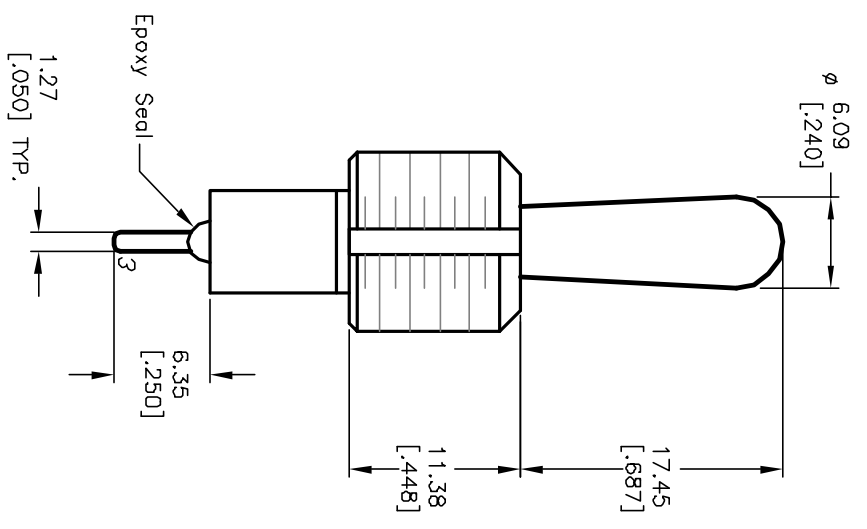
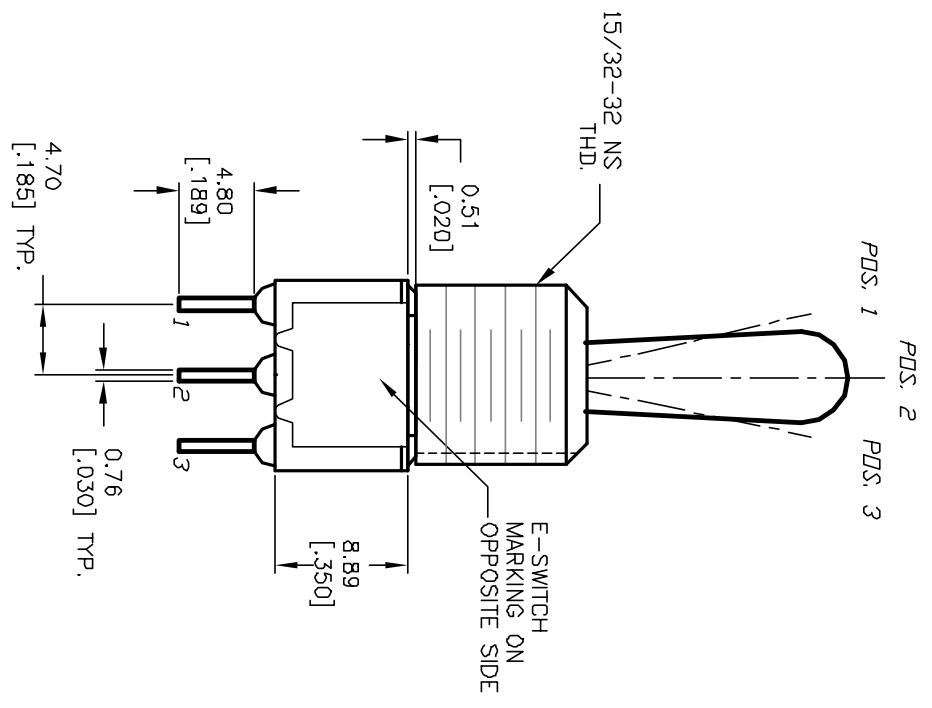
CIRCUIT: SPDT

SWITCH FUNCTION		
POS. 1	POS. 2	POS. 3
<DN>	DEF	<DN>
2-3	DPEN	2-1

() = MOMENTARY

NOTES:

1. ALL DIMENSIONS IN MM [INCH]
2. GENERAL TOLERANCE: X.X=±0.4
X.XX=±0.25
3. TERM. NOS. FOR REF. ONLY
4. RATING: 5A @120VAC OR 28VDC
2A @250VAC
5. FIXED TERM. & MOVING CONTACT;
Copper ALLOY W/Silver plate.
6. ELECTRICAL LIFE: 50,000 make-and-break
cycles at full load.
7. INSULATION RESISTANCE: 1,000M ohm min.
8. DIELECTRIC STRENGTH: 1000V RMS @sea level
9. OPERATING TEMP.: -30°C to 85°C



E-SWITCH®

100 SP-4 T8 B13 M2 Q E

REV.	ECN No.	DESCRIPTION	DATE	CHKD	CJB
B	11719	ADD NOTES	1/27/03		
		DESCRIPTION			

TITLE	SCALE	DATE	DR	DWG	REV
100 SP-4 T8 B13 M2 Q E	2:1	9/02/98	MM	T114031	B

THE INFORMATION CONTAINED IN THIS DOCUMENT IS PRELIMINARY. E-SWITCH AND IS NOT TO BE COPIED OR TRANSMITTED.