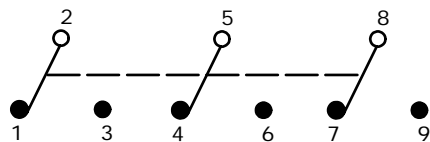
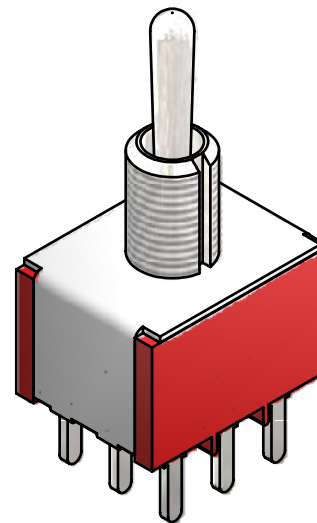
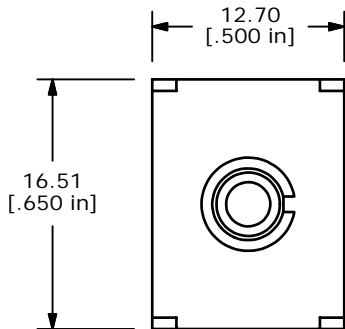


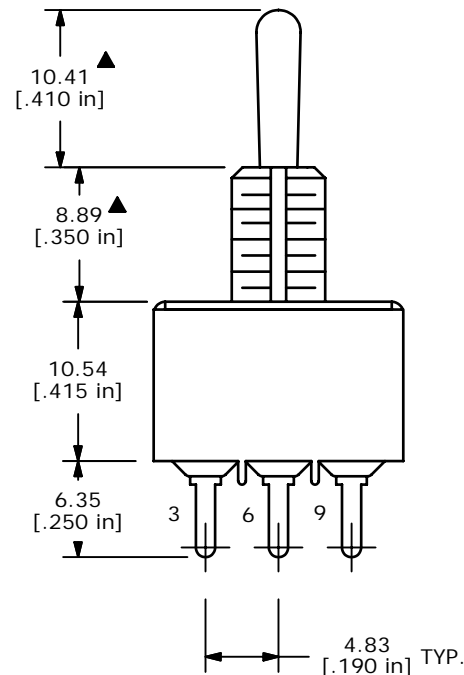
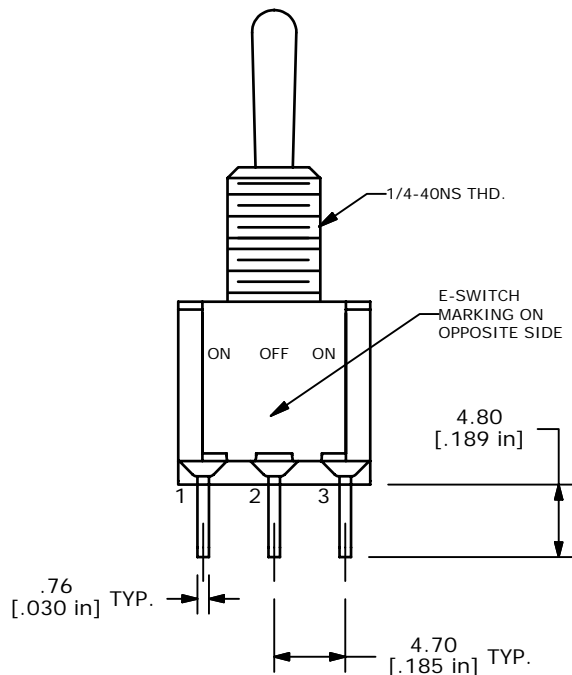
| SWITCH FUNCTION | | |
|-----------------|--------|---------------|
| POS. 1 | POS. 2 | POS. 3 |
| | | |
| ON | OFF | ON |
| 2-3, 5-6, 8-9 | OPEN | 2-1, 5-4, 8-7 |



CIRCUI: 3PDT

NOTE:

1. ALL DIMENSIONS IN MM [INCH]
2. GENERAL TOLERANCE: X.X=±0.4
X.XX=±0.25
3. TERMINAL NUMBERS FOR REF ONLY
- ▲ 4. PLATING MATERIAL: GOLD
5. RATING: .4VA @ 20V MAX, AC OR DC
6. ELECTRIC LIFE: 40,000 make-and-break cycles at full load.
7. INSULATION RESISTANCE: 1,000 Mega-ohm min.
8. DIELECTRIC STRENGTH: 1,000 V RMS @sea level.
9. OPERATING TEMP.: -30°C to 85°C
10. ▲ DENOTES CRITICAL PARAMETER.
11. HARDWARE TO BE SHIPPED BULK:
T100000 HEX NUT - QTY 2
T100015 LOCK RING-QTY 1
T100011 LOCK WASHER-QTY 1
12. 2002/95/EC (RoHS) COMPLIANT



E-SWITCH®

TITLE 1003P3T1B1M2REH

| | | | | |
|-----|--------|-------------------------|---------|----|
| A | 16228 | RELEASED FOR PRODUCTION | 7/13/06 | RC |
| REV | PCR NO | DESCRIPTION | DATE | BY |

THE INFORMATION CONTAINED IN THIS DOCUMENT IS PROPRIETARY TO E-SWITCH AND IS NOT TO BE COPIED OR TRANSFERRED

| | | | | |
|-------|-----------|----|----------|-----|
| SCALE | DATE | DR | DWG | REV |
| 2:1 | 7/13/2006 | RC | ST133007 | A |