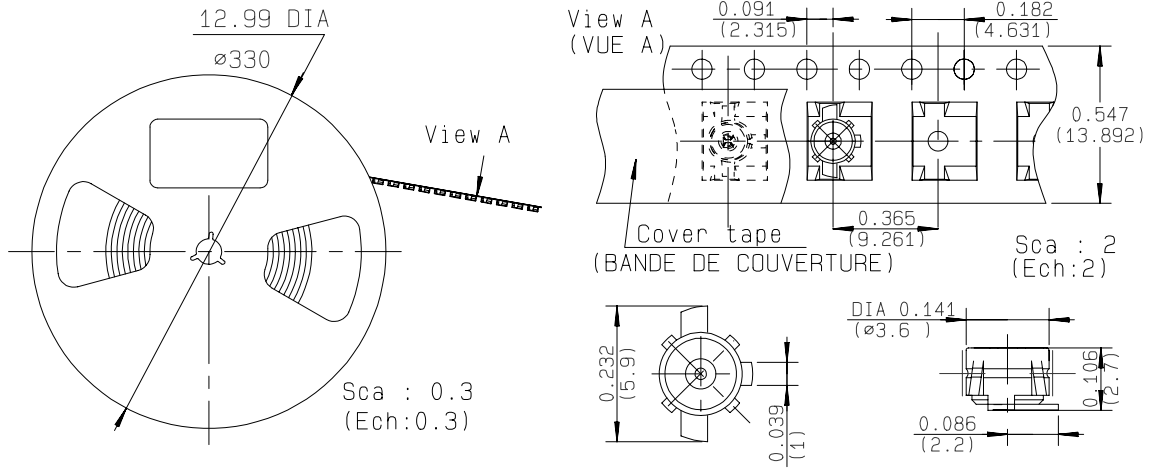


STRAIGHT JACK RECEPTACLE FOR PCB

R210.408.012

SMT TYPE - GOLD 0.2 - REEL OF 100

Series : MMT



All dimensions are in mm.



COMPONENTS	MATERIALS	PLATINGS (µm)
BODY	PHOSPHOR BRONZE	GOLD 0.2 OVER NICKEL 2
CENTER CONTACT	BRASS	GOLD 0.2 OVER NICKEL 2
OUTER CONTACT	PHOSPHOR BRONZE	GOLD 0.2 OVER NICKEL 2
INSULATOR	PTFE	
GASKET	-	-
OTHERS PARTS	-	-
-	-	-
-	-	-

Issue : 0325 A

In the effort to improve our products, we reserve the right to make changes judged to be necessary.



STRAIGHT JACK RECEPTACLE FOR PCB

R210.408.012

SMT TYPE - GOLD 0.2 - REEL OF 100

Series : MMT

PACKAGING

SPECIFICATION

Standard	Unit	Other
100	'W' option	Contact us

ELECTRICAL CHARACTERISTICS

ENVIRONMENTAL

Impedance		50 Ω
Frequency		0-8 GHz
VSWR	1.10 +	0.050 x F(GHz) Maxi
Insertion loss		0.20 √F(GHz) dB Maxi
RF leakage	- (NA - F(GHz)) dB Maxi
Voltage rating		170 Veff Maxi
Dielectric withstanding voltage		500 Veff mini
Insulation resistance		5000 MΩ mini

Operating temperature	-55/+100 ° C
Hermetic seal	NA Atm.cm3/s
Panel leakage	NA

OTHERS CHARACTERISTICS

Assembly instruction

Others :
accouplt : 18Nmax / desacc. : 7Nmin

MECHANICAL CHARACTERISTICS

Center contact retention		
Axial force – Mating end		NA N mini
Axial force – Opposite end		NA N mini
Torque		NA N.cm mini
Recommended torque		
Mating		NA N.cm
Panel nut		NA N.cm
Mating life		500 Cycles mini
Weight		0.100 g

Issue : 0325 A

In the effort to improve our products, we reserve the right to make changes judged to be necessary.



STRAIGHT JACK RECEPTACLE FOR PCB

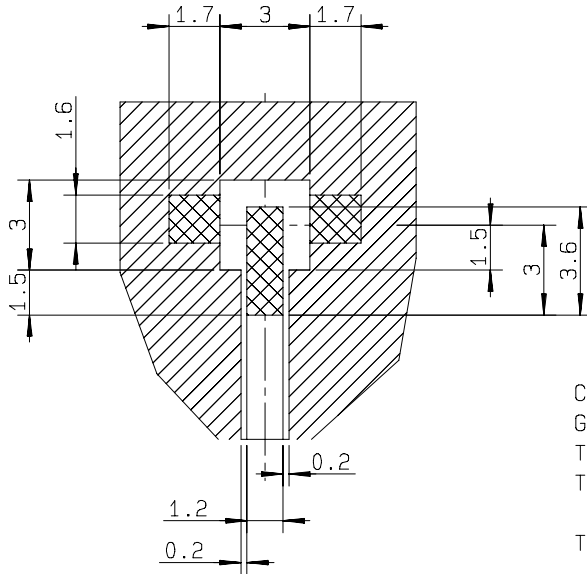
R210.408.012

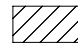

SMT TYPE - GOLD 0.2 - REEL OF 100

Series : MMT

MMT SERIES - INFORMATION

ALL DIMENSIONS IN MM



-  Pattern
-  Land for solder paste

COPLANAR LINE

Ground and signal are on the same side

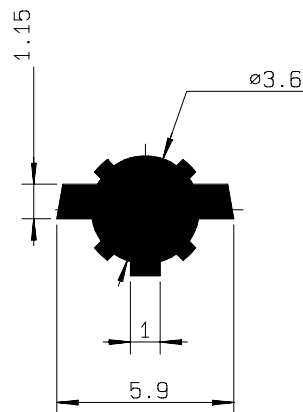
Thickness of PCB : 1 mm

The material of PCB is glass-epoxy composite. (Er = 4.8)

The solder resist should be printed except for the land pattern on the PCB.

ALL DIMENSIONS IN MM

SHADOW OF MMT RECEPTACLE FOR VIDEO CAMERA



Issue : 0325 A

In the effort to improve our products, we reserve the right to make changes judged to be necessary.



STRAIGHT JACK RECEPTACLE FOR PCB

R210.408.012

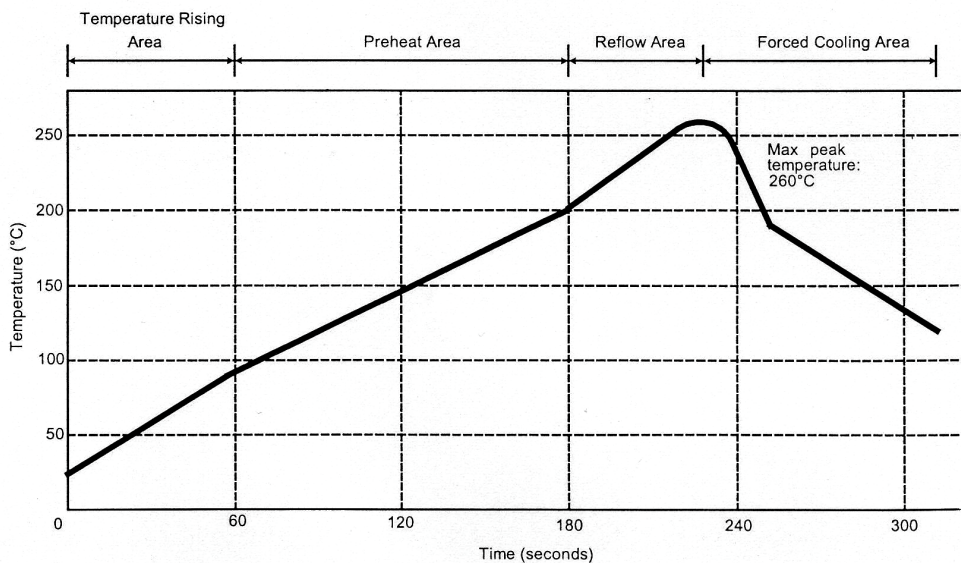
SMT TYPE - GOLD 0.2 - REEL OF 100

Series : MMT

**SOLDER PROCEDURE OF MMT RECEPTACLE
IN INDUSTRIAL ENVIRONMENT**

- 1 – Deposition of solder paste Sn Ag4 Cu0.5 on mounting zone by screen printing application.
We recommend a Low Residue Solid Flux.
We advise a thickness of 200 microns (7.800 microinches). Verify that the edges of the prined zone are clean.
- 2 – Placement of the receptacle on the mounting zone with an automatic machine of « pick and place » type.
A video camera is recommended for positioning of the component. (see page 3)
Adhesive agents must not be used on the receptacle.
- 3 – Soldering by infra-red reflow.
Below, please find the typical profile to use.
- 4 – Cleaning of printed circuit boards
- 5 – Verification of solder joints and position of the component by visual inspection

Note : The MMT receptacle and the MMT plug must not be mated before completion of this procedure.



Parmeter	Value	Unit
Temperature rising Area	1 - 4	°C/sec
Max Peak Temperature	260	°C
Max dwell time @260°C	10	sec
Min dwell time @235°C	20	sec
Max dwell time @235°C	60	sec
Temperature drop in cooling Area	-1 to - 4	°C/sec
Max dwell time above 100°C	420	sec

Issue : 0325 A

In the effort to improve our products, we reserve the right to make changes judged to be necessary.

