

Self Leaded Power Inductors – HCT



This low cost toroidal inductor is designed for high current, low voltage applications, particularly the latest generation of low voltage microprocessors.

The toroid core offers compact size with minimal external magnetic fields.

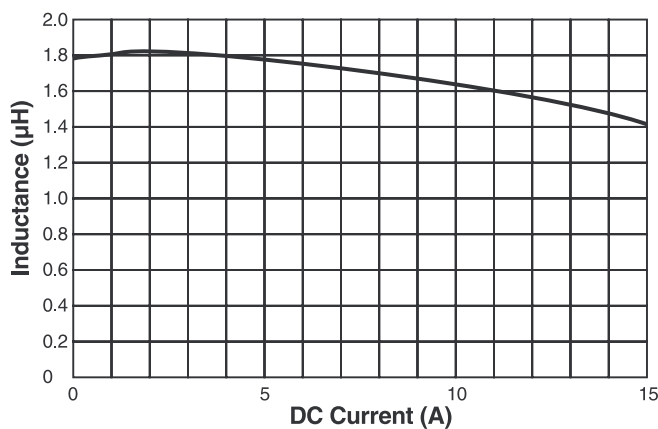
This part can be provided in either vertical or horizontal mounting style. Custom versions can be readily obtained in addition to the standard parts shown

For free evaluation samples, please contact Coilcraft.

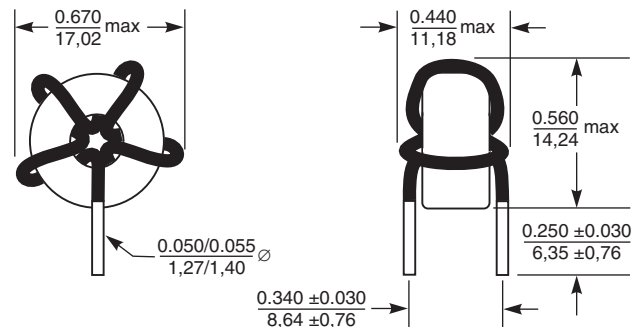
Part number	Mounting style	L at 0A ¹ +20%/–10% (μ H)	L at 15A ¹ min (μ H)	DCR max (Ohms)	I _{rms} ² (A)
HCT-1-152-15L	Vertical	1.875	1.24	0.0021	15
HCT-2-152-15L	Horizontal	1.875	1.24	0.0021	15

1. Inductance tested at 0.1 V_{rms}, 100 kHz.
2. Current that causes a 40°C rise from 25°C ambient.
3. Operating temperature –40°C to +85°C.
4. Specifications at 25°C.

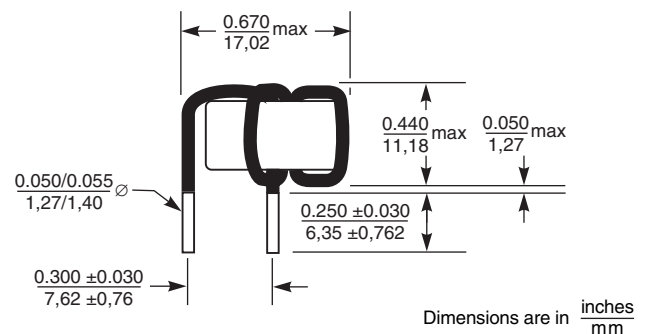
Inductance vs Current



Dimensions - Vertical Style



Dimensions - Horizontal Style



Dimensions are in inches/mm

Weight: 5.95 g
Terminations: Tin-silver over copper



www.coilcraft.com

US +1-847-639-6400 sales@coilcraft.com
UK +44-1236-730595 sales@coilcraft-europe.com
Taiwan +886-2-2264 3646 sales@coilcraft.com.tw
China +86-21-6218 8074 sales@coilcraft.com.cn
Singapore + 65-6484 8412 sales@coilcraft.com.sg

Document 206 Revised 01/31/05

© Coilcraft Inc. 2013

This product may not be used in medical or high risk applications without prior Coilcraft approval. Specification subject to change without notice. Please check web site for latest information.