

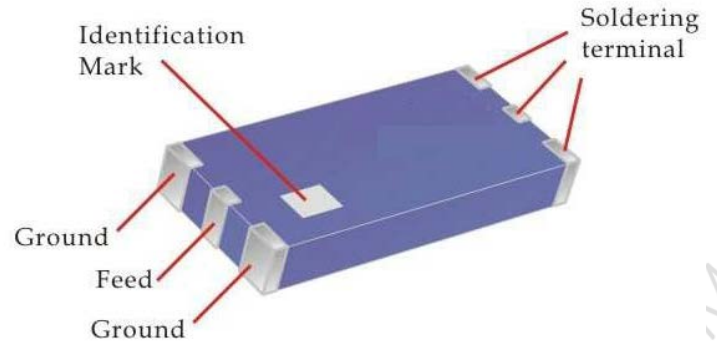
PRODUCT FEATURES

1. Surface mount ceramic antenna with a small size of 7.6 X 3.5 X 1.1 mm.
2. Highly stable under temperature and humidity changes.
3. Superior performance in a compact size, RoHS compliant.

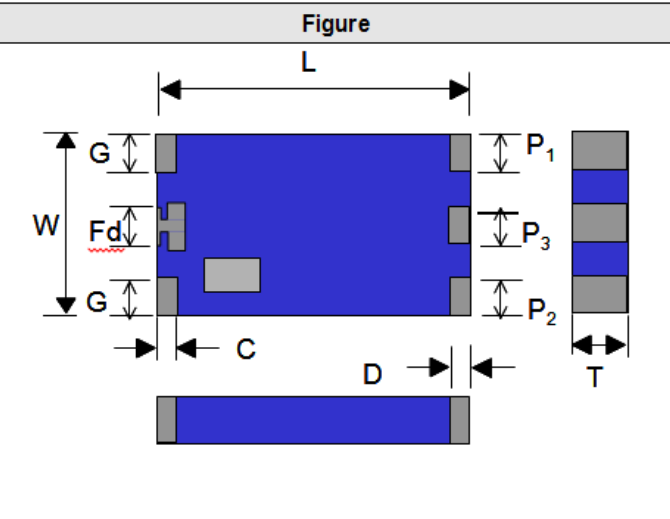
RF CHARACTERISTICS

PN AT2450C3014AT	Specification
Working Frequency Range	2.26-2.64GHz
Gain	2.0 dBi(Typical)
Return Loss	-10 dB min
Polarization	Linear
Radiation Pattern	Omni-directional
Impedance	50Ω
Rated Power	5W max
Operating Temperature	-40°C to +85°C

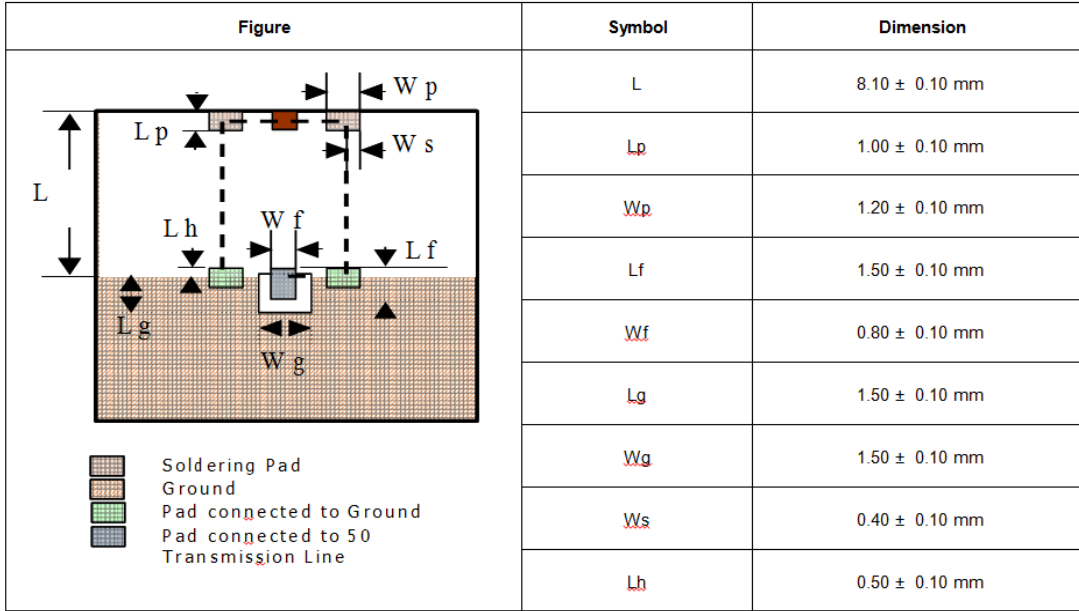
TERMINAL CONFIGURATION



PHYSICAL DIMENSIONS

Figure	Dimension	
	L	7.60 ± 0.30 mm
	W	3.50 ± 0.20 mm
	T	1.10 ± 0.10 mm
	Ed	0.50 ± 0.20 mm
	G	0.80 ± 0.20 mm
	C	0.50 ± 0.20 mm
	D	0.50 ± 0.20 mm
	P ₁	0.80 ± 0.20 mm
	P ₂	0.80 ± 0.20 mm
	P ₃	0.50 ± 0.10 mm

PCB DESIGN/LAYOUT CONSIDERATION



TEST BOARD DESIGN

