

iCON-101CS

1-port CAN to RS-232/422/485 Industrial Converter (-40°C ~ +70°C)



Features

- Software configurable CAN and RS-232/422/485 communication parameters
- Fully compliance with CAN 2.0A and CAN 2.0B
- D-sub DB9 CAN port supports 3KV isolation
- Easily setup to CAN and RS-485 terminator by software configurable
- Powered by 10~30V wide-range DC
- Transmission speed up to 1Mbps for CAN and RS-232
- Clear LED indicators to converter status in progressing
- Provides DIN-rail mounting
- -40°C ~ +70°C wide temperature operating suitable for industrial automation and power automation field applications



Introduction

The CAN (Controller Area Network) is a serial bus system and is usually used in structuring intelligent industrial device networks and building smart automatic control systems. The iCON-101CS is an industrial converter ideally suitable for CAN network using traditional RS-232/422/485 devices. It precisely converts messages between CAN and RS-232/422/485 networks, allowing any PC or devices with RS-232/422/485 interface to communicate with CAN devices easily. This converter supports CAN monitor tool and displays the CAN message received in Decimal or HEX mode. The iCON-101CS shows the time stamp of each receiving message. The GUI management program and programming guide both are ready for use.

Specifications

| CAN Interface | |
|---------------------|---|
| Connector | 9-pin male D-Sub |
| Isolation | 3 KVrms DC-DC converter & photocoupler |
| Receive Buffer | 1000 data frames |
| NVRAM | 64Kbyte for users define |
| Max Data Flow | 10000 fps (CAN bus) |
| Support Protocol | CAN 2.0A/2.0B |
| Terminator Resistor | Software configurable |
| Baud Rate | 5k,10k, 20k, 40k, 50k, 80k, 100k,125k, 200k, 250k, 400k, 500k, 600k, 800k ,1Mbps and user defined |

Serial Interface

| | |
|-----------------|------------------|
| Connector | 9-pin D-Sub |
| Baud Rate | up to 921600bps |
| Data Rate | 8 |
| Stop Rate | 1 |
| Parity | None |
| Receiver Buffer | 1000 data frames |

Power

| | |
|-------------------|---|
| Power Input | Input voltage: 10 to 30VDC (Terminal Block) |
| Power Consumption | 0.9W max. 0.08A @ 10VDC, 0.03A @ 30VDC |

LED

Power/firmware updating, CAN TX/RCV, CAN status for normal and error, UART TX/RCV, terminator status

Mechanical

| | |
|--------------|---|
| Casing | Aluminum case |
| Dimension | 70 mm (W) x 110 mm (D) x 30 mm (H) (2.75" (W) x 4.33" (D) x 1.18" (H)) |
| Weight | 0.25 kg (0.55 lb) |
| Installation | DIN-rail and panel mount |

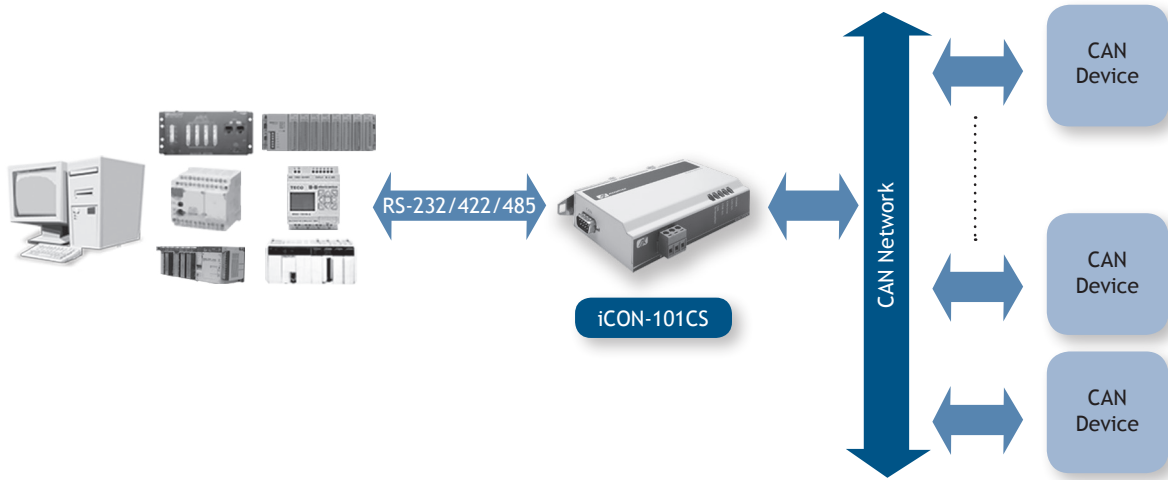
Environment

| | |
|-----------------------|--------------------------------------|
| Operating Temperature | -40° C to +70° C (-40° F to +167° F) |
| Storage Temperature | -40° C to +85° C (-40° F to 185° F) |
| Humidity | 5% ~ 95% (non-condensing) |
| Emission Compliance | CE class A, FCC class A |

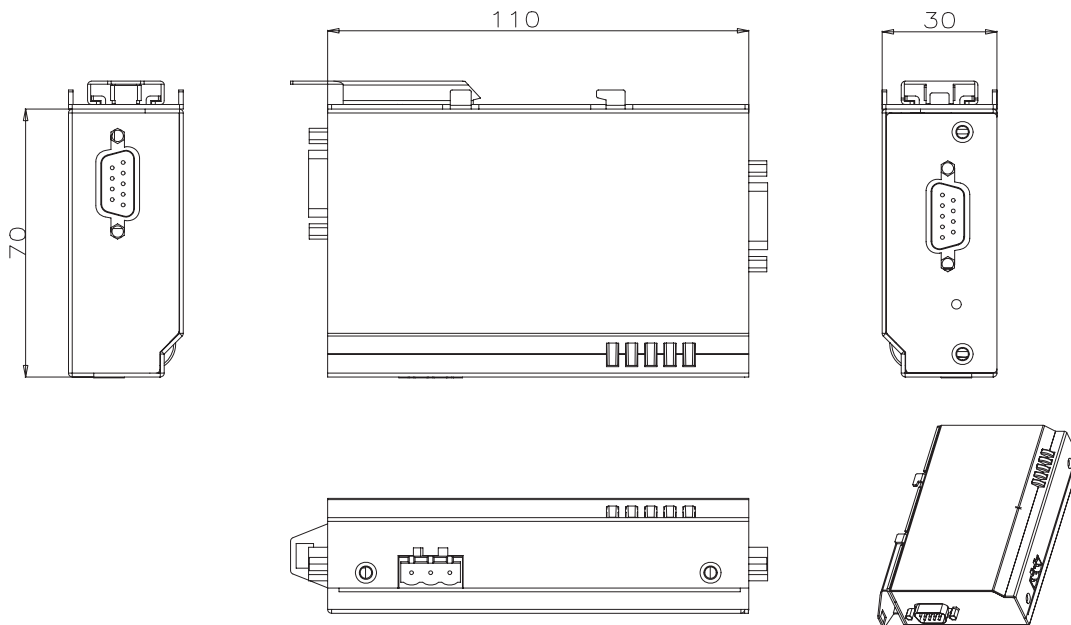
Ordering Information

iCON-101CS

1-port CAN to RS-232/422/485 industrial converter



Dimensions



Overview

Embedded Systems

Embedded Systems for Transportation

Embedded Field Controllers

Industrial Firewall

Digital Signage Solutions

Embedded MicroBoxes

Industrial Barebone Systems

Industrial Chassis

Backplanes

Power Supplies

11

Peripherals & Accessories

