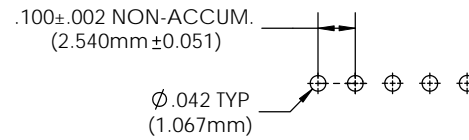
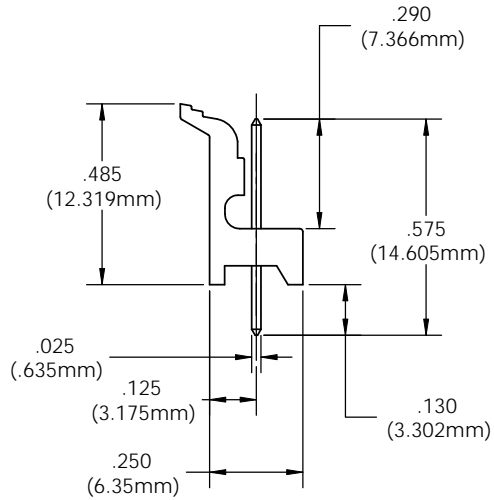
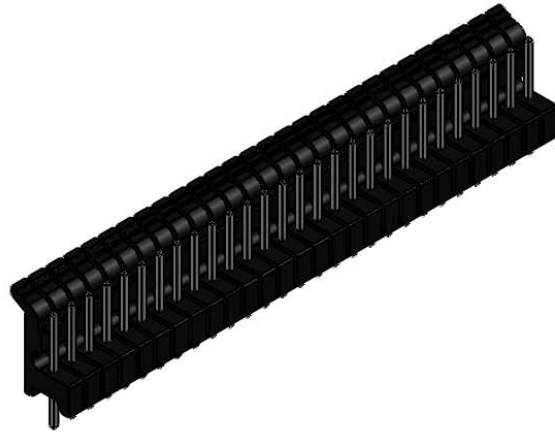


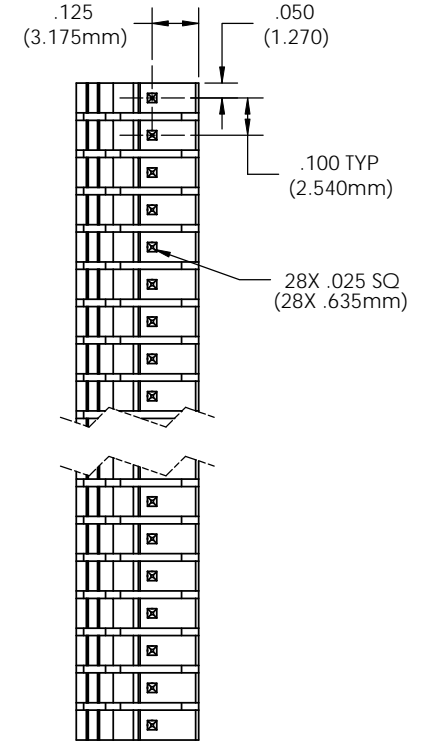
NOTES:

1. MATERIAL: BODY - THERMOPLASTIC (BLACK), UL 94-V2 RATING
PINS - PHOSPHOR BRONZE .025" SQUARE, NICKEL TIN PLATE
2. SPACING: PINS ON .100" CENTERS
3. MATES WITH VCC, 450 30X SERIES OR EQUAL, FEMALE LOCKING HEADER CONNECTOR

REVISIONS				
ECN #	REV	DESCRIPTION	DATE	INITIALS
	001	REVISED PER ECR 111009AZ01	9/13/10	KH

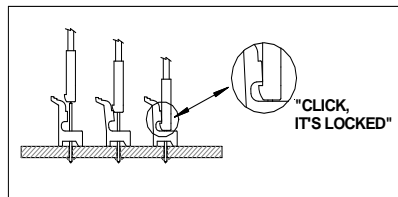


PCB HOLE PATTERN LAYOUT



ORDERING CODE: **CNX VXX NTP**

PIN CONFIGURATION		PLATING	
V =	VERTICAL	NTP	TIN PLATE
XX =	# OF CIRCUITS (02 TO 28)		



<small>UNLESS OTHERWISE SPECIFIED DIMENSIONS ARE IN INCHES</small> TOLERANCES ANGLES DECIMALS 1° X ±.003 XX X ±.010 FINISH XXX ±.005 <small>BREAK ALL CORNERS AND SHARP EDGES (R) (W)</small>	MATERIAL	SEE NOTES		VISUAL COMMUNICATIONS COMPANY, INC. 190 Bosstick Boulevard, Suite 101 San Marcos, CA 92069 USA Phone (760) 560-1300 Fax (760) 560-1301 Email: vccsales@vcclite.com		
	FINISH	SEE NOTES		TITLE: CONXRITE POLARITY FEMALE VERTICAL LOCKING HEADER		
THIRD ANGLE PROJECTION <small>THE INFORMATION CONTAINED IN THIS DRAWING IS THE SOLE PROPERTY OF VISUAL COMMUNICATIONS COMPANY, INC. AND IS LOANED TO YOU AS A SINGLE COPY. IT IS NOT TO BE REPRODUCED OR TRANSMITTED IN ANY FORM OR BY ANY MEANS, ELECTRONIC OR MECHANICAL, INCLUDING PHOTOCOPYING, RECORDING, OR BY ANY INFORMATION STORAGE AND RETRIEVAL SYSTEM.</small>	APPROVAL	DATE	SIZE	DWG. NO.	REV	
	DRAWN	K.Howard	9/13/10	B	CNX VXX NTP	001
	CHECKED	DPZ	9/20/10	SCALE: 3:1	SHEET 1 OF 1	
DO NOT SCALE DRAWING						