



Sav-Con® connector savers

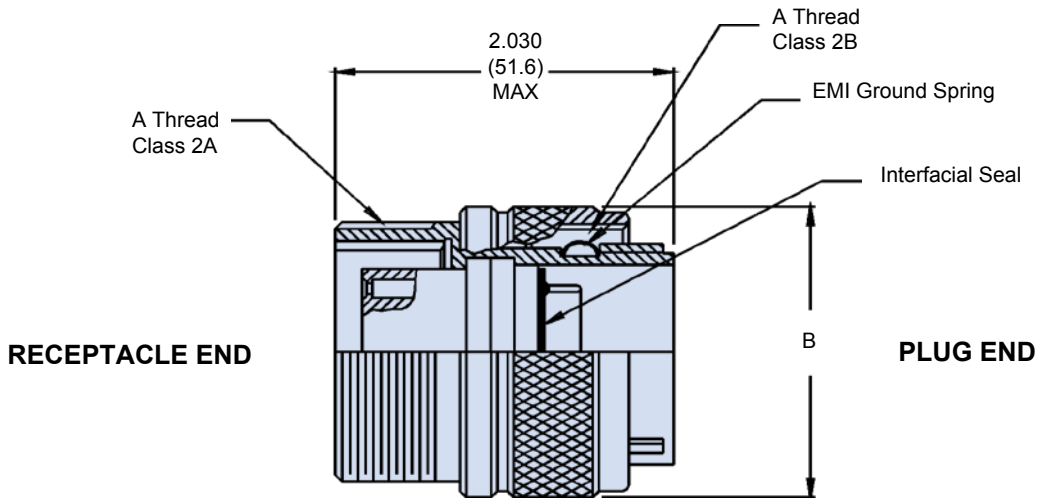
MIL-DTL-28840

941-002 Threaded Coupling



941-002 ENVIRONMENTAL CONNECTOR WITH THREADED COUPLING

How To Order								
Sample Part Number	94	1	-002	NF	-F	1	P	5
Series	94							
Class	1 = Environmental							
Basic Number	002							
Finish	See Table I							
Shell Size	See Table II							
Insert Arrangement	See Table II							
Contact Type	P = Pins, Plug Side S = Sockets, Plug Side							
Alternate Key Position	1, 2, 3, 4, 5, 6, Omit for Normal; See Table III							



Dimensions				
Shell Size/ Insert Arrangement	Shell Size Ref	A Thread Class 2*	B Max	Contact Size 20: Quantity
A	11	.750 – .1P – 0.2L – DS	1.028 (26.1)	7
B	13	.875 – .1P – 0.2L – DS	1.141 (29.0)	12
C	15	1.062 – .1P – 0.2L – DS	1.263 (32.1)	21
D	17	1.125 – .1P – 0.2L – DS	1.387 (35.2)	31
E	19	1.312 – .1P – 0.2L – DS	1.513 (38.4)	42
F	23	1.500 – .1P – 0.2L – DS	1.703 (43.3)	64
G	25	1.625 – .1P – 0.2L – DS	1.825 (46.4)	92
H	29	1.812 – .1P – 0.2L – DS	2.143 (54.4)	121
J	33	2.000 – .1P – 0.2L – DS	2.329 (59.2)	155



Sav-Con® connector savers

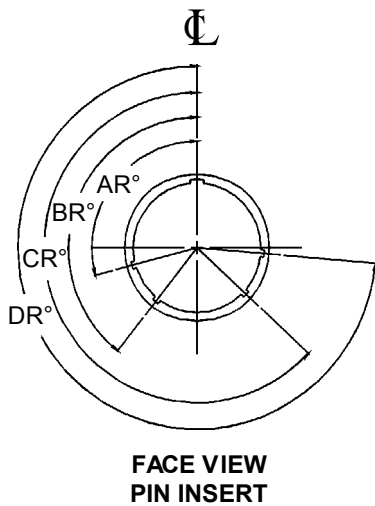
MIL-DTL-28840

Reference Information



Plating Code	Material	Finish
M	Aluminum	Electroless Nickel
B		Cad Plate, Olive Drab
NF		Cadmium Plate Olive Drab over Electroless Nickel
NC		Zinc-Cobalt
ZN		Olive Drab Zinc-Nickel
MT		Ni-PTFE 1000 Hour Grey™ (Nickel Fluorocarbon Polymer)
ZR		Zinc Nickel, Black
ME		Electroless Nickel (RoHS)
ZL	Stainless Steel	Electro-Deposited Nickel

Shell Size Desig.	Shell Size Ref	Insert Arrangement Dash No.	Contact Size 20: Quantity
A	11	A-1	7
B	13	B-1	12
C	15	C-1	21
D	17	D-1	31
E	19	E-1	42
F	23	F-1	64
G	25	G-1	92
H	29	H-1	121
J	33	J-1	155



Shell Size Desig.	Shell Size Ref	Key and Keyway Arr.	AR°	BR°	CR°	DR°
A B	11 13	1	95	141	208	236
		2	113	156	182	292
		3	90	145	195	252
		4	53	156	220	255
		5	119	146	176	298
		6	51	141	184	242
C D	15 17	1	80	142	196	293
		2	135	170	200	310
		3	49	169	200	244
		4	66	140	200	257
		5	62	145	180	280
		6	79	153	197	272
E F G H J	19 23 25 29 33	1	80	142	196	293
		2	135	170	200	310
		3	49	169	200	244
		4	66	140	200	257
		5	62	145	180	280
		6	79	153	197	272

Class	Pi - Circuit (pF)	C - Circuit (pF)
X*	160,000 - 240,000	80,000 - 120,000
Y*	80,000 - 120,000	40,000 - 60,000
Z*	60,000 - 90,000	30,000 - 45,000
A	38,000 - 56,000	19,000 - 28,000
B	32,000 - 45,000	16,000 - 22,500
C	18,000 - 33,000	9,000 - 16,500
D	8,000 - 12,000	4,000 - 6,000
E	3,300 - 5,000	1,650 - 2,500
F	800 - 1,300	400 - 650
G	400 - 600	200 - 300
J	70-120	35-60

* Filter Classes X, Y and Z are 250 VDC.
All others are 500 VDC