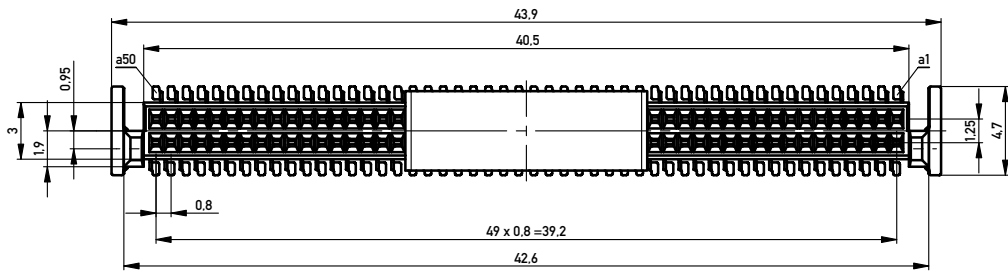
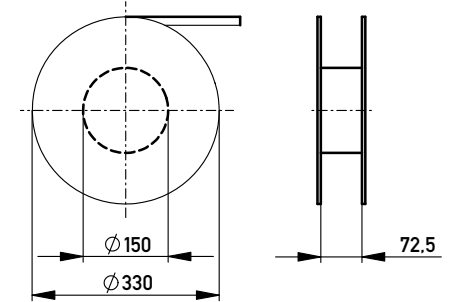
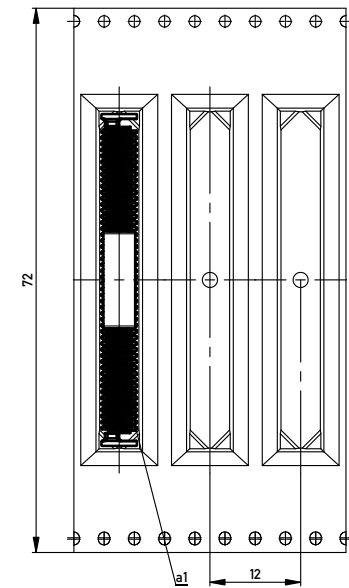


Verpackt in Gurtverpackung - *Tape on Reel Packaging*  
 Verpackungseinheit: 670 Stück - *Packaging unit: 670 pcs*



Abspulrichtung - *Reel off Direction* →



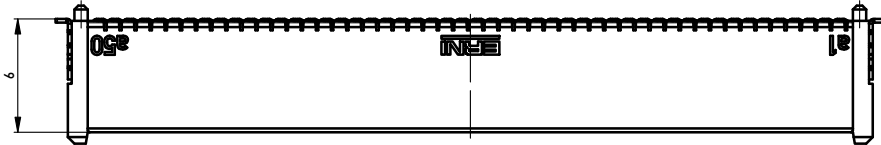
Anforderungsstufe 2  
*Performance Level 2*

Kontaktbereich vergoldet  
*Mating Area gold plating*

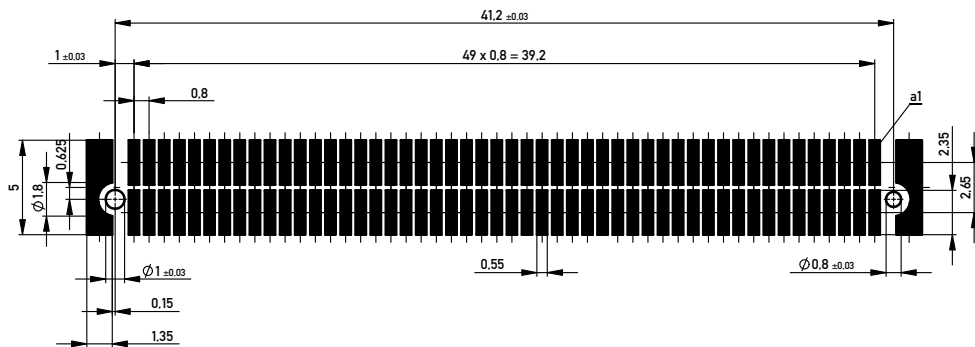
Anschlussbereich verzinkt 4-6 µm  
*Terminal Area 4-6 µm tin plating*

Koplanarität der Anschlüsse ≤ 0,1 mm  
*Coplanarity Area of Termination ≤ 0,1 mm*

ohne Ansaughaube - *without hood*



Leiterplatten-Layout Vorschlag für SMT  
*PCB-Layout Proposal for SMT*



Information:	Tolerances	Scale 5:1	
	All Dimensions in mm		
All rights reserved. Only for Information. To ensure that this is the latest version of this drawing, please contact one of the ERNI companies before using.	Subject to modification without prior notice. Drawing will not be updated.	Designation	
		0.8 DRC-B, F 6mm, 100 polig 0.8 DRC-B, F 6mm, 100 pin	
	www.ERNI.com	294021	I A2
Index	Date	Class	DRCB

Copyright by ERNI GmbH  
 Proprietary notice pursuant to ISO 16093 to be observed