

1-Channel DC Motor Driver for Toy

Features

- 1-Channel H-bridge driver built-in power PMOS and NMOS.
- The driver with forward, reverse, stop and brake function.
- Low stand-by and operating current.
- Low on-resistance. (1Ω)
- Low voltage operation.
- Built-in thermal shutdown function.
- Package SOP-8 & DIP-8
- RoHS Compliant

General Description

The G2010 is a 1-channel H-bridge driver IC for DC motor application. It has the features of low stand-by current, low operating current, large current output and low $R_{DS(ON)}$. Those features make it suitable for toy.

The G2010 is available in 8-pin SOP & DIP package.

Applications

- Toy Motor Driver

Ordering Information

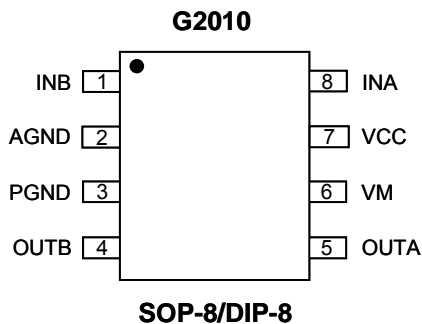
ORDER NUMBER	MARKING	TEMP. RANGE	PACKAGE (Green)
G2010P11U	G2010	-20°C to +85°C	SOP-8
G2010Z31U	G2010	-20°C to +85°C	DIP-8

Note: P1: SOP-8 Z3: DIP-8

1: Bonding Code

U: Tube & Reel

Pin Configuration



Typical Application Circuit

