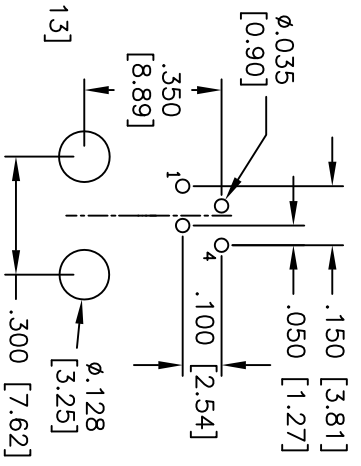
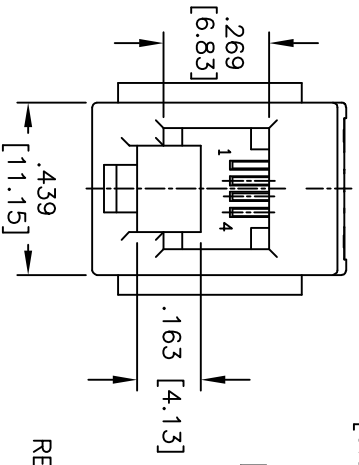
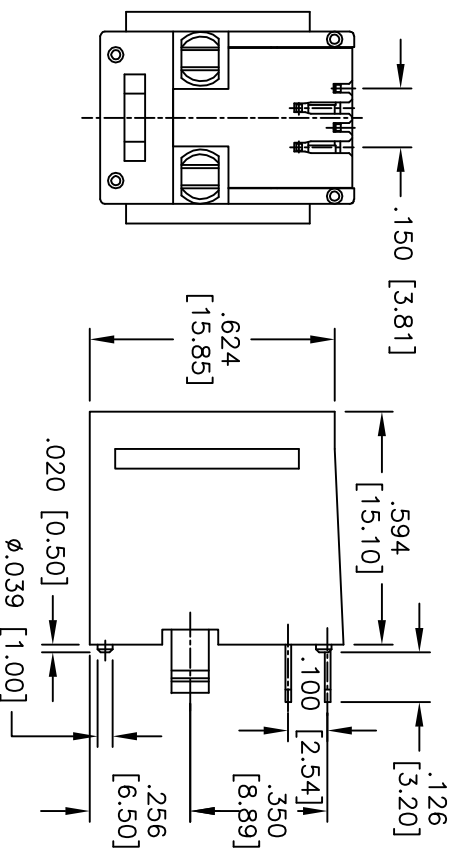
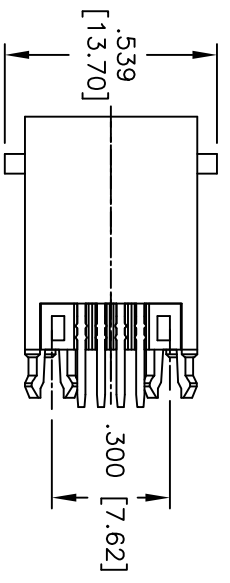


Rev	AWO #	Description	Date	Appr
-		RELEASED	6/21/10	

6 5 4 3 2 1

APPROVED: \_\_\_\_\_

DATE: \_\_\_\_\_ TITLE: \_\_\_\_\_



RECOMMENDED PCB LAYOUT

X	PLATING
0	15 µin Gold
1	30 µin Gold
2	50 µin Gold

**SPECIFICATIONS:**

**Material:**

Insulator: PBT, rated UL 94V-0

Insulator color: Black

Contacts: Phosphor Bronze

Plating: Gold over Nickel underplate on contact area, Tin over Copper underplate on PCB tails

**Electrical:**

Operating voltage: 125 VAC

Current rating: 1.5 Amps

Contact resistance: 45 mohms max

Insulation resistance: 1000 Mohms min @ 500 VDC

Dielectric withstanding voltage: 1000 VAC for 1 minute

**Temperature Rating:**

Operating temperature: -40°C to +85°C

**Environmental:**

Lead free, RoHS compliant.

Recommended soldering temp: 235°C for 5 sec.



**ADAM TECH**

909 Rahway Avenue, Union, NJ 07083  
 Phone: 908-687-5000 Fax: 908-687-5710

TITLE: MODULAR TELEPHONE JACK, 4P4C  
 TOP ENTRY, PCB

UNLESS OTHERWISE SPECIFIED ALL DIMENSIONS ARE INCHES [MM]	
TOLERANCES: EXCEPT AS NOTED	
INCHES	HOLDS
.X ± .10	± .10
.XX ± .020	± .015
.XXX ± .015	± .010
APPROVALS	DATE
DRAWN	DY
CHECKED	
APPROVED	

SIZE	PART NO.	REV.
X	MTJ-443X1-SNP	-
REF: S0003C	SCALE: NTS	SHEET 1 OF 1

6 5 4 3 2 1