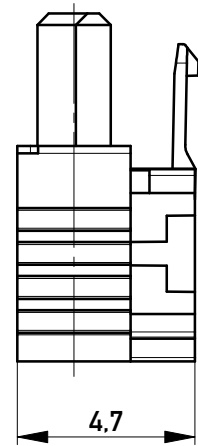
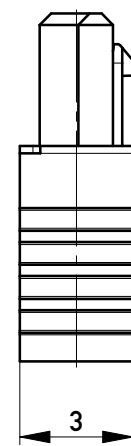


Flachbandkabelführung: rot
wire guide: red

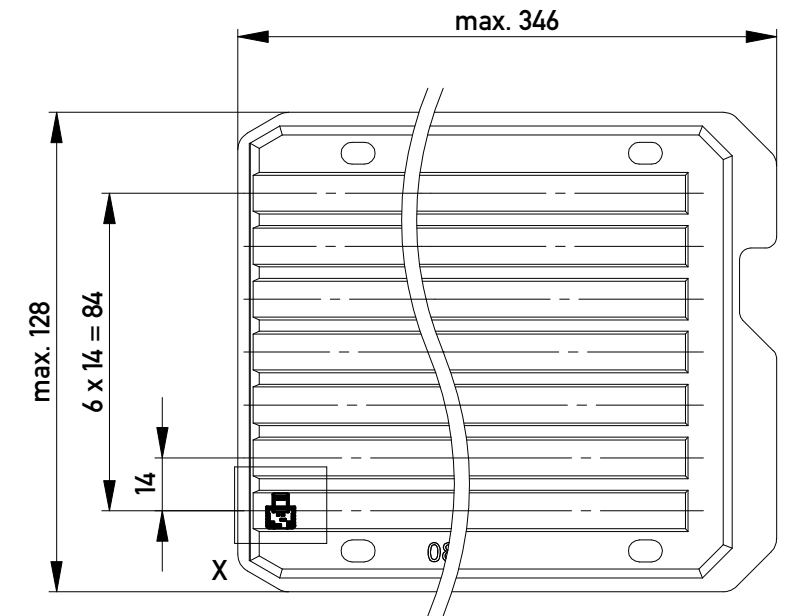


mit aufgesetzter
Drahtführung
(Anlieferungszustand)
with wire guide mounted
(state at time of supply)

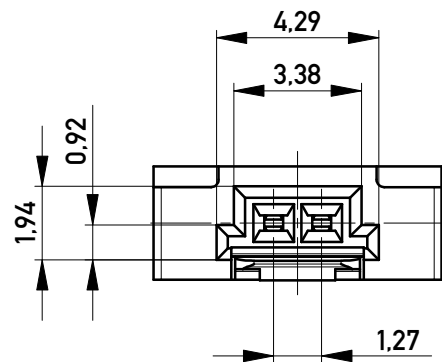
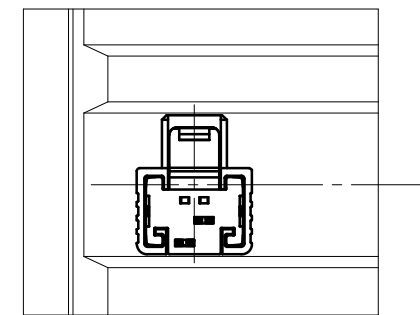


Drahtführung verpresst
(wire guide pressed on)

Verpackt in Tray - tray packaging
Verpackungseinheit 280 Stück - packaging unit 280 pcs



Einzelheit X - detail X
M 2:1



Information:		Tolerances	All Dimensions in mm	Scale	5:1
All rights reserved. Only for Information. To ensure that this is the latest version of this drawing, please contact one of the ERNI companies before using.		Subject to modification without prior notice. Drawing will not be updated.		Designation	
a		04.02.2011		1,27 SRC A SKV, 2-polig 1,27 SRC A IDC, 2-pin	
Index		Date		102400280001	
		www.ERNI.com		K	
		Class		SRCA	
				A3	

Copyright by ERNI GmbH
Proprietary notice pursuant to ISO 16016 to be observed.