

Applications

- Smartphones, Tablets and Handsets
- M2M Modules and Connected Devices
- Datacards

Product Features

- Single device for bands primary WCDMA band combinations: 1/8, 2/5, 1/5, and BC 1/0
- 3GPP Bands and Output Power
 - 1 (1920-1980 MHz) 28.3 dBm
 - 2 (1850-1915 MHz) 28.5 dBm
 - 5 (824-849 MHz) 27.6 dBm
 - 8 (880-915 MHz) 28.5 dBm
- High Efficiency
- 4.0 x 3.0 mm, 16-pin Module

General Description

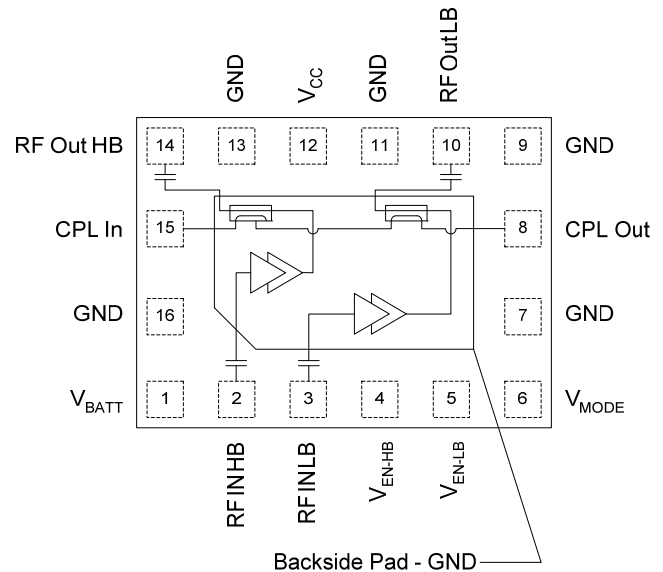
The TQM7M6125 PA Module integrates two high efficiency BiHEMT power amplifiers, two directional couplers and voltage regulation circuitry into a compact 4.0 mm x 3.0 mm package. TriQuint's CuFlip® assembly technology and BiHEMT GaAs process provide a compact, low cost solution optimized for mobile solutions requiring state-of-the-art efficiency and size.

The TQM7M6125 is a dual-broadband power amplifier module covering bands 1, 2, 5 and 8 for use with WCDMA, HSUPA, CDMA, EVDO and LTE modulations. As a result of the combination of high performance, low cost and small size it is well suited for both mobile handset and data card applications.

Key Performance Specifications

Parameter	B1	B2	B5	B8	Units
Gain HPM	28	28	27	27	dB
Output Power	28.3	28.5	27.6	28.5	dBm
PAE	42	43	43	42	%

Functional Block Diagram



Pin Configuration

Pin No.	Label
1	V _{BATT}
2	RF In HB
3	RF In LB
4	V _{EN-HB}
5	V _{EN-LB}
6	V _{MODE}
8	CPL Out
10	RF Out LB
12	V _{CC}
14	RF Out HB
15	CPL In
7, 9, 11, 13, 16	GND
Backside Pad	GND

Ordering Information

Part No.	Description
TQM7M6125	Dual-Broadband Power Amplifier Module
Standard T/R size = 2500 pieces on a 13" reel.	