

# 500V / 600V High Voltage Three-phase Motor Driver ICs SCM1200MF Series

## Data sheet

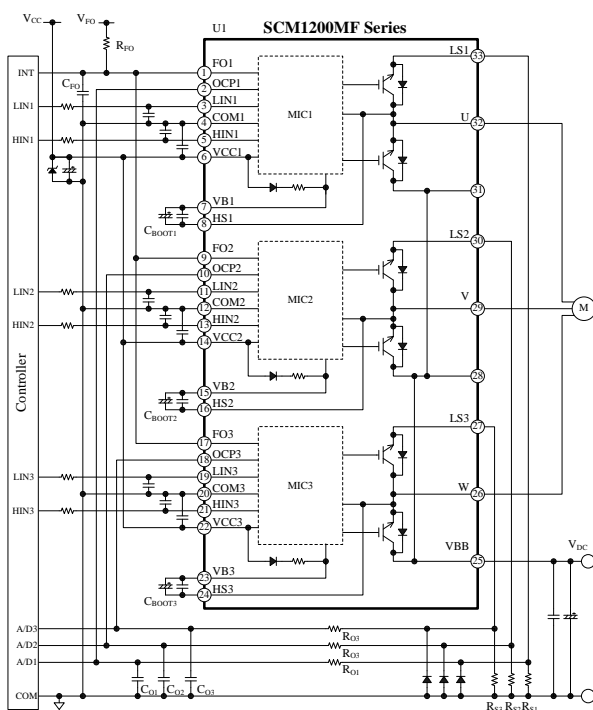
### Description

The SCM1200MF series are high voltage three-phase motor driver ICs in which transistors, pre-driver ICs (MICs), and bootstrap circuits (diodes and resistors) are highly integrated. These products can run on a three-shunt current detection system and optimally control the inverter systems of medium-capacity motors that require universal input standards.

### Features

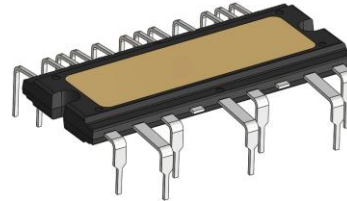
- Each half-bridge circuit consists of a pre-driver IC
- In case of malfunction, all outputs shut down via three FO pins connected together
- Built-in bootstrap diodes with current limiting resistors (22  $\Omega$ )
- CMOS compatible input (3.3 to 5 V)
- Pb free
- Isolation voltage: 2500 V for 1 min, UL recognized component (File No.: E118037)
- Fault signal output at protection activation
- Protections include:
  - Undervoltage Lockout for power supply
    - High-side (UVLO\_VB): Auto-restart
    - Low-side (UVLO\_VCC): Auto-restart
  - Overcurrent Protection (OCP): Auto-restart
  - Simultaneous On-state Prevention: Auto-restart
  - Thermal Shutdown (TSD): Auto-restart

### Typical Application Diagram



### Package

SCM (pin pitch: 1.27 mm, mold dimensions: 47 × 19 × 4.4 mm)



Not to scale

### SCM1200MF Series

- IGBT+FRD (600 V)

I <sub>O</sub> (A)	Feature	Part Number
10 A	Low noise	SCM1261MF*
15 A	Low noise	SCM1242MF
	Low switching dissipation	SCM1263MF*
20 A	Low noise	SCM1243MF
	Low switching dissipation	SCM1265MF*
30 A	Low noise	SCM1245MF
	Low switching dissipation	SCM1256MF
		SCM1246MF

\* Uses a shorter blanking time for OCP activation.

### Applications

For motor drives such as:

- Refrigerator compressor motor
- Air conditioner compressor motor
- Washing machine main motor
- Fan motor
- Pump motor

CONTENTS

Description .....	1
CONTENTS .....	2
1. Absolute Maximum Ratings .....	4
2. Recommended Operating Conditions .....	5
3. Electrical Characteristics .....	6
3.1. Characteristics of Control Parts .....	6
3.2. Bootstrap Diode Characteristics .....	7
3.3. Thermal Resistance Characteristics .....	7
3.4. Transistor Characteristics .....	8
3.4.1. SCM1261MF .....	8
3.4.2. SCM1242MF .....	9
3.4.3. SCM1263MF .....	9
3.4.4. SCM1243MF .....	10
3.4.5. SCM1265MF .....	10
3.4.6. SCM1245MF .....	11
3.4.7. SCM1256MF .....	11
3.4.8. SCM1246MF .....	12
4. Mechanical Characteristics .....	13
5. Insulation Distance .....	13
6. Truth Table .....	14
7. Block Diagram .....	15
8. Pin-out Diagram .....	16
9. Typical Applications .....	17
10. External Dimensions .....	19
10.1. LF2552 .....	19
10.2. LF2557 (Long Lead Type) .....	20
10.3. LF2558 (Wide Lead-Forming Type) .....	21
10.4. Recommended PCB Hole Size .....	22
11. Marking Diagram .....	22
12. Functional Descriptions .....	23
12.1. Turning On and Off the IC .....	23
12.2. Pin Descriptions .....	23
12.2.1. U, V, and W .....	23
12.2.2. VB1, VB2, and VB3 .....	23
12.2.3. HS1, HS2, and HS3 .....	24
12.2.4. VCC1, VCC2, and VCC3 .....	24
12.2.5. COM1, COM2, and COM3 .....	24
12.2.6. HIN1, HIN2, HIN3, LIN1, LIN2, and LIN3 .....	25
12.2.7. VBB .....	25
12.2.8. LS1, LS2, and LS3 .....	26
12.2.9. OCP1, OCP2, and OCP3 .....	26
12.2.10. FO1, FO2, and FO3 .....	26
12.3. Protection Functions .....	27
12.3.1. Fault Signal Output .....	27
12.3.2. Shutdown Signal Input .....	27
12.3.3. Undervoltage Lockout for Power Supply (UVLO) .....	28
12.3.4. Overcurrent Protection (OCP) .....	28
12.3.5. Simultaneous On-state Prevention .....	30
12.3.6. Thermal Shutdown (TSD) .....	30

13. Design Notes	31
13.1. PCB Pattern Layout	31
13.2. Heatsink Mounting Considerations	31
13.3. IC Characteristics Measurement Considerations	31
14. Calculating Power Losses and Estimating Junction Temperatures	32
14.1. IGBT Steady-State Loss, $P_{ON}$	32
14.2. GBT Switching Loss, $P_{SW}$	33
14.3. Estimating Junction Temperature of IGBT	33
15. Typical Characteristics	34
15.1. Transient Thermal Resistance Curves	34
15.1.1. SCM1261MF	34
15.1.2. SCM1242MF, SCM1263MF, SCM1243MF	34
15.1.3. SCM1265MF, SCM1245MF	35
15.1.4. SCM1246MF, SCM1256MF	35
15.2. Performance Curves of Control Parts	36
15.3. Performance Curves of Output Parts	41
15.3.1. Output Transistor Performance Curves	41
15.3.2. Switching Loss	43
15.4. Allowable Effective Current Curves	51
15.4.1. SCM1261MF	51
15.4.2. SCM1242MF, SCM1263MF, SCM1243MF	52
15.4.3. SCM1265MF, SCM1245MF	53
15.4.4. SCM1256MF, SCM1246MF	54
15.5. Short Circuit SOA (Safe Operating Area)	55
15.5.1. SCM1261MF	55
15.5.2. SCM1242MF, SCM1263MF, SCM1243MF	55
15.5.3. SCM1265MF, SCM1245MF	56
15.5.4. SCM1256MF, SCM1246MF	56
16. Pattern Layout Example	57
17. Typical Motor Driver Application	59
IMPORTANT NOTES	60

## SCM1200MF Series

### 1. Absolute Maximum Ratings

- Current polarities are defined as follows: a current flow going into the IC (sinking) is positive current (+); and a current flow coming out of the IC (sourcing) is negative current (-).
- Unless specifically noted,  $T_A = 25^\circ\text{C}$ .

Characteristics	Symbol	Conditions	Rating	Unit	Remarks
Main Supply Voltage (DC)	$V_{DC}$	VBB – LS1 VBB – LS2 VBB – LS3	450	V	
Main Supply Voltage (Surge)	$V_{DC(SURGE)}$	VBB – LS1 VBB – LS2 VBB – LS3	500	V	
IGBT Breakdown Voltage	$V_{CES}$	$V_{CC} = 15\text{ V}$ , $I_C = 1\text{ mA}$ , $V_{IN} = 0\text{ V}$	600	V	
Logic Supply Voltage	$V_{CC}$	VCC1– COM1 VCC2– COM2 VCC3– COM3	20	V	
	$V_{BS}$	VB1 – HS1(U) VB2– HS2(V) VB3 – HS3(W)	20		
Output Current (DC) <sup>(1)</sup>	$I_O$	$T_C = 25^\circ\text{C}$	10	A	SCM1261MF
			15		SCM1242MF/63MF/43MF
			20		SCM1265MF/45MF
			30		SCM1256MF/46MF
Output Current (Pulse)	$I_{OP}$	$T_C = 25^\circ\text{C}$ , $P_W \leq 1\text{ ms}$	20	A	SCM1261MF
			30		SCM1242MF/63MF/ 43MF/65MF/45MF
			45		SCM1256MF/46MF
Input Voltage	$V_{IN}$	HIN1, LIN1– COM1 HIN2, LIN2– COM2 HIN3, LIN3– COM3	-0.5 to 7	V	
FO Pin Voltage	$V_{FO}$	FO1– COM1 FO2– COM2 FO3– COM3	-0.5 to 7	V	
OCP Pin Voltage	$V_{OCP}$	OCP1– COM1 OCP2– COM2 OCP3– COM3	-10 to 5	V	
Operating Case Temperature <sup>(2)</sup>	$T_{C(OP)}$		-30 to 125	$^\circ\text{C}$	
Junction Temperature <sup>(3)</sup>	$T_j$		150	$^\circ\text{C}$	
Storage Temperature	$T_{stg}$		-40 to 150	$^\circ\text{C}$	
Isolation Voltage <sup>(4)</sup>	$V_{ISO(RMS)}$	Between surface of heatsink side and each pin; AC, 60 Hz, 1 min	2500	V	

<sup>(1)</sup> Should be derated depending on an actual case temperature. See Section 15.4.

<sup>(2)</sup> Refers to a case temperature measured during IC operation.

<sup>(3)</sup> Refers to the junction temperature of each chip including its built-in controller ICs (MICs), transistors, and freewheeling diodes.

<sup>(4)</sup> Refers to voltage conditions to be applied between the case and all pins. All pins have to be shorted.

## SCM1200MF Series

### 2. Recommended Operating Conditions

Characteristics	Symbol	Conditions	Min.	Typ.	Max.	Unit	Remarks
Main Supply Voltage	$V_{DC}$	COM1 = COM2 = COM3 VBB - COM	—	300	400	V	
Logic Supply Voltage	$V_{CC}$	VCC1 - COM1 VCC2 - COM2 VCC3 - COM3	13.5	—	16.5	V	
	$V_{BS}$	VB1 - HS1(U) VB2 - HS2(V) VB3 - HS3(W)	13.5	—	16.5	V	
Input Voltage (HIN, LIN, FO)	$V_{IN}$		0	—	5.5	V	
Minimum Input Pulse Width	$t_{IN(MIN)ON}$		0.5	—	—	$\mu s$	
	$t_{IN(MIN)OFF}$		0.5	—	—	$\mu s$	
Dead Time of Input Signal	$t_{DEAD}$		1.0	—	—	$\mu s$	SCM1243MF/ 45MF/46MF
			1.5	—	—		SCM1242MF/ 56MF/61MF/65MF
FO Pin Pull-up Resistor	$R_{FO}$		1	—	22	k $\Omega$	
FO Pin Pull-up Voltage	$V_{FO}$		3.0	—	5.5	V	
FO Pin Capacitor for Noise Reduction	$C_{FO}$		0.001	—	0.01	$\mu F$	
Bootstrap Capacitor	$C_{BOOT}$		10	—	220	$\mu F$	
Shunt Resistor	$R_S$	$I_p \leq 45$ A	12	—	—	m $\Omega$	SCM1256MF/46MF
		$I_p \leq 30$ A	18	—	—		SCM1242MF/43MF/ 63MF/65MF/45MF
		$I_p \leq 20$ A	27	—	—		SCM1261MF
RC Filter Resistor	$R_O$		—	—	100	$\Omega$	
RC Filter Capacitor	$C_O$		1000	—	2200	pF	SCM124xMF SCM125xMF
			1000	—	10000		SCM126xMF
PWM Carrier Frequency	$f_c$		—	—	20	kHz	
Case Temperature in Operation	$T_{C(OP)}$		—	—	100	$^{\circ}C$	

## SCM1200MF Series

### 3. Electrical Characteristics

- Current polarities are defined as follows: a current flow going into the IC (sinking) is positive current (+); and a current flow coming out of the IC (sourcing) is negative current (-).
- Unless specifically noted,  $T_A = 25^\circ\text{C}$ ,  $V_{CC} = 15\text{ V}$ .

#### 3.1. Characteristics of Control Parts

Characteristics	Symbol	Conditions	Min.	Typ.	Max.	Unit	Remarks
<b>Power Supply Operation</b>							
Logic Operation Start Voltage	$V_{CC(ON)}$	VCC1- COM1 VCC2- COM2 VCC3- COM3	10.5	11.5	12.5	V	
	$V_{BS(ON)}$	VB1 - HS1(U) VB2- HS2(V) VB3 - HS3(W)	10.5	11.5	12.5	V	
Logic Operation Stop Voltage	$V_{CC(OFF)}$	VCC1- COM1 VCC2- COM2 VCC3- COM3	10.0	11.0	12.0	V	
	$V_{BS(OFF)}$	VB1 - HS1(U) VB2- HS2(V) VB3 - HS3(W)	10.0	11.0	12.0	V	
Logic Supply Current	$I_{CC}$	VCC1 = VCC2 = VCC3, COM1 = COM2 = COM3 VCC pin current in 3 phases operating	—	3	—	mA	
	$I_{BS}$	VB - HS = 15 V, HIN = 5 V, VB pin current in single phase operation	—	140	—	$\mu\text{A}$	
<b>Input Signal</b>							
High Level Input Signal Threshold Voltage (HIN, LIN, FO)	$V_{IH}$		1.5	2.0	2.5	V	
Low Level Input Signal Threshold Voltage (HIN, LIN, FO)	$V_{IL}$		1.0	1.5	2.0	V	
Input Current at High Level (HIN, LIN)	$I_{IH}$	$V_{IN} = 5\text{ V}$	—	230	500	$\mu\text{A}$	
Input Current at Low Level (HIN, LIN)	$I_{IL}$	$V_{IN} = 0\text{ V}$	—	—	2	$\mu\text{A}$	
<b>Fault Signal Output</b>							
FO Pin Voltage in Fault Signal Output	$V_{FOL}$	$V_{FO} = 5\text{ V}$ , $R_{FO} = 10\text{ k}\Omega$	—	—	0.5	V	
FO Pin Voltage in Normal Operation	$V_{FOH}$	$V_{FO} = 5\text{ V}$ , $R_{FO} = 10\text{ k}\Omega$	4.8	—	—	V	
<b>Protection</b>							
Overcurrent Protection Threshold Voltage	$V_{TRIP}$		0.46	0.50	0.54	V	
Overcurrent Protection Hold Time	$t_P$		20	26	—	$\mu\text{s}$	
Overcurrent Protection Blanking Time	$t_{BK}$	$V_{TRIP} = 1\text{ V}$	—	1.65	—	$\mu\text{s}$	SCM124xMF SCM125xMF
			—	0.54	—		SCM126xMF
Thermal Shutdown Operating Temperature*	$T_{DH}$		135	150	—	$^\circ\text{C}$	
Thermal Shutdown Releasing Temperature*	$T_{DL}$		105	120	—	$^\circ\text{C}$	

\* Refers to the junction temperature of the built-in controller ICs (MICs).

3.2. Bootstrap Diode Characteristics

Characteristics	Symbol	Conditions	Min.	Typ.	Max.	Unit	Remarks
Bootstrap Diode Leakage Current	$I_{LBD}$	$V_R = 600\text{ V}$	–	–	10	$\mu\text{A}$	
Bootstrap Diode Forward Voltage	$V_{FB}$	$I_{FB} = 0.15\text{ A}$	–	1.1	1.3	V	
Bootstrap Diode Series Resistor	$R_{BOOT}$		17.6	22.0	26.4	$\Omega$	

3.3. Thermal Resistance Characteristics

Characteristics	Symbol	Conditions	Min.	Typ.	Max.	Unit	Remarks
Junction-to-Case Thermal Resistance <sup>(1)</sup>	$R_{(j-c)Q}$ <sup>(2)</sup>	1 element operation (IGBT)	–	–	3.7	$^{\circ}\text{C/W}$	SCM1261MF
			–	–	3		SCM12/42MF /63MF/43MF/65MF /45MF/56MF/46MF
	$R_{(j-c)F}$ <sup>(3)</sup>	1 element operation (Freewheeling diode)	–	–	4.5	$^{\circ}\text{C/W}$	SCM1261MF
			–	–	4		SCM12/42MF /63MF/43MF/65MF /45MF/56MF/46MF

- <sup>(1)</sup> Refers to a case temperature at the measurement point described in Figure 3-1, below.
- <sup>(2)</sup> Refers to steady-state thermal resistance between the junction of the built-in transistors and the case. For transient thermal characteristics, see Section 15.1.
- <sup>(3)</sup> Refers to steady-state thermal resistance between the junction of the built-in freewheeling diodes and the case.

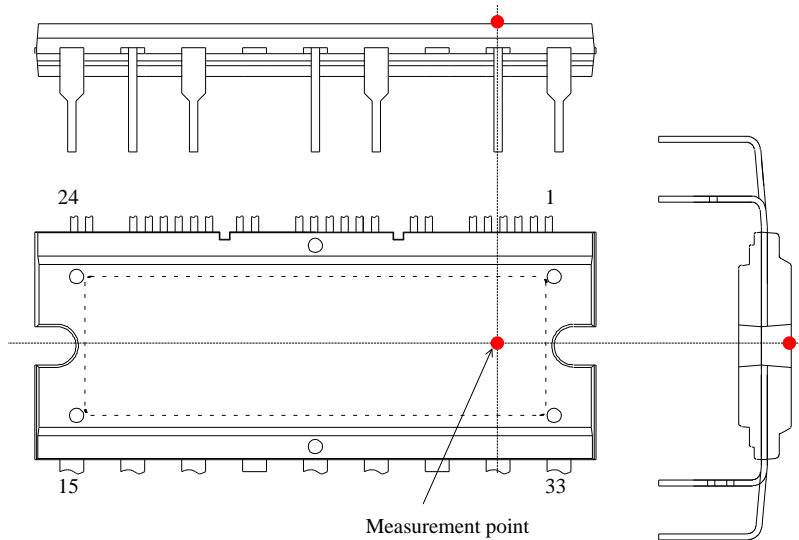


Figure 3-1. Case temperature measurement point

3.4. Transistor Characteristics

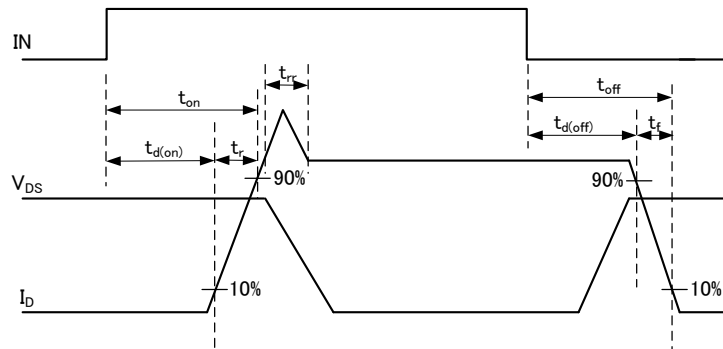


Figure 3-2. Switching time definition

3.4.1. SCM1261MF

Characteristics	Symbol	Conditions	Min.	Typ.	Max.	Unit
Collector-to-Emitter Leakage Current	$I_{CES}$	$V_{CE} = 600\text{ V}, V_{IN} = 0\text{ V}$	—	—	1	mA
Collector-to-Emitter Saturation Voltage	$V_{CE(SAT)}$	$I_C = 10\text{ A}, V_{IN} = 5\text{ V}$	—	1.7	2.2	V
Emitter-to-Collector Diode Forward Voltage	$V_F$	$I_F = 10\text{ A}, V_{IN} = 0\text{ V}$	—	1.7	2.2	V
<b>High-side Switching</b>						
Emitter-to-Collector Diode Reverse Recovery Time	$t_{rr}$	$V_{DC} = 300\text{ V}, I_C = 10\text{ A},$ inductive load, $V_{IN} = 0 \rightarrow 5\text{ V}$ or $5 \rightarrow 0\text{ V},$ $T_j = 25^\circ\text{C}$	—	85	—	ns
Turn-On Delay Time	$t_{d(on)}$		—	700	—	ns
Rise Time	$t_r$		—	100	—	ns
Turn-Off Delay Time	$t_{d(off)}$		—	1070	—	ns
Fall Time	$t_f$		—	90	—	ns
<b>Low-side Switching</b>						
Emitter-to-Collector Diode Reverse Recovery Time	$t_{rr}$	$V_{DC} = 300\text{ V}, I_C = 10\text{ A},$ inductive load, $V_{IN} = 0 \rightarrow 5\text{ V}$ or $5 \rightarrow 0\text{ V},$ $T_j = 25^\circ\text{C}$	—	105	—	ns
Turn-On Delay Time	$t_{d(on)}$		—	710	—	ns
Rise Time	$t_r$		—	120	—	ns
Turn-Off Delay Time	$t_{d(off)}$		—	1010	—	ns
Fall Time	$t_f$		—	95	—	ns



## SCM1200MF Series

### 3.4.2. SCM1242MF

Characteristics	Symbol	Conditions	Min.	Typ.	Max.	Unit
Collector-to-Emitter Leakage Current	$I_{CES}$	$V_{CE} = 600 \text{ V}, V_{IN} = 0 \text{ V}$	—	—	1	mA
Collector-to-Emitter Saturation Voltage	$V_{CE(SAT)}$	$I_C = 15 \text{ A}, V_{IN} = 5 \text{ V}$	—	1.7	2.2	V
Emitter-to-Collector Diode Forward Voltage	$V_F$	$I_F = 15 \text{ A}, V_{IN} = 0 \text{ V}$	—	1.75	2.2	V
<b>High-side Switching</b>						
Emitter-to-Collector Diode Reverse Recovery Time	$t_{rr}$	$V_{DC} = 300 \text{ V}, I_C = 15 \text{ A},$ inductive load, $V_{IN} = 0 \rightarrow 5 \text{ V}$ or $5 \rightarrow 0 \text{ V},$ $T_j = 25^\circ\text{C}$	—	80	—	ns
Turn-On Delay Time	$t_{d(on)}$		—	700	—	ns
Rise Time	$t_r$		—	100	—	ns
Turn-Off Delay Time	$t_{d(off)}$		—	1300	—	ns
Fall Time	$t_f$		—	90	—	ns
<b>Low-side Switching</b>						
Emitter-to-Collector Diode Reverse Recovery Time	$t_{rr}$	$V_{DC} = 300 \text{ V}, I_C = 15 \text{ A},$ inductive load, $V_{IN} = 0 \rightarrow 5 \text{ V}$ or $5 \rightarrow 0 \text{ V},$ $T_j = 25^\circ\text{C}$	—	90	—	ns
Turn-On Delay Time	$t_{d(on)}$		—	700	—	ns
Rise Time	$t_r$		—	130	—	ns
Turn-Off Delay Time	$t_{d(off)}$		—	1230	—	ns
Fall Time	$t_f$		—	90	—	ns

### 3.4.3. SCM1263MF

Characteristics	Symbol	Conditions	Min.	Typ.	Max.	Unit
Collector-to-Emitter Leakage Current	$I_{CES}$	$V_{CE} = 600 \text{ V}, V_{IN} = 0 \text{ V}$	—	—	1	mA
Collector-to-Emitter Saturation Voltage	$V_{CE(SAT)}$	$I_C = 15 \text{ A}, V_{IN} = 5 \text{ V}$	—	1.7	2.2	V
Emitter-to-Collector Diode Forward Voltage	$V_F$	$I_F = 15 \text{ A}, V_{IN} = 0 \text{ V}$	—	1.75	2.2	V
<b>High-side Switching</b>						
Emitter-to-Collector Diode Reverse Recovery Time	$t_{rr}$	$V_{DC} = 300 \text{ V}, I_C = 15 \text{ A},$ inductive load, $V_{IN} = 0 \rightarrow 5 \text{ V}$ or $5 \rightarrow 0 \text{ V},$ $T_j = 25^\circ\text{C}$	—	80	—	ns
Turn-On Delay Time	$t_{d(on)}$		—	700	—	ns
Rise Time	$t_r$		—	100	—	ns
Turn-Off Delay Time	$t_{d(off)}$		—	1300	—	ns
Fall Time	$t_f$		—	90	—	ns
<b>Low-side Switching</b>						
Emitter-to-Collector Diode Reverse Recovery Time	$t_{rr}$	$V_{DC} = 300 \text{ V}, I_C = 15 \text{ A},$ inductive load, $V_{IN} = 0 \rightarrow 5 \text{ V}$ or $5 \rightarrow 0 \text{ V},$ $T_j = 25^\circ\text{C}$	—	90	—	ns
Turn-On Delay Time	$t_{d(on)}$		—	700	—	ns
Rise Time	$t_r$		—	130	—	ns
Turn-Off Delay Time	$t_{d(off)}$		—	1230	—	ns
Fall Time	$t_f$		—	90	—	ns

## SCM1200MF Series

### 3.4.4. SCM1243MF

Characteristics	Symbol	Conditions	Min.	Typ.	Max.	Unit
Collector-to-Emitter Leakage Current	$I_{CES}$	$V_{CE} = 600 \text{ V}, V_{IN} = 0 \text{ V}$	—	—	1	mA
Collector-to-Emitter Saturation Voltage	$V_{CE(SAT)}$	$I_C = 15 \text{ A}, V_{IN} = 5 \text{ V}$	—	1.7	2.2	V
Emitter-to-Collector Diode Forward Voltage	$V_F$	$I_F = 15 \text{ A}, V_{IN} = 0 \text{ V}$	—	1.75	2.2	V
<b>High-side Switching</b>						
Emitter-to-Collector Diode Reverse Recovery Time	$t_{rr}$	$V_{DC} = 300 \text{ V}, I_C = 15 \text{ A},$ inductive load, $V_{IN} = 0 \rightarrow 5 \text{ V}$ or $5 \rightarrow 0 \text{ V},$ $T_j = 25^\circ\text{C}$	—	70	—	ns
Turn-On Delay Time	$t_{d(on)}$		—	600	—	ns
Rise Time	$t_r$		—	70	—	ns
Turn-Off Delay Time	$t_{d(off)}$		—	620	—	ns
Fall Time	$t_f$		—	60	—	ns
<b>Low-side Switching</b>						
Emitter-to-Collector Diode Reverse Recovery Time	$t_{rr}$	$V_{DC} = 300 \text{ V}, I_C = 15 \text{ A},$ inductive load, $V_{IN} = 0 \rightarrow 5 \text{ V}$ or $5 \rightarrow 0 \text{ V},$ $T_j = 25^\circ\text{C}$	—	80	—	ns
Turn-On Delay Time	$t_{d(on)}$		—	600	—	ns
Rise Time	$t_r$		—	100	—	ns
Turn-Off Delay Time	$t_{d(off)}$		—	600	—	ns
Fall Time	$t_f$		—	70	—	ns

### 3.4.5. SCM1265MF

Characteristics	Symbol	Conditions	Min.	Typ.	Max.	Unit
Collector-to-Emitter Leakage Current	$I_{CES}$	$V_{CE} = 600 \text{ V}, V_{IN} = 0 \text{ V}$	—	—	1	mA
Collector-to-Emitter Saturation Voltage	$V_{CE(SAT)}$	$I_C = 20 \text{ A}, V_{IN} = 5 \text{ V}$	—	1.7	2.2	V
Emitter-to-Collector Diode Forward Voltage	$V_F$	$I_F = 20 \text{ A}, V_{IN} = 0 \text{ V}$	—	1.9	2.4	V
<b>High-side Switching</b>						
Emitter-to-Collector Diode Reverse Recovery Time	$t_{rr}$	$V_{DC} = 300 \text{ V}, I_C = 20 \text{ A},$ inductive load, $V_{IN} = 0 \rightarrow 5 \text{ V}$ or $5 \rightarrow 0 \text{ V},$ $T_j = 25^\circ\text{C}$	—	80	—	ns
Turn-On Delay Time	$t_{d(on)}$		—	780	—	ns
Rise Time	$t_r$		—	120	—	ns
Turn-Off Delay Time	$t_{d(off)}$		—	1150	—	ns
Fall Time	$t_f$		—	90	—	ns
<b>Low-side Switching</b>						
Emitter-to-Collector Diode Reverse Recovery Time	$t_{rr}$	$V_{DC} = 300 \text{ V}, I_C = 20 \text{ A},$ inductive load, $V_{IN} = 0 \rightarrow 5 \text{ V}$ or $5 \rightarrow 0 \text{ V},$ $T_j = 25^\circ\text{C}$	—	85	—	ns
Turn-On Delay Time	$t_{d(on)}$		—	810	—	ns
Rise Time	$t_r$		—	170	—	ns
Turn-Off Delay Time	$t_{d(off)}$		—	1100	—	ns
Fall Time	$t_f$		—	90	—	ns

## SCM1200MF Series

### 3.4.6. SCM1245MF

Characteristics	Symbol	Conditions	Min.	Typ.	Max.	Unit
Collector-to-Emitter Leakage Current	$I_{CES}$	$V_{CE} = 600 \text{ V}, V_{IN} = 0 \text{ V}$	—	—	1	mA
Collector-to-Emitter Saturation Voltage	$V_{CE(SAT)}$	$I_C = 20 \text{ A}, V_{IN} = 5 \text{ V}$	—	1.7	2.2	V
Emitter-to-Collector Diode Forward Voltage	$V_F$	$I_F = 20 \text{ A}, V_{IN} = 0 \text{ V}$	—	1.9	2.4	V
<b>High-side Switching</b>						
Emitter-to-Collector Diode Reverse Recovery Time	$t_{rr}$	$V_{DC} = 300 \text{ V}, I_C = 20 \text{ A},$ inductive load, $V_{IN} = 0 \rightarrow 5 \text{ V}$ or $5 \rightarrow 0 \text{ V},$ $T_j = 25^\circ\text{C}$	—	75	—	ns
Turn-On Delay Time	$t_{d(on)}$		—	695	—	ns
Rise Time	$t_r$		—	95	—	ns
Turn-Off Delay Time	$t_{d(off)}$		—	675	—	ns
Fall Time	$t_f$		—	55	—	ns
<b>Low-side Switching</b>						
Emitter-to-Collector Diode Reverse Recovery Time	$t_{rr}$	$V_{DC} = 300 \text{ V}, I_C = 20 \text{ A},$ inductive load, $V_{IN} = 0 \rightarrow 5 \text{ V}$ or $5 \rightarrow 0 \text{ V},$ $T_j = 25^\circ\text{C}$	—	115	—	ns
Turn-On Delay Time	$t_{d(on)}$		—	715	—	ns
Rise Time	$t_r$		—	135	—	ns
Turn-Off Delay Time	$t_{d(off)}$		—	670	—	ns
Fall Time	$t_f$		—	50	—	ns

### 3.4.7. SCM1256MF

Characteristics	Symbol	Conditions	Min.	Typ.	Max.	Unit
Collector-to-Emitter Leakage Current	$I_{CES}$	$V_{CE} = 600 \text{ V}, V_{IN} = 0 \text{ V}$	—	—	1	mA
Collector-to-Emitter Saturation Voltage	$V_{CE(SAT)}$	$I_C = 30 \text{ A}, V_{IN} = 5 \text{ V}$	—	1.7	2.2	V
Emitter-to-Collector Diode Forward Voltage	$V_F$	$I_F = 30 \text{ A}, V_{IN} = 0 \text{ V}$	—	1.9	2.4	V
<b>High-side Switching</b>						
Emitter-to-Collector Diode Reverse Recovery Time	$t_{rr}$	$V_{DC} = 300 \text{ V}, I_C = 30 \text{ A},$ inductive load, $V_{IN} = 0 \rightarrow 5 \text{ V}$ or $5 \rightarrow 0 \text{ V},$ $T_j = 25^\circ\text{C}$	—	70	—	ns
Turn-On Delay Time	$t_{d(on)}$		—	760	—	ns
Rise Time	$t_r$		—	130	—	ns
Turn-Off Delay Time	$t_{d(off)}$		—	1260	—	ns
Fall Time	$t_f$		—	90	—	ns
<b>Low-side Switching</b>						
Emitter-to-Collector Diode Reverse Recovery Time	$t_{rr}$	$V_{DC} = 300 \text{ V}, I_C = 30 \text{ A},$ inductive load, $V_{IN} = 0 \rightarrow 5 \text{ V}$ or $5 \rightarrow 0 \text{ V},$ $T_j = 25^\circ\text{C}$	—	80	—	ns
Turn-On Delay Time	$t_{d(on)}$		—	770	—	ns
Rise Time	$t_r$		—	160	—	ns
Turn-Off Delay Time	$t_{d(off)}$		—	1200	—	ns
Fall Time	$t_f$		—	90	—	ns

## SCM1200MF Series

### 3.4.8. SCM1246MF

Characteristics	Symbol	Conditions	Min.	Typ.	Max.	Unit
Collector-to-Emitter Leakage Current	$I_{CES}$	$V_{CE} = 600 \text{ V}, V_{IN} = 0 \text{ V}$	–	–	1	mA
Collector-to-Emitter Saturation Voltage	$V_{CE(SAT)}$	$I_C = 30 \text{ A}, V_{IN} = 5 \text{ V}$	–	1.7	2.2	V
Emitter-to-Collector Diode Forward Voltage	$V_F$	$I_F = 30 \text{ A}, V_{IN} = 0 \text{ V}$	–	1.9	2.4	V
<b>High-side Switching</b>						
Emitter-to-Collector Diode Reverse Recovery Time	$t_{rr}$	$V_{DC} = 300 \text{ V}, I_C = 30 \text{ A},$ inductive load, $V_{IN} = 0 \rightarrow 5 \text{ V}$ or $5 \rightarrow 0 \text{ V},$ $T_j = 25^\circ\text{C}$	–	60	–	ns
Turn-On Delay Time	$t_{d(on)}$		–	660	–	ns
Rise Time	$t_r$		–	110	–	ns
Turn-Off Delay Time	$t_{d(off)}$		–	700	–	ns
Fall Time	$t_f$		–	50	–	ns
<b>Low-side Switching</b>						
Emitter-to-Collector Diode Reverse Recovery Time	$t_{rr}$	$V_{DC} = 300 \text{ V}, I_C = 30 \text{ A},$ inductive load, $V_{IN} = 0 \rightarrow 5 \text{ V}$ or $5 \rightarrow 0 \text{ V},$ $T_j = 25^\circ\text{C}$	–	70	–	ns
Turn-On Delay Time	$t_{d(on)}$		–	660	–	ns
Rise Time	$t_r$		–	150	–	ns
Turn-Off Delay Time	$t_{d(off)}$		–	690	–	ns
Fall Time	$t_f$		–	50	–	ns

# SCM1200MF Series

## 4. Mechanical Characteristics

Characteristics	Conditions	Min.	Typ.	Max.	Unit	Remarks
Heatsink Mounting Screw Torque	See footnote below.*	0.588	—	0.784	N·m	
Flatness of Heatsink Attachment Area	See Figure 4-1.	0	—	200	μm	
Package Weight		—	11.8	—	g	

\* When mounting a heatsink, it is recommended to use a metric screw of M3 and a plain washer of 7 mm (φ) together at each end of it. See Section 13.2 for more details about screw tightening.

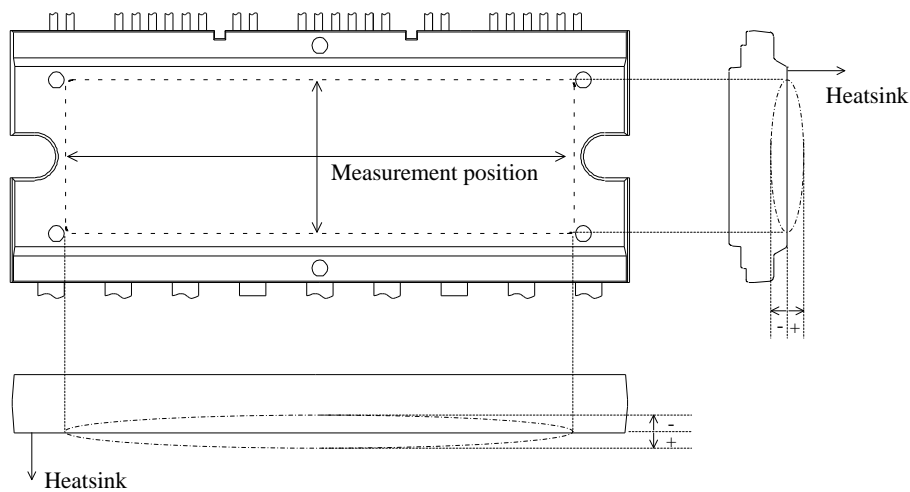


Figure 4-1. Flatness measurement position

## 5. Insulation Distance

Characteristics	Conditions	Min.	Typ.	Max.	Unit	Remarks
Clearance	Between heatsink* and leads. See Figure 5-1.	2.0	—	2.5	mm	
Creepage		3.86	—	4.26	mm	

\* Refers to when a heatsink to be mounted is flat. If your application requires a clearance exceeding the maximum distance given above, use an alternative (e.g., a convex heatsink) that will meet the target requirement.

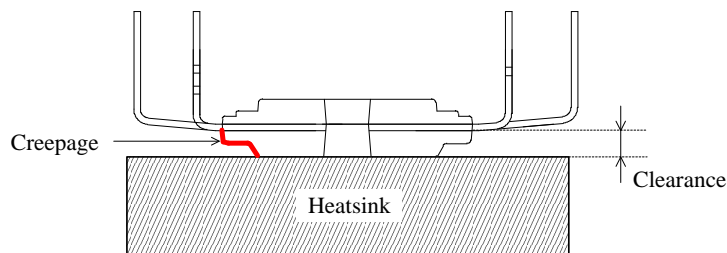


Figure 5-1. Insulation distance definition

**6. Truth Table**

Table 6-1 is a truth table that provides the logic level definitions of operation modes.

In the case where HIN and LIN signals in each phase are high at the same time, the simultaneous on-state prevention function sets both the high-side and low-side transistors off.

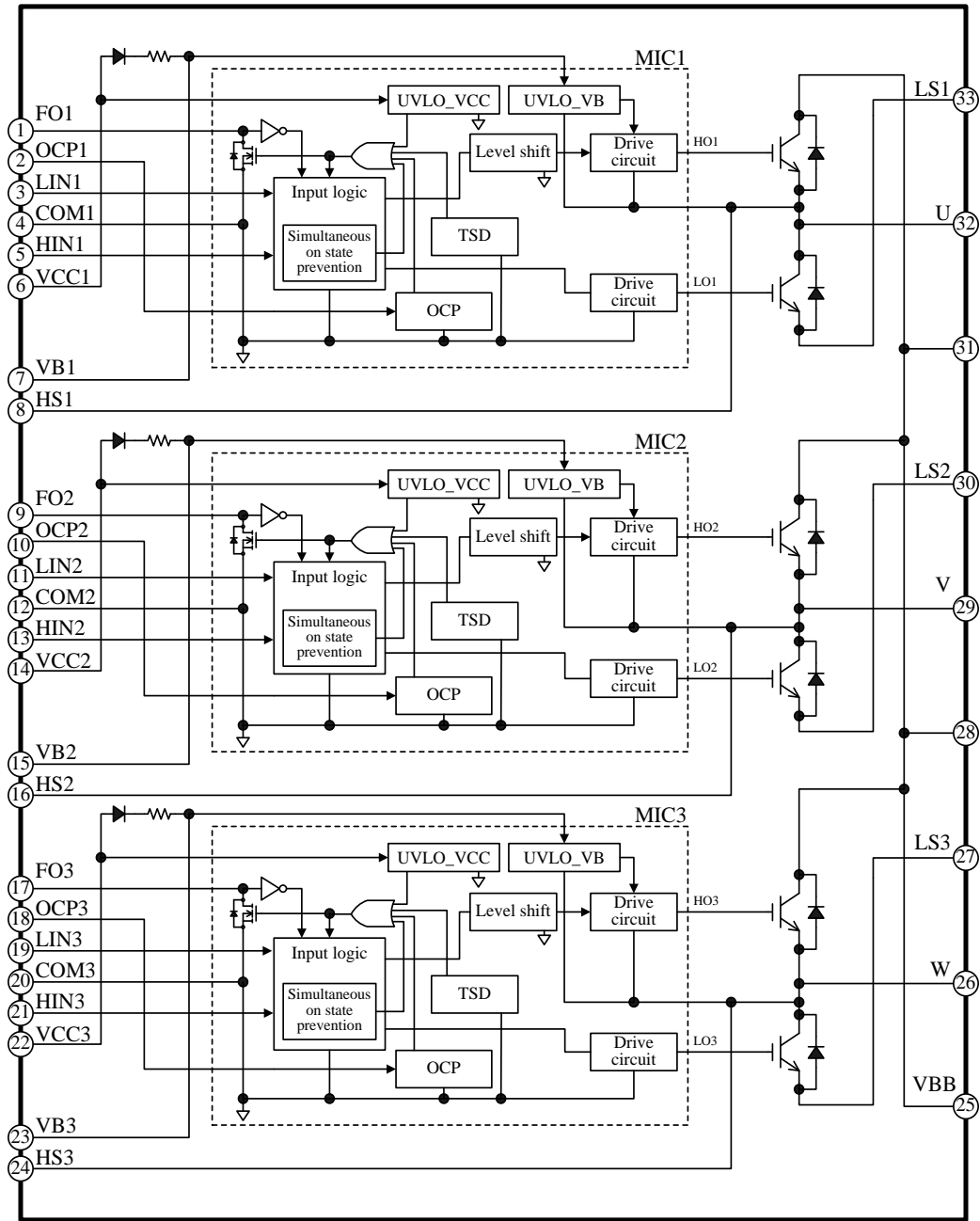
After recovering from a UVLO\_VCC condition, the high-side and low-side transistors resume switching according to the input logic levels of the next HIN and LIN signals (level-triggered).

After recovering from a UVLO\_VB condition, the high-side transistors resume switching at the next rising edge of an HIN signal (edge-triggered).

Table 6-1. Truth table for operation modes

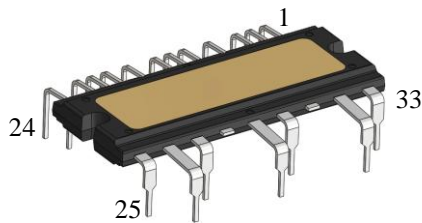
Mode	HIN	LIN	High-side Transistors	Low-side Transistors
Normal Operation	L	L	OFF	OFF
	H	L	ON	OFF
	L	H	OFF	ON
	H	H	OFF	OFF
External Shutdown Signal Input FO = L	L	L	OFF	OFF
	H	L	OFF	OFF
	L	H	OFF	OFF
	H	H	OFF	OFF
High-side Undervoltage Lockout for Power Supply (UVLO_VB)	L	L	OFF	OFF
	H	L	OFF	OFF
	L	H	OFF	ON
	H	H	OFF	OFF
Low-side Undervoltage Lockout for Power Supply (UVLO_VCC)	L	L	OFF	OFF
	H	L	OFF	OFF
	L	H	OFF	OFF
	H	H	OFF	OFF
Overcurrent Protection (OCP)	L	L	OFF	OFF
	H	L	OFF	OFF
	L	H	OFF	OFF
	H	H	OFF	OFF
Thermal Shutdown (TSD)	L	L	OFF	OFF
	H	L	OFF	OFF
	L	H	OFF	OFF
	H	H	OFF	OFF

7. Block Diagram

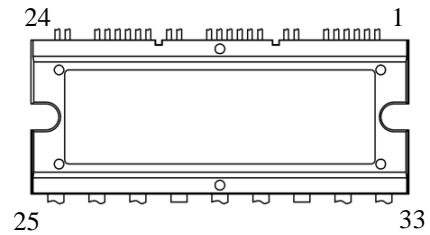


## SCM1200MF Series

### 8. Pin-out Diagram



Top view



Pin Number	Pin Name	Functions
1	FO1	U-phase fault output and shutdown signal input
2	OCP1	Input for U-phase Overcurrent Protection
3	LIN1	Logic input for U-phase low-side gate driver
4	COM1	U-phase logic ground
5	HIN1	Logic input for U-phase high-side gate driver
6	VCC1	U-phase logic supply voltage input
7	VB1	U-phase high-side floating supply voltage input
8	HS1	U-phase high-side floating supply ground
9	FO2	V-phase fault output and shutdown signal input
10	OCP2	Input for V-phase Overcurrent Protection
11	LIN2	Logic input for V-phase low-side gate driver
12	COM2	V-phase logic ground
13	HIN2	Logic input for V-phase high-side gate driver
14	VCC2	V-phase logic supply voltage input
15	VB2	V-phase high-side floating supply voltage input
16	HS2	V-phase high-side floating supply ground
17	FO3	W-phase fault output and shutdown signal input
18	OCP3	Input for W-phase Overcurrent Protection
19	LIN3	Logic input for W-phase low-side gate driver
20	COM3	W-phase logic ground
21	HIN3	Logic input for W-phase high-side gate driver
22	VCC3	W-phase logic supply voltage input
23	VB3	W-phase high-side floating supply voltage input
24	HS3	W-phase high-side floating supply ground
25	VBB	Positive DC bus supply voltage
26	W	W-phase output
27	LS3	W-phase IGBT emitter
28	VBB	(Pin trimmed) positive DC bus supply voltage
29	V	V-phase output
30	LS2	V-phase IGBT emitter
31	VBB	(Pin trimmed) positive DC bus supply voltage
32	U	U-phase output
33	LS1	U-phase IGBT emitter



9. Typical Applications

CR filters and Zener diodes should be added to your application as needed, so that you can: protect each pin against surge voltages causing malfunctions; and avoid the IC being used under the conditions exceeding the absolute maximum ratings, resulting in critical damage to itself. Then test all the pins thoroughly under actual operating conditions to ensure that your application works flawlessly.

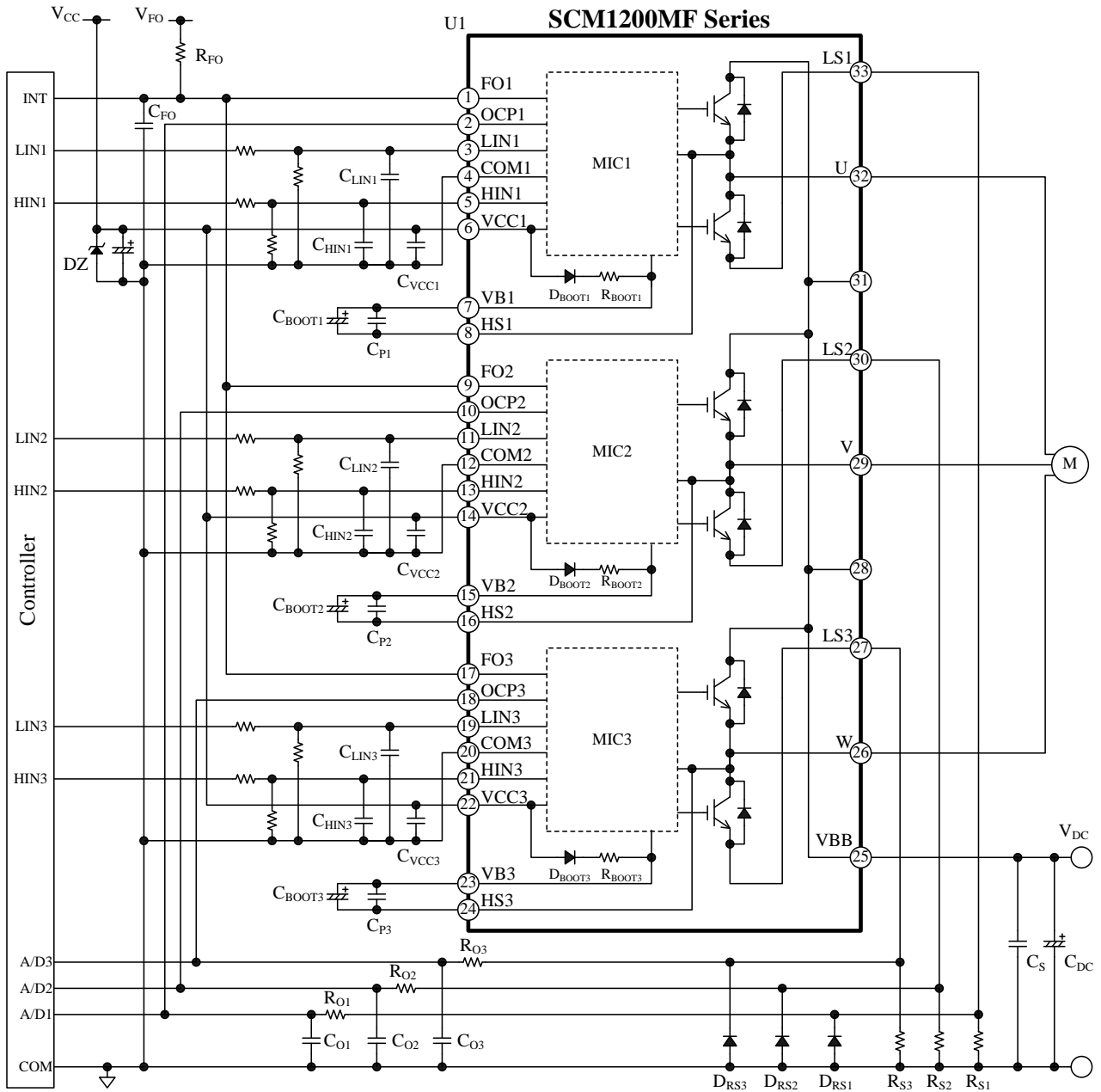


Figure 9-1. Typical application using three shunt resistors

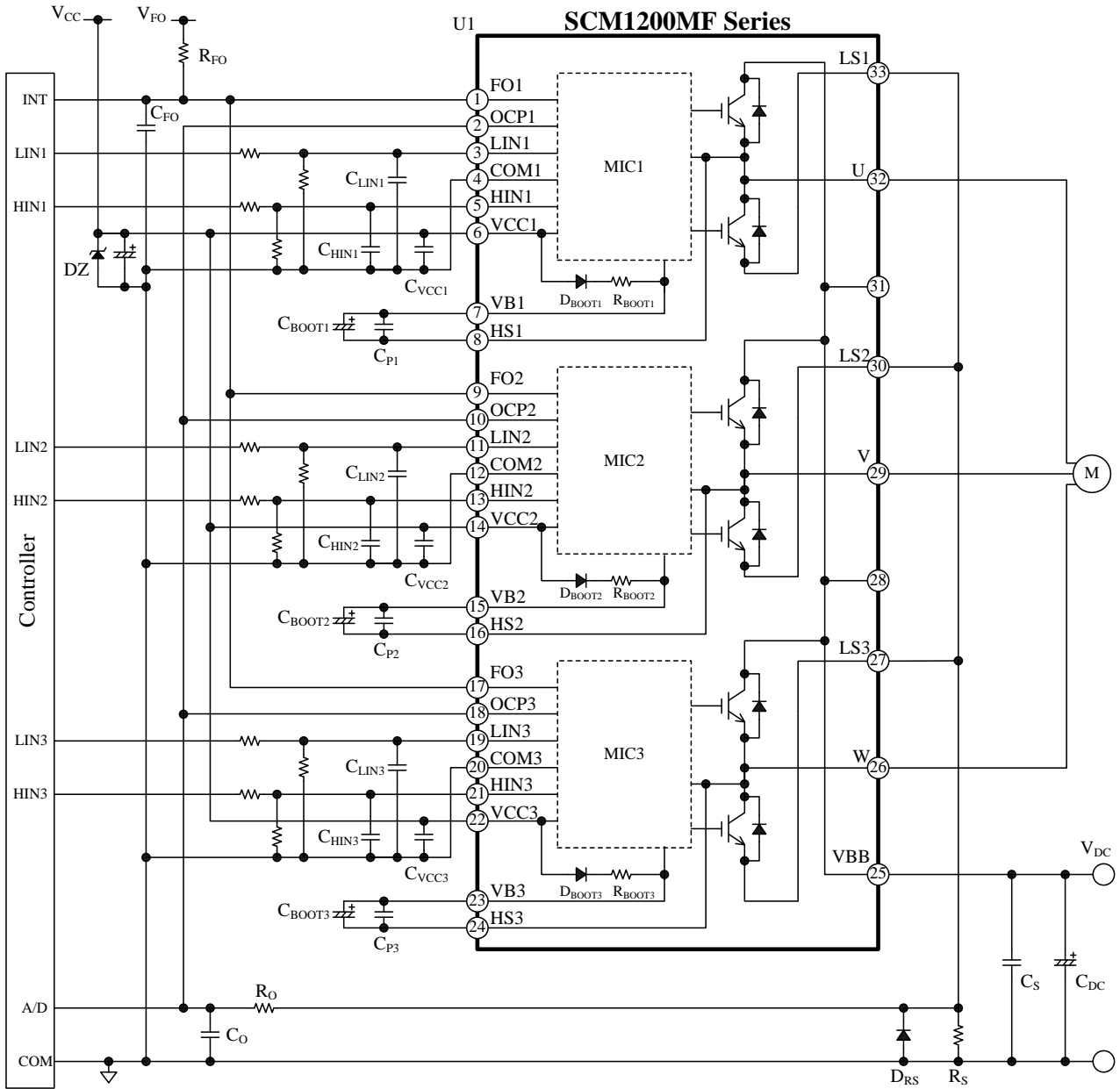
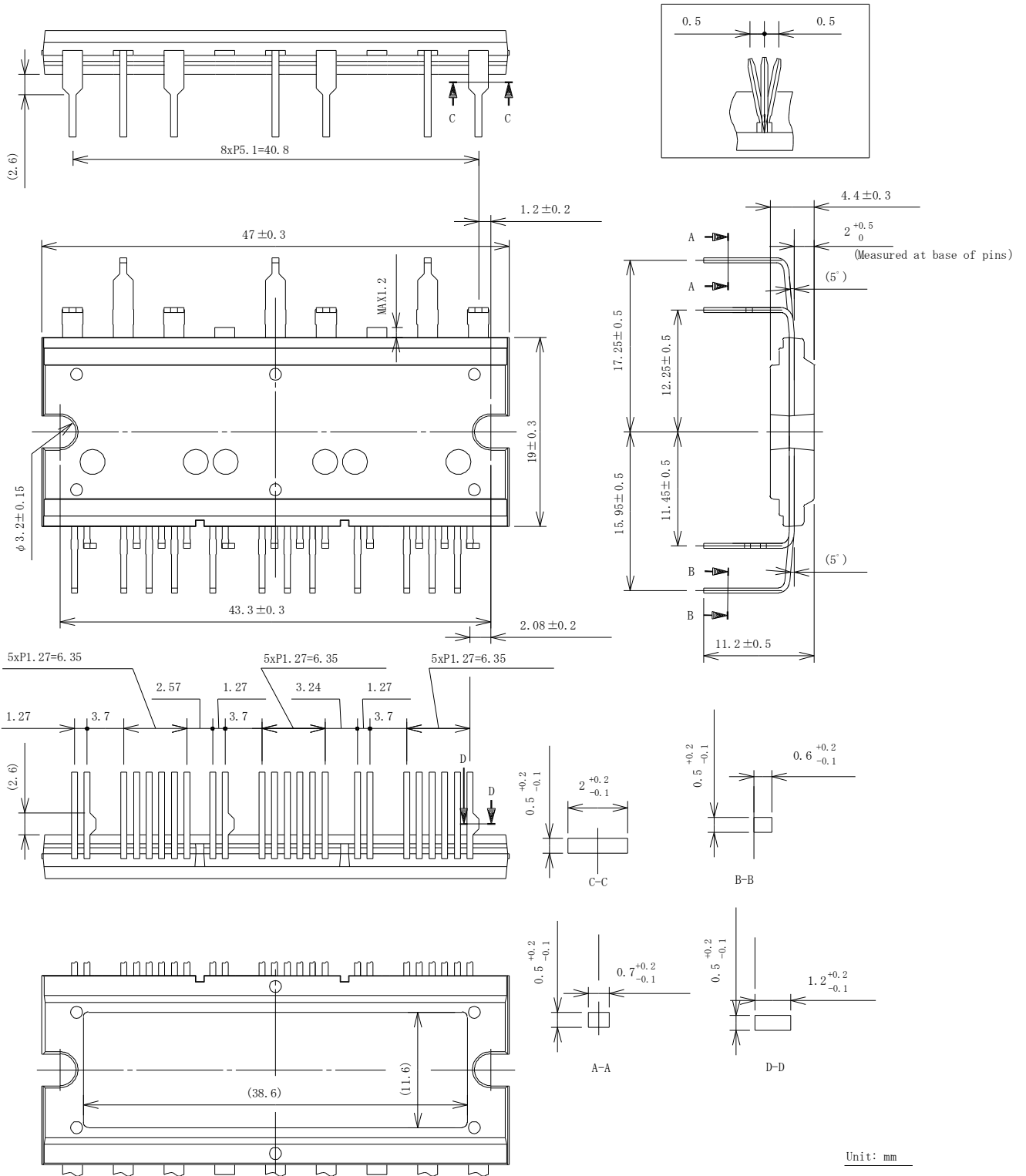


Figure 9-2. Typical application using shingle shunt resistor

# SCM1200MF Series

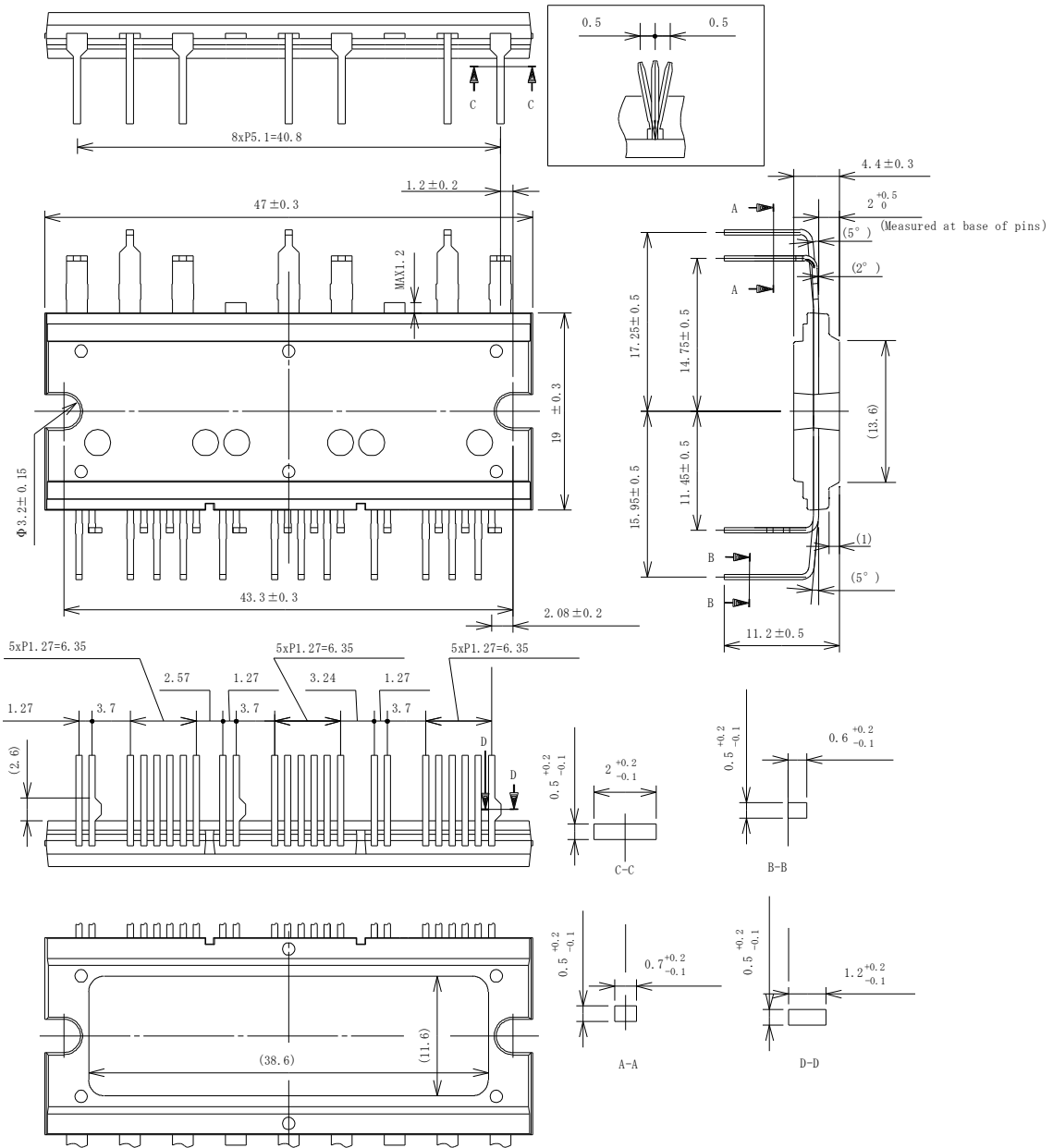
## 10. External Dimensions

### 10.1. LF2552



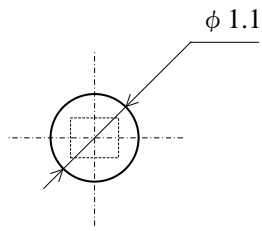


10.3. LF2558 (Wide Lead-Forming Type)

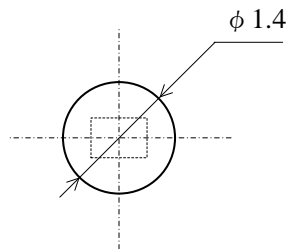


Unit: mm

10.4. Recommended PCB Hole Size

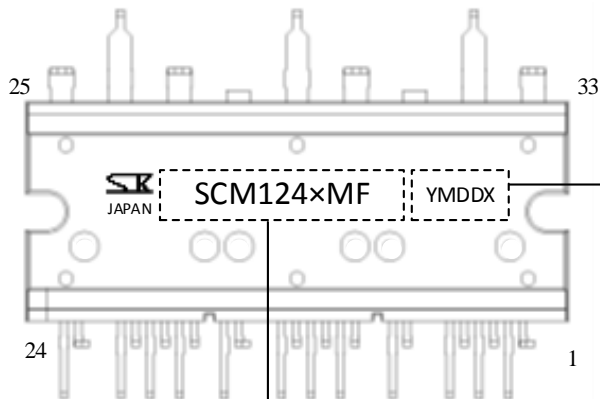
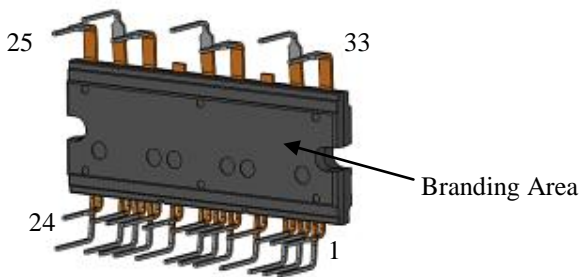


1 pin ~ 24 pin



25 pin ~ 33 pin

11. Marking Diagram



Lot Number:  
 Y is the last digit of the year of manufacture (0 to 9)  
 M is the month of the year (1 to 9, O, N or D)  
 DD is the day of the month (01 to 31)  
 X is the control number

Part Number

12. Functional Descriptions

All the characteristic values given in this section are typical values, unless they are specified as minimum or maximum.

For pin descriptions, this section employs a notation system that denotes a pin name with the arbitrary letter “x”, depending on context. The U, V, and W phases are represented as the pin numbers 1, 2, and 3, respectively. Thus, “(the) VBx pin” is used when referring to either of the VB1, VB2, or VB3 pin. Also, when different pin names are mentioned as a pair (e.g., “the VBx and HSx pins”), they are meant to be the pins in the same phase.

12.1. Turning On and Off the IC

The procedures listed below provide recommended startup and shutdown sequences.

To turn on the IC properly, do not apply any voltage on the VBB, HINx, and LINx pins until the logic power supply, VCC, has reached a stable state ( $V_{CC(ON)} \geq 12.5$  V). It is required to charge bootstrap capacitors, C<sub>BOOT</sub>, up to full capacity at startup (see Section 12.2.2).

To turn off the IC, set the HINx and LINx pins to logic low (or “L”), and then decrease the VCCx pin voltage.

12.2. Pin Descriptions

12.2.1. U, V, and W

These pins are the outputs of the three phases, and serve as connection terminals to the three-phase motor.

The U, V, and W pins are internally connected to the HS1, HS2, and HS3 pins, respectively.

12.2.2. VB1, VB2, and VB3

These are the inputs of the high-side floating power supplies for the individual phases.

Voltages across the VBx and HSx pins should be maintained within the recommended range (i.e., the Logic Supply Voltage, V<sub>BS</sub>) given in Section 2.

In each phase, a bootstrap capacitor, C<sub>BOOT</sub>, should be connected between the VBx and HSx pins.

For proper startup, turn on the low-side transistor first, then charge the bootstrap capacitor, C<sub>BOOT</sub>, up to its maximum capacity.

Satisfying the formulas below can provide optimal capacitance for the bootstrap capacitors, C<sub>BOOT</sub>. Note that whichever resulting value is larger should be chosen in order to deal with capacitance tolerance and DC bias characteristics.

$$C_{BOOT}(\mu F) > 800 \times T_{L(OFF)}(s) \tag{1}$$

$$10 \mu F \leq C_{BOOT} \leq 220 \mu F \tag{2}$$

In Formula (1), let T<sub>L(OFF)</sub> be the maximum off-time of the low-side transistor, measured in seconds, with the charging time of C<sub>BOOT</sub> excluded.

Even during the high-side transistor is not on, voltage on the bootstrap capacitor keeps decreasing due to power dissipation in the IC. When the VBx pin voltage decreases to V<sub>BS(OFF)</sub> or less, the high-side undervoltage lockout (UVLO\_VB) starts operating (see Section 12.3.3.1). Therefore, actual board testing should be done thoroughly to validate that voltage across the VBx pin maintains over 12.0 V (V<sub>BS</sub> > V<sub>BS(OFF)</sub>) during a low-frequency operation such as a startup period.

As shown in Figure 12-1, in each phase, a bootstrap diode, D<sub>BOOT</sub>, and a current-limiting resistor, R<sub>BOOT</sub>, are placed in series between the VCCx and the VBx pins.

The charging time of C<sub>BOOT</sub>, t<sub>c</sub>, is given by Formula (3):

$$t_c = C_{BOOT} \times R_{BOOT} , \tag{3}$$

where C<sub>BOOT</sub> is the optimized capacitance of the bootstrap capacitor, and R<sub>BOOT</sub> is the resistance of the current-limiting resistor (22 Ω ± 20 %).

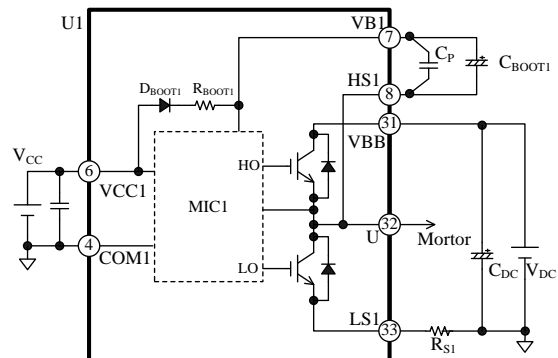


Figure 12-1. Bootstrap circuit

Figure 12-2 shows an internal level-shifting circuit that produces high-side output signals, HOx. A high-side output signal, HOx, begins to respond when an input signal, HINx, transits from low to high (rising edge) or high to low (falling edge). And a signal triggered on a rising edge is called “Set”, whereas a signal triggered on a falling edge is called “Reset”. Either of these two signals, Set or Reset, is then transmitted to the high-side by the level-shifting circuit. Finally, the SR flip-flop circuit feeds an output signal, Q (i.e., HOx).

Figure 12-3 is a timing diagram describing how noise or other detrimental effects will improperly influence the

level-shifting process. When a sharp voltage drop, which is affected by noise, between the  $V_{Bx}$  and  $HSx$  pins (also denoted as “ $V_{Bx}-HSx$ ” in the tables in previous sections), occurs after the Set signal generation, the next Reset signal cannot be sent to the SR flip-flop circuit. And the state of the high-side output,  $HOx$ , stays logic high (or “H”) because the SR flip-flop does not respond. With the  $HOx$  state being held high, the next  $LINx$  signal can still turn on the low-side transistor and cause a simultaneously-on condition which may result in critical damage to the IC.

To protect the  $V_{Bx}$  pin against such noise effect, add a bootstrap capacitor,  $C_{BOOT}$ , in each phase.  $C_{BOOT}$  should be placed near the IC and connected between the  $V_{Bx}$  and  $HSx$  pins with a minimal length of traces. To use an electrolytic capacitor, add a 0.01  $\mu F$  to 0.1  $\mu F$  bypass capacitor,  $C_p$ , in parallel near other functional pins used for the same phase.

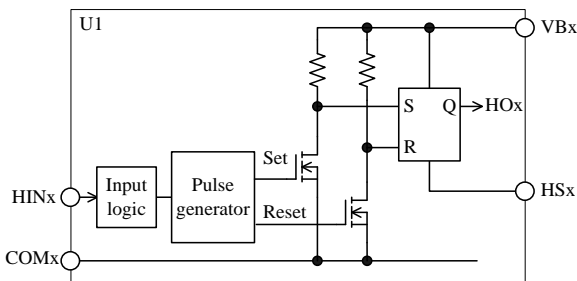


Figure 12-2. Internal level-shifting circuit

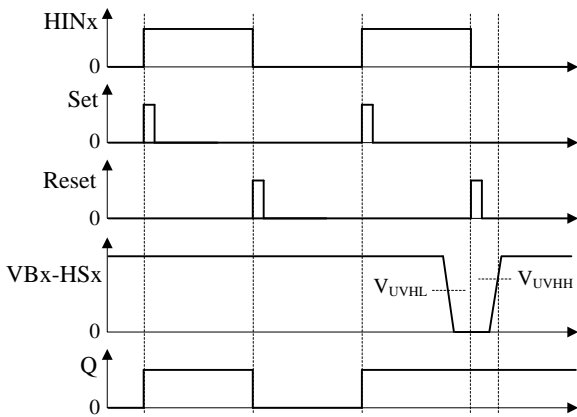


Figure 12-3 Waveforms at  $V_{Bx}-HSx$  voltage drop

### 12.2.3. HS1, HS2, and HS3

These pins are the grounds of the high-side floating supplies for each phase, and are connected to negative nodes of the bootstrap capacitors,  $C_{BOOT}$ .

The HS1, HS2, and HS3 pins are internally connected to the U, V, and W pins, respectively.

### 12.2.4. VCC1, VCC2, and VCC3

These are the logic supply pins for the built-in pre-driver ICs. The VCC1, VCC2, and VCC3 pins must be externally connected on a PCB because they are not internally connected. To prevent malfunction induced by supply ripples or other factors, put a 0.01  $\mu F$  to 0.1  $\mu F$  ceramic capacitor,  $C_{VCC}$ , near other functional pins used for the same phase. To prevent damage caused by surge voltages, put a 18 V to 20 V Zener diode, DZ, between the  $V_{CCx}$  and  $COMx$  pins.

Voltages to be applied between the  $V_{CCx}$  and  $COMx$  pins should be regulated within the recommended operational range of  $V_{CC}$ , given in Section 2.

### 12.2.5. COM1, COM2, and COM3

These are the logic ground pins for the built-in pre-driver ICs. For proper control, each of them must be connected to the corresponding ground pin. The COM1, COM2, and COM3 pins should be connected externally on a PCB because they are not internally connected. Varying electric potential of ground can be a cause of improper operations; therefore, each connection point of these pins should be as close to the  $LSx$  pin as possible but separated from the power ground. Moreover, extreme care should be taken when wiring so that currents from the power ground do not affect the  $COMx$  pin. To reduce noise effects, connect these pins closely to shunt resistors,  $R_s$ , at a single-point ground (or, a star ground) with traces of a minimal length (see Figure 12-4).

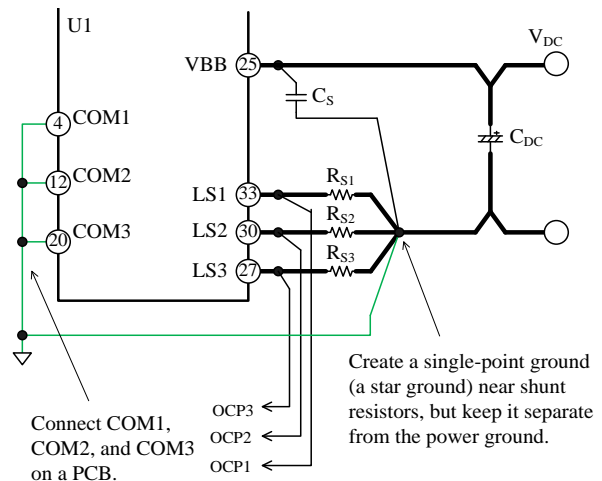


Figure 12-4. Connections to ground pin



12.2.6. HIN1, HIN2, HIN3, LIN1, LIN2, and LIN3

These are the input pins of the internal motor drivers for each phase. The HIN<sub>x</sub> pin acts as a high-side controller, whereas the LIN<sub>x</sub> pin acts as a low-side controller.

Figure 12-5 shows an internal circuit diagram of the HIN<sub>x</sub> or LIN<sub>x</sub> pin.

This is a CMOS Schmitt trigger circuit with 22 kΩ pull-down resistor and input logic is active high.

Input signals through the HIN<sub>x</sub>–COM<sub>x</sub> and the LIN<sub>x</sub>–COM<sub>x</sub> pins in each phase should be set within the ranges provided in Table 12-1, below. Note that dead time setting must be done because the IC does not have a dead time generator.

The higher PWM carrier frequency rises, the more switching loss increases. Hence, the PWM carrier frequency must be set so that operational case temperatures and junction temperatures can have sufficient margins in the absolute maximum ranges specified in Section 1.

If the signals from the microcontroller become unstable, the IC may result in malfunctions. To avoid this event, control the outputs from the microcontroller output line should not be high impedance.

Also, if the traces between the microcontroller and both the HIN<sub>x</sub> and LIN<sub>x</sub> pins are too long, the traces may be interfered by noise. Therefore, it is recommended to add an additional filter or a pull-down resistor near the the HIN<sub>x</sub> or LIN<sub>x</sub> pin as needed. (See Figure 12-6.

Here are filter circuit constants for reference:

- R<sub>IN1</sub>: 33 Ω to 100 Ω
- R<sub>IN2</sub>: 1 kΩ to 10 kΩ
- C<sub>IN</sub>: 100 pF to 1000 pF

Extra attention should be paid when adding R<sub>IN1</sub> and R<sub>IN2</sub> to the traces. When they are connected each other, the input voltage of the HIN<sub>x</sub> and LIN<sub>x</sub> pins becomes slightly lower than the output voltage of the microcontroller.

Table 12-1. Input signals for HIN<sub>x</sub> and LIN<sub>x</sub> pins

Parameter	“H” Level Signal	“L” Level Signal
Input Voltage	3 V < V <sub>IN</sub> < 5.5 V	0 V < V <sub>IN</sub> < 0.5 V
Input Pulse Width	≥ 0.5 μs	≥ 0.5 μs
PWM Carrier Frequency	≤ 20kHz	
Dead Time	≥ 1.0 μs ≥ 1.5 μs (SCM1242MF、SCM1250M)	

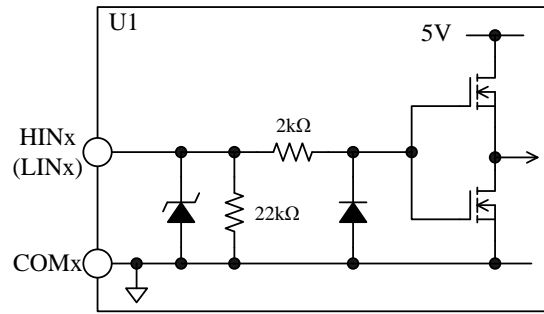


Figure 12-5. Internal circuit diagram of HIN<sub>x</sub> or LIN<sub>x</sub> pin

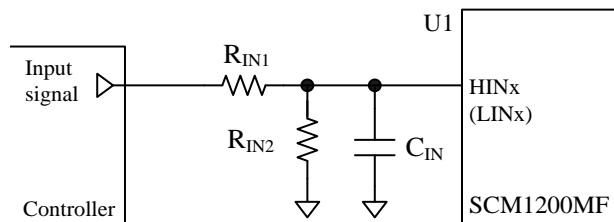


Figure 12-6. Filter circuit for HIN<sub>x</sub> or LIN<sub>x</sub> pin

12.2.7. VBB

This is the input pin for the main supply voltage, i.e., the positive DC bus. All of the IGBT collectors of the high-side are connected to this terminal.

Voltages between the VBB and COM<sub>x</sub> pins should be set within the recommended range of the main supply voltage, V<sub>DC</sub>, given in Section 2.

To absorb surge voltages, put a 0.01 μF to 0.1 μF snubber capacitor, C<sub>S</sub>, near the VBB pin and an electrolytic capacitor, C<sub>DC</sub>, with a minimal length of PCB traces to the VBB pin.

12.2.8. LS1, LS2, and LS3

These are emitter pins of the low-side IGBTs. The LS1, LS2, and LS3 pins are connected to the shunt resistors,  $R_s$ .

When connecting shunt resistors to these pins, such as for current detection, trace lengths from the shunt resistors to the IC should be as short as practicable. Otherwise, malfunctioning may occur because a longer circuit trace increases its inductance and thus increases its susceptibility to improper operations.

For applications where long PCB traces are required, add a fast recovery diode,  $D_{RS}$ , between the LSx and COMx pins in order to prevent the IC from malfunctioning.

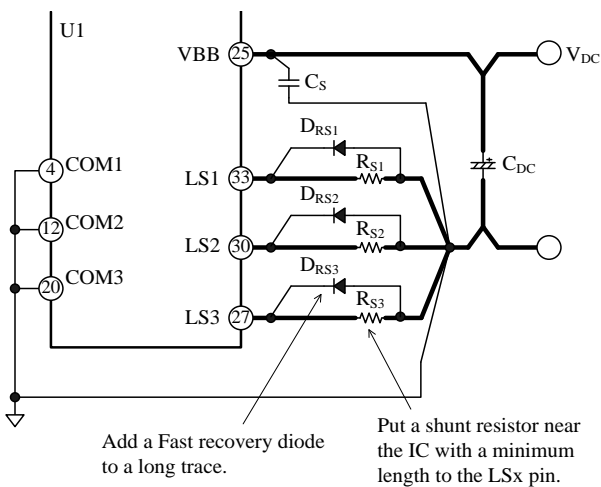


Figure 12-7. Connections to LS pin

12.2.9. OCP1, OCP2, and OCP3

These pins serve as the inputs of the Overcurrent Protection (OCP) for the currents go through output transistors.

Section 12.3.4 provides further information about the OCP circuit configuration and its mechanism.

12.2.10. FO1, FO2, and FO3

These pins operate as fault signal outputs and shutdown signal inputs for each of the three phases.

Sections 12.3.1 and 12.3.2 explain these two functions in detail, respectively.

Figure 12-8 illustrates a schematic diagram of the FOx pin and its peripheral circuit. Because of its open-drain nature, each of the FOx pins should be tied by a pull-up resistor,  $R_{FO}$ , to external power supply voltage,  $V_{FO}$ . The external power supply voltage,  $V_{FO}$ , should range from 3.0 V to 5.5 V.

Figure 12-10 shows a relation between the FOx pin voltage and a pull-up resistance value. When a pull-up

resistor,  $R_{FO}$ , has a too small resistance value, the FOx pin voltage at fault signal output becomes high due to the on-resistance of a built-in MOSFET,  $Q_{FO}$  (Figure 12-8). Therefore, it is recommended to use a 1 k $\Omega$  to 22 k $\Omega$  pull-up resistor when the low-level input threshold voltage of a microcontroller,  $V_{IL}$ , is set to 1.0 V.

To suppress noise, add a filter capacitor,  $C_{FO}$ , near the IC with minimizing a trace length between the FOx and COMx pins. Note that, however, this additional filtering allows a delay time,  $t_{D(FO)}$ , to occur, as shown in Figure 12-9. The delay time,  $t_{D(FO)}$ , is a period of time which starts when the IC receives a fault flag turning on the internal MOSFET,  $Q_{FO}$ , and continues until when the FOx pin reaches its threshold voltage ( $V_{IL}$ ) of 1.0 V or below (put simply, until the time when the IC detects a logic low state, “L”).

Figure 12-11 shows how the delay time,  $t_{D(FO)}$ , and the noise filter capacitor,  $C_{FO}$ , are related.

To avoid the repetition of Overcurrent Protection (OCP) activations, the external microcontroller must shut off any input signals to the IC within an OCP hold time,  $t_p$ , which occurs after the MOSFET ( $Q_{FO}$ ) turn-on.  $t_p$  is 15  $\mu$ s where minimum values of temperature characteristics are taken into account. (For more details, see Section 12.3.4.)

When  $V_{IL}$  is set to 1.0 V, it is recommended to use a 0.001  $\mu$ F to 0.01  $\mu$ F noise filter capacitor,  $C_{FO}$ , allowing a sufficient margin to deal with variations in characteristics.

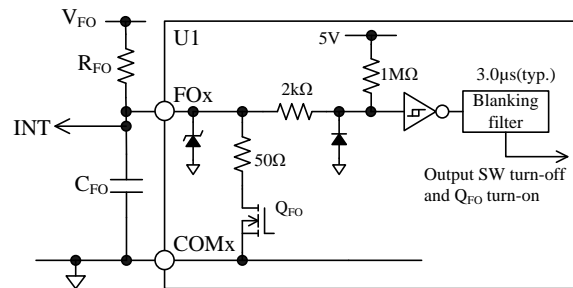


Figure 12-8. Internal circuit diagram of FOx pin and its peripheral circuit

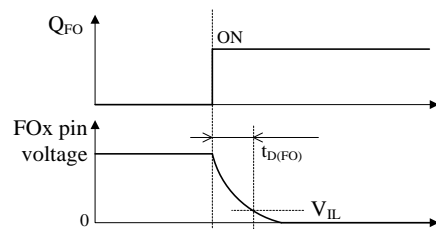


Figure 12-9. FOx pin delay time,  $t_{D(OFF)}$

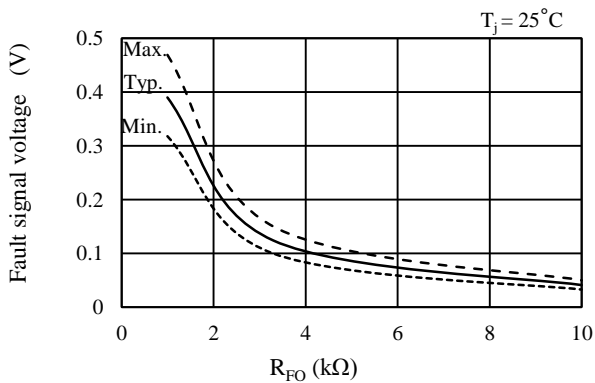


Figure 12-10. Fault signal voltage vs. pull-up resistor value,  $R_{FO}$

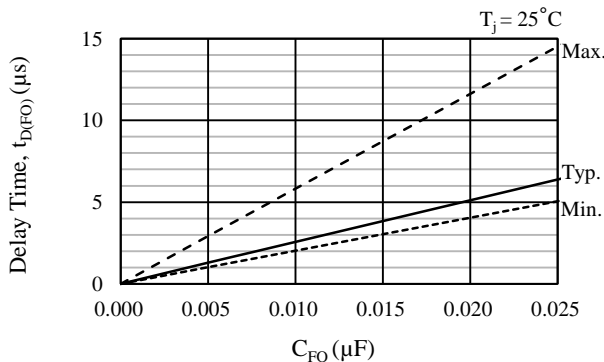


Figure 12-11. Delay time,  $t_{D(FO)}$  vs. filter capacitor,  $C_{FO}$

### 12.3. Protection Functions

This section describes the various protection circuits provided in the SCM1200MF series.

The protection circuits include: the undervoltage lockout for power supply (UVLO), the simultaneous on-state prevention function, the overcurrent protection (OCP), and the thermal shutdown (TSD).

In case one or more of these protection circuits are activated, the FO pin outputs a fault signal and the external microcontroller stops all operations of the three phases. The external microcontroller can also shut down the IC operations by inputting a fault signal to the FOx pin.

In the following function descriptions, “HOx” denotes a gate input signal on the high-side transistor; whereas “LOx” denotes a gate input signal on the low-side transistor (See also the diagrams in Section 7.). “VBx–HSx” refers to the voltages between the VBx pin and HSx pin.

### 12.3.1. Fault Signal Output

In case one or more of the following protections are actuated, internal MOSFET,  $Q_{FO}$ , turns on and the FOx pin becomes to logic low ( $\leq 0.5$  V).

- 1) Low-side undervoltage lockout (UVLO\_VCC)
- 2) Overcurrent protection (OCP)
- 3) Simultaneous on-state prevention
- 4) Thermal shutdown (TSD)

During the time when the FOx pin holds the logic low state, the high- and low-side transistors of each phase turn off. In normal operation, the FOx pin holds an “H” state and outputs a 5 V signal.

The fault signal output time of the FOx pin at OCP activation is OCP hold time ( $t_p$ ) of 26  $\mu$ s (typ.), fixed by a built-in feature of the IC itself (see Section 12.3.4). The fault signals are then sent to an interrupt pin (INT) of the external microcontroller, and should be processed as an interrupt task to be done within the predetermined OCP hold time,  $t_p$ .

### 12.3.2. Shutdown Signal Input

The FO1, FO2, and FO3 pins also can be the input pins of shutdown signals. When the FOx pin becomes logic low, the high- and low-side transistors of each phase turn off.

The voltages and pulse widths of the shutdown signals to be applied between the FOx and COMx pins are listed in Table 12-2.

Table 12-2. Shutdown signals

Parameter	“H” Level Signal	“L” Level Signal
Input Voltage	$3\text{ V} < V_{IN} < 5.5\text{ V}$	$0\text{ V} < V_{IN} < 0.5\text{ V}$
Input Pulse Width	$\geq 0.5\ \mu\text{s}$	$\geq 0.5\ \mu\text{s}$

In Figure 12-12, FO1, FO2 and FO3 are all connected. If an abnormal condition is detected by either one of the MICs, the high- and low-side transistors of all phases can be turned off at once.

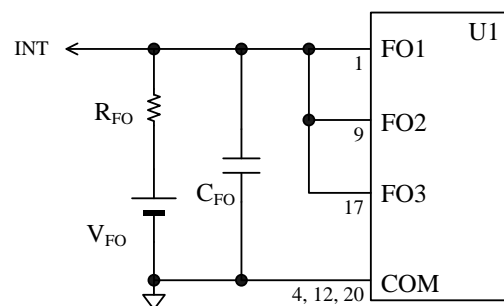


Figure 12-12. All-phase shutdown circuit

### 12.3.3. Undervoltage Lockout for Power Supply (UVLO)

In case the gate-driving voltage of output transistors decreases, the steady-state power dissipation of the transistors increases and the IC may have permanent damage, in the worst case. To prevent this event, the SCM1200MF series has the undervoltage lockout (UVLO) circuit for both of the high- and low-side power supplies in each controller IC (MIC).

#### 12.3.3.1. Undervoltage Lockout for High-side Power Supply (UVLO\_VB)

Figure 12-13 shows operational waveforms of the undervoltage lockout operation for high-side power supply (i.e., UVLO\_VB).

When the voltage between the VBx and HSx pins (VBx–HSx) decreases to the Logic Operation Stop Voltage of high-side ( $V_{BS(OFF)}$ , 11.0 V), the UVLO\_VB circuit in the corresponding phase activates and sets only HOx signals to logic low. When the voltage between the VBx and HSx pins increases to the Logic Operation Start Voltage of high-side ( $V_{BS(ON)}$ , 11.5 V), the IC releases the UVLO\_VB condition. Then, the HOx signals become logic high at the rising edge of the first input command after the UVLO\_VB release.

The FOx pin does not transmit any fault signals during the UVLO\_VB activation. In addition, each of the VBx pins has an internal UVLO\_VB filter of about 3  $\mu$ s, in order to prevent noise-induced malfunctions.

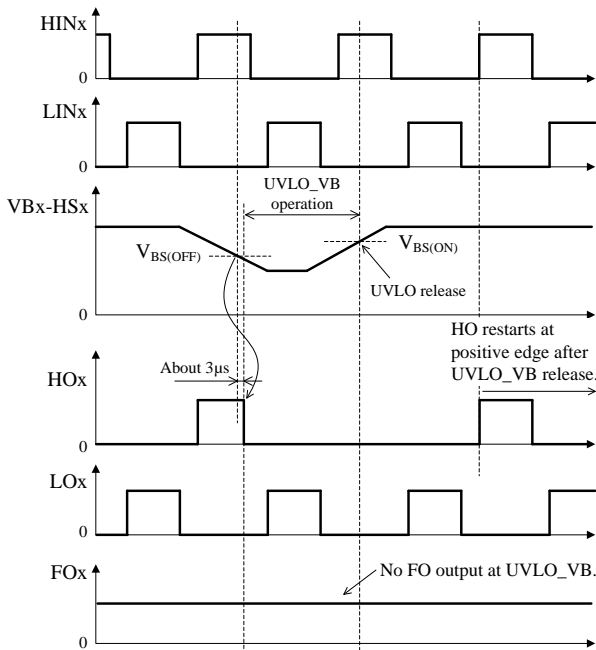


Figure 12-13. Operational waveforms of UVLO\_VB

#### 12.3.3.2. Undervoltage Lockout for Low-side Power Supply (UVLO\_VCC)

Figure 12-14 shows operational waveforms of the undervoltage lockout operation for low-side power supply (i.e., UVLO\_VCC).

When the VCCx voltage decreases to the Logic Operation Stop Voltage of low-side ( $V_{CC(OFF)}$ , 11.0 V), the UVLO\_VCC circuit in the corresponding phase activates and sets both of HOx and LOx signals to logic low.

When the VCCx voltage increases to the Logic Operation Start Voltage of low-side ( $V_{CC(ON)}$ , 11.5 V), the IC releases the UVLO\_VCC condition. Then it resumes transmitting HOx and LOx signals according to the input commands on the HINx and LINx pins.

The FOx pin becomes logic low during the UVLO\_VCC activation.

In addition, each of the VCCx pins has an internal UVLO\_VCC filter of about 3  $\mu$ s, in order to prevent noise-induced malfunctions.

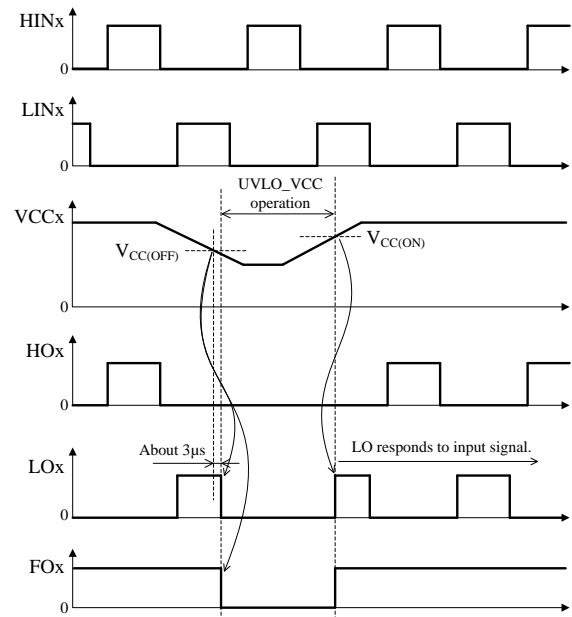


Figure 12-14. UVLO\_VCC operational waveforms

### 12.3.4. Overcurrent Protection (OCP)

Figure 12-15 shows an internal circuit diagram of the OCPx pin, and OCPx pin peripheral circuitry.

The OCPx pin detects overcurrents with input voltage across external shunt resistor,  $R_s$ . Since the OCPx pin is internally pulled-down, the OCPx pin voltage increases proportionally to a rise in the current running through the shunt resistor.

Figure 12-16 is a timing chart that represents

operation waveforms at OCP. When the OCPx pin voltage increases to an Overcurrent Protection Threshold Voltage,  $V_{TRIP}$ , of 0.50 V, and then keeps in that condition for an Overcurrent Protection Blanking Time,  $t_{BK}$ , of 1.65  $\mu$ s or longer, the OCP circuit starts operating. The enabled OCP circuit then shuts off the output transistors and puts the FOx pin into a logic low state. Even if the OCPx pin voltage falls below  $V_{TRIP}$ , the IC keeps in a logic low state for a fixed OCP hold time ( $t_p$ ) of 26  $\mu$ s (typ.). Then, the output transistors operate according to input signals. Then, the output transistors operate according to input signals.

The OCP circuits in the SCM1200MF series are used for detecting abnormal conditions, such as an output transistor shorted. Therefore, motor operation must be stopped by the external microcontroller, which can receive and handle fault signals from the IC. Otherwise, your application will be more likely to cause short circuit conditions repeatedly, thus the breakdown of the output transistors.

Care should also be taken when using a 3-shunt resistor system in your application. The IC running on the 3-shunt resistor system only shuts off the output transistor in the phase where an overcurrent condition exists. And a fault signal is transmitted from the FOx pin of the phase being under the overcurrent condition.

As already shown in Figure 12-12, if all of the FOx pins being used makes a short circuit, a fault signal sent from the corresponding phase can turn off the output transistors of all phases (see Section 12.3.2).

To place a shunt resistor in an actual application, users must set:

- the shunt resistor to have the resistance specified as shunt resistor,  $R_S$  (see the recommended operating condition table, Section 2);
- input voltages of the OCPx pin to keep their levels within the range defined as the OCPx pin voltage,  $V_{OCP}$  (see the absolute maximum rating table, Section 1); and
- currents through output transistors to keep their levels under the rated output current (pulsed),  $I_{OP}$  (see the absolute maximum rating table, Section 1).

Because high-frequency switching currents flow through the shunt resistors,  $R_S$ , choose a resistor that has low inductance and allows high power dissipation.

When adding a CR filter (a pair of a filter resistor,  $R_O$  and a filter capacitor,  $C_O$ ) to the OCPx pin, the following should be taken into account. Time constants of  $R_O$  and  $C_O$  should be set to the values listed in Table 12-3.

The larger the time constant, the longer the time that the OCPx pin voltage rises to  $V_{TRIP}$ . And this may cause permanent damage to the transistors. Consequently, the time constants given here are determined in consideration of the total delay time the IC will have.

The filter capacitor,  $C_O$ , should also be placed near the IC, between the OCPx and COMx pins with a minimal

length of traces.

Note that overcurrents are undetectable when one or more of the U, V, and W pins are shorted to ground (ground fault). In case either of these pins falls into a state of ground fault, the transistors may be destroyed.

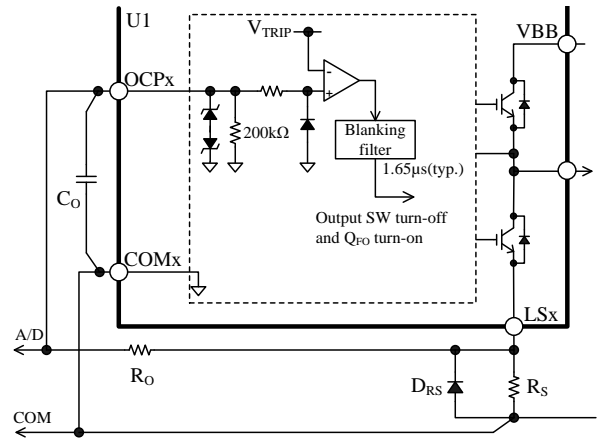


Figure 12-15. Internal circuit diagram of OCPx pin and OCPx pin peripheral circuitry

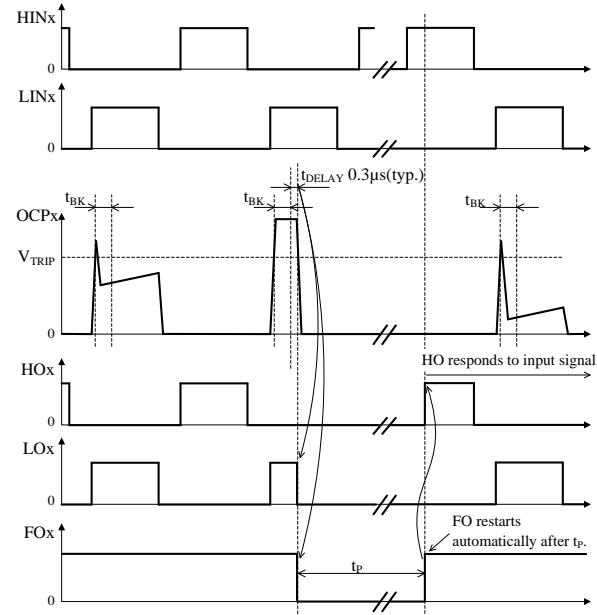


Figure 12-16. OCP operational waveforms

Table 12-3. Recommend time constants for CR filter

Products	Recommend time constants
SCM124×MF SCM125×MF	0.22 $\mu$ s or less
SCM126×MF	1 $\mu$ s or less

**12.3.5. Simultaneous On-state Prevention**

When both of the HINx and LINx pins receive logic high signals at once, the high- and low-side transistors turn on at the same time, allowing overcurrents to pass through. As a result, the switching transistors will be destroyed. In order to protect this event, the simultaneous on-state prevention circuit is built into each of the controller ICs. Note that incorrect command input and noise interference are also largely responsible for such a simultaneous-on condition.

When logic high signals are asserted on the HINx and LINx pins at once, as shown in Figure 12-17, this function gets activated and turns the high- and low-side transistors off.

Then, the FOx pin becomes a logic low state, and sends fault signals during this function activation.

After the IC comes out of the simultaneous On-state, "HOx" and "LOx" start responding in accordance with HINx and LINx input commands again. In order to prevent malfunctions due to noise, the simultaneous on-state prevention circuitry has a filter of about 0.8 μs.

Note that the function does not have any of dead-time programming circuits. Input signals to the HINx and LIN pins must have proper dead times as defined in Section 0).

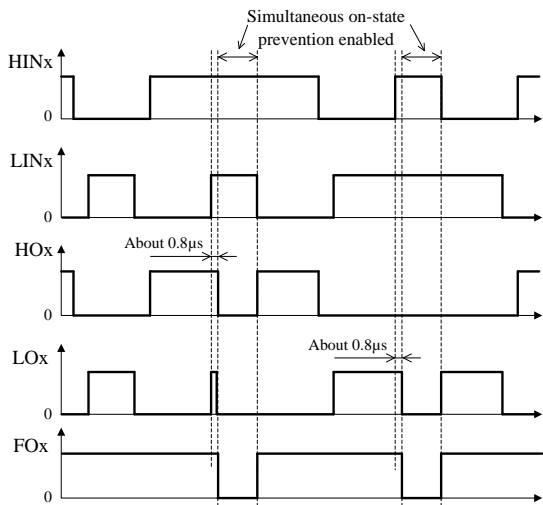


Figure 12-17. Operational waveforms of Simultaneous On-state Prevention

**12.3.6. Thermal Shutdown (TSD)**

The IC has thermal shutdown (TSD) circuits. Figure 12-18 shows the TSD operational waveforms.

In case of overheating, e.g., increased power dissipation due to overload, or an ambient temperature rise at the device, the IC shuts down the high- and low-side output transistors.

Thermal detection is monitored by the MICs (see Section 7).

When the temperature of the MIC increases to  $T_{DH} = 150\text{ }^{\circ}\text{C}$  or more, the corresponding TSD circuit is activated. When the temperature decreases to  $T_{DL} = 120\text{ }^{\circ}\text{C}$  or less, the shut-down condition is released and the transistors resume operating according to input signals.

When the TSD circuits is being enabled, FOx pin becomes logic low and transmits fault signals.

Note that junction temperatures of the output transistors themselves are not monitored. Do not use the TSD function as a prevention function against critical damage to the output transistors.

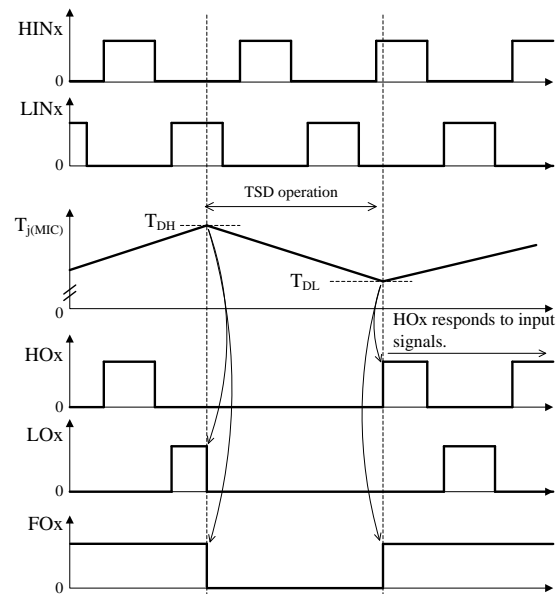


Figure 12-18. TSD operational waveforms

### 13. Design Notes

This section also employs the terminal notation system for pin names, described in the beginning of the previous section.

#### 13.1. PCB Pattern Layout

Figure 13-1 shows a schematic diagram of a motor driver circuit. The motor driver circuit consists of current paths carrying high frequencies and high voltages, which also bring about negative influences on IC operation, noise interference, and power dissipation.

Therefore, PCB trace layouts and component placements play an important role in circuit designing.

Current loops which carry high frequencies and high voltages should be as small and wide as you can, in order to maintain a low-impedance state.

In addition, ground traces should be as wide and short as possible so that radiated EMI levels can be reduced.

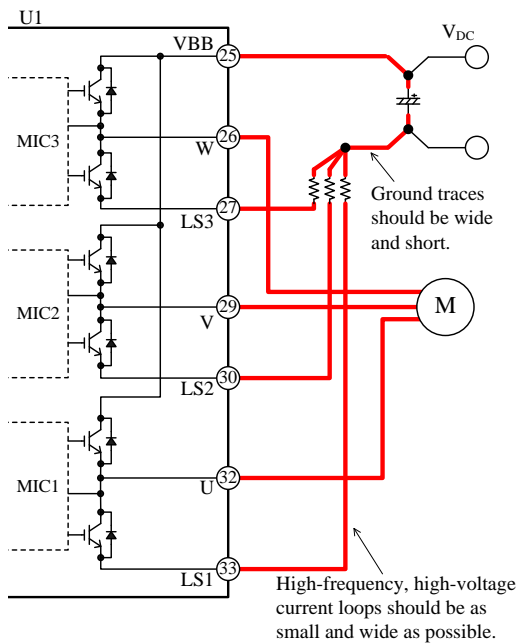


Figure 13-1. High-frequency, high-voltage current paths

#### 13.2. Heatsink Mounting Considerations

This section provides the guidelines for mounting a heatsink, as follows:

- It is recommended to use a pair of a metric screw of M3 and a plain washer of 7 mm ( $\phi$ ). Use a torque screwdriver to tighten the screws. Tighten the two screws firstly up to about 30% of the maximum screw torque; then finally up to 100% of the prescribed maximum screw torque. Perform

appropriate tightening within the range of screw torque defined in Section 4.

- When mounting a heatsink, it is recommended to use silicone greases. If a thermally-conductive sheet or an electrically insulating sheet is used, package cracks may be occurred due to creases at screw tightening. Therefore, thorough evaluations should be conducted before using these materials.
- When applying a silicon grease, there must be no foreign substances between the IC and a heatsink. Extreme care should be taken not to apply a silicon grease onto any device pins as much as possible. The following requirements must be met for proper grease application:
  - Grease thickness: 100  $\mu$ m
  - Heatsink flatness:  $\pm 100 \mu$ m
  - When applying a silicon grease to a heatsink, it should be applied within the area indicated in Figure 13-2, below.

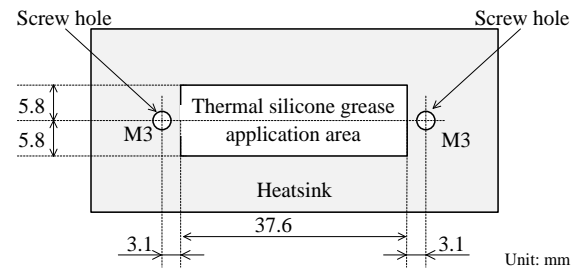


Figure 13-2. Recommended application area for thermal silicone grease

#### 13.3. IC Characteristics Measurement Considerations

When measuring the breakdown voltage and/or leakage current of the transistors incorporated in the IC, the gate and emitter of each transistor should have the same potential.

Moreover, care should be taken because the collectors are all internally connected to the VBB pin.

The output (U, V, and W) pins are connected to the emitters of the corresponding high-side transistors; and the LSx pins are connected to the emitters of the low-side transistors. The gates of the high-side transistors are pulled down to the output (U, V, W) pins; similarly, the gates of the low-side transistors are pulled down to the COMx pins.

Note that the output, LS, and COMx pins must be connected appropriately before measuring breakdown voltage and/or leak current. Otherwise the switching transistors may result in permanent damage.

The figures below are the schematic circuit diagrams of a typical measurement circuit for breakdown voltage: Figure 13-3 shows the high-side transistor ( $Q_{1H}$ ) in U

phase, and Figure 13-4 shows the low-side transistor ( $Q_{1L}$ ) in U phase. And all the pins that are not represented in these figures are open.

Before conducting a measurement, be sure to isolate the ground of a measurement phase from those of other two phases. Then, in each of the two separated phases, connect the LSx and COMx pins each other at the same potential, and leave them unused and floated.

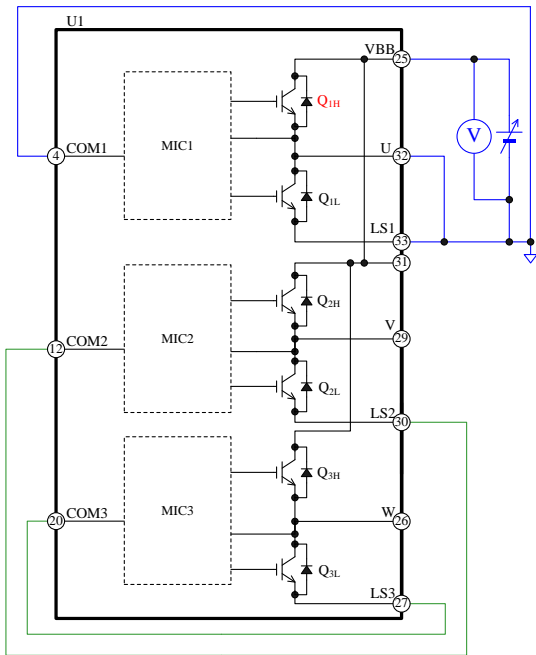


Figure 13-3. Typical measurement circuit of high-side transistor ( $Q_{1H}$ ) in U phase

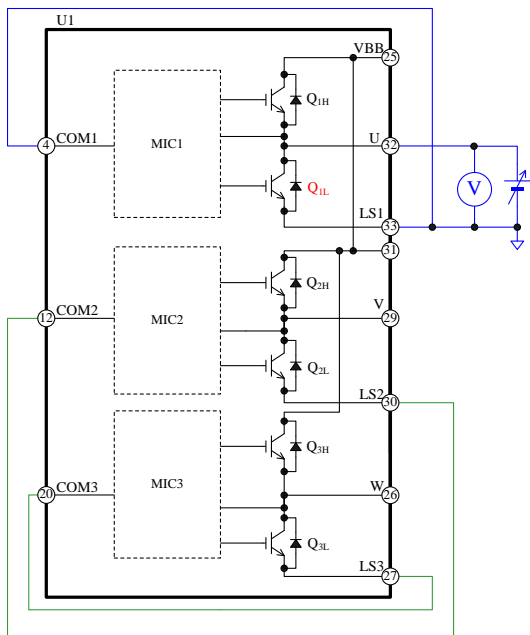


Figure 13-4. Typical measurement circuit of low-side transistor ( $Q_{1L}$ ) in U phase

## 14. Calculating Power Losses and Estimating Junction Temperatures

This section describes the procedures to: calculate power losses in a switching transistor; and estimate junction temperatures. Note that the following descriptions are applicable to the SCM1200MF series, which is controlled by a three-phase sine-wave PWM driving strategy.

The total power losses in an IGBT can be obtained by taking the sum of steady-state loss,  $P_{ON}$ , and switching loss,  $P_{SW}$ .

The following subsections contain the mathematical procedures to calculate power losses in an IGBT and its junction temperature.

### 14.1. IGBT Steady-State Loss, $P_{ON}$

The steady-state loss in an IGBT can be computed by using the  $V_{CE(SAT)}$  vs.  $I_C$  curves, shown in Section 15.3.1. As shown in Figure 14-1, the following linear approximate equation can be obtained from the curves:  $V_{CE(SAT)} = \alpha \times I_C + \beta$ . The slope and intercept of the linear approximate equation are used in Formula (4).

Table 14-1 lists the reference slopes and intercepts of the linear approximate equation at a half of output current, 0 to  $0.5 \times I_O$ .

The values calculated with the linear approximation greatly differ at the point where  $I_C$  is near zero. But in dissipation calculation, the difference is regarded as an error tolerance. Hence, the equation for the steady-state loss,  $P_{ON}$ , is:

$$\begin{aligned}
 P_{ON} &= \frac{1}{2\pi} \int_0^\pi V_{CE(SAT)}(\varphi) \times I_C(\varphi) \times DT \times d\varphi \\
 &= \frac{1}{2} \alpha \left( \frac{1}{2} + \frac{4}{3\pi} M \times \cos \theta \right) I_M^2 \\
 &\quad + \frac{\sqrt{2}}{\pi} \beta \left( \frac{1}{2} + \frac{\pi}{8} M \times \cos \theta \right) I_M. \quad (4)
 \end{aligned}$$

Where:

$V_{CE(SAT)}$  is the collector-to-emitter saturation voltage of the IGBT in V,

$I_C$  is the collector current of the IGBT in A, and

$DT$  is the on-time duty cycle.

$$DT = \frac{1 + M \times \sin(\varphi + \theta)}{2},$$

$M$  is the modulation index (0 to 1),

$\cos \theta$  is the motor power factor (0 to 1),

$I_M$  is the effective motor current in A,

$\alpha$  is the slope of the linear approximate equation in the  $V_{CE(SAT)}$  vs.  $I_C$  curve, and



## SCM1200MF Series

$\beta$  is the intercept of the linear approximate equation in the  $V_{CE(SAT)}$  vs.  $I_C$  curve.

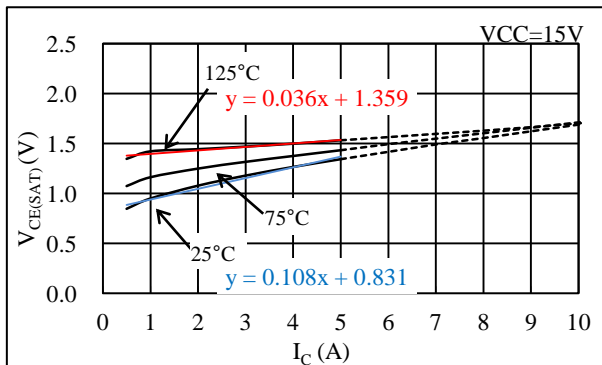


Figure 14-1. Linear approximate equation of  $V_{CE(SAT)}$  vs.  $I_C$  curve

Table 14-1. Reference slopes ( $\alpha$ ) and intercepts ( $\beta$ ) of linear approximate equation at 0 to  $0.5 \times I_O$  in  $V_{CE(SAT)}$ - $I_C$  curve

Part Number	25°C		125°C	
	$\alpha$	$\beta$	$\alpha$	$\beta$
SCM1261MF	0.108	0.831	0.036	1.359
SCM1242MF	0.093	0.694	0.060	0.974
SCM1263MF				
SCM1243MF				
SCM1265MF	0.043	0.907	0.063	0.702
SCM1245MF				
SCM1256MF	0.046	0.739	0.031	0.991
SCM1246MF				

### 14.2. GBT Switching Loss, $P_{sw}$

The switching loss in an IGBT can be calculated by Formula (5), letting  $I_M$  be the effective current value of a motor:

$$P_{sw} = \frac{\sqrt{2}}{\pi} \times f_c \times (E_{ON}(I_M) + E_{OFF}(I_M)) \times \frac{V_{DC}}{300}, \quad (5)$$

where:

$f_c$  is the PWM carrier frequency in Hz,

$V_{DC}$  is the main power supply voltage in V (i.e., the VBB pin input voltage),

$E_{ON}(I_M)$  is the turn-on loss at  $I_M$  in J, and

$E_{OFF}(I_M)$  is the turn-off loss at  $I_M$  in J.

For  $E_{ON}(I_M)$  and  $E_{OFF}(I_M)$ , see also Section 15.3.2.

### 14.3. Estimating Junction Temperature of IGBT

The junction temperature of an IGBT,  $T_j$ , can be estimated with Formula (6), below:

$$T_j = R_{(j-c)Q} \times (P_{ON} + P_{SW}) + T_c. \quad (6)$$

Where

$R_{(j-c)Q}$  is the junction-to-case thermal resistance of the IGBT product ( $^{\circ}C/W$ ), and

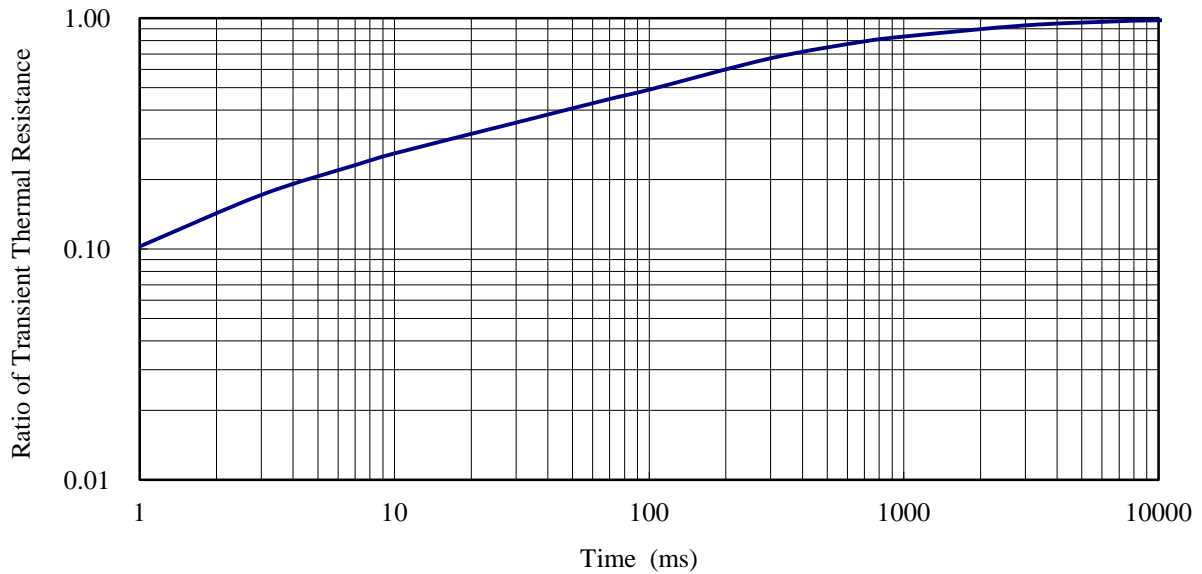
$T_c$  is the case temperature ( $^{\circ}C$ ), measured at the point shown in Figure 3-1.

15. Typical Characteristics

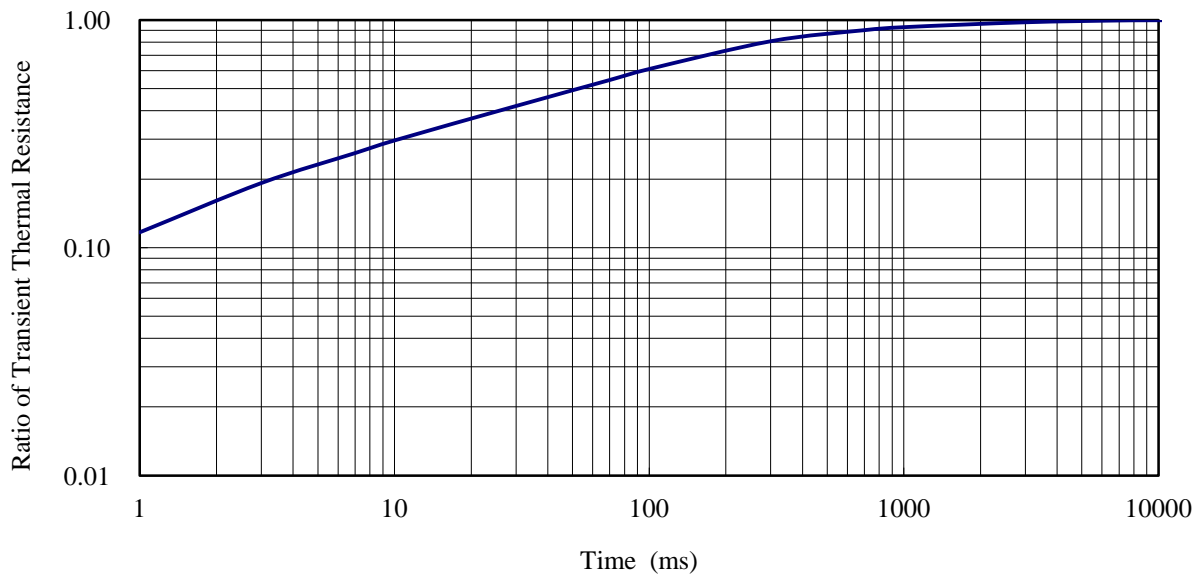
15.1. Transient Thermal Resistance Curves

The following graphs represent transient thermal resistance (the ratios of transient thermal resistance), with steady-state thermal resistance = 1.

15.1.1. SCM1261MF

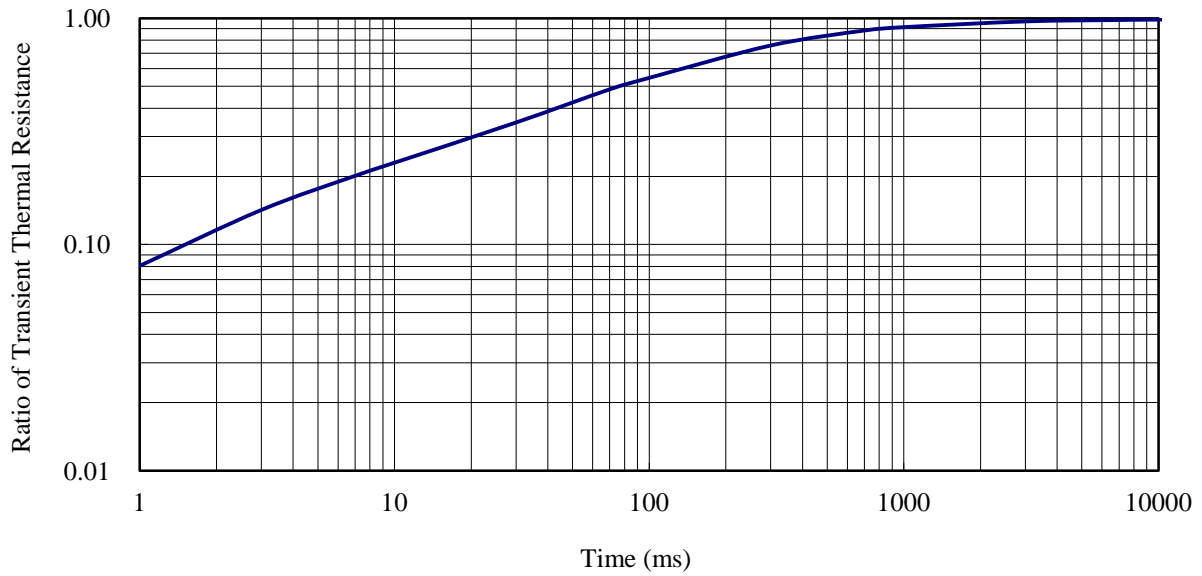


15.1.2. SCM1242MF, SCM1263MF, SCM1243MF

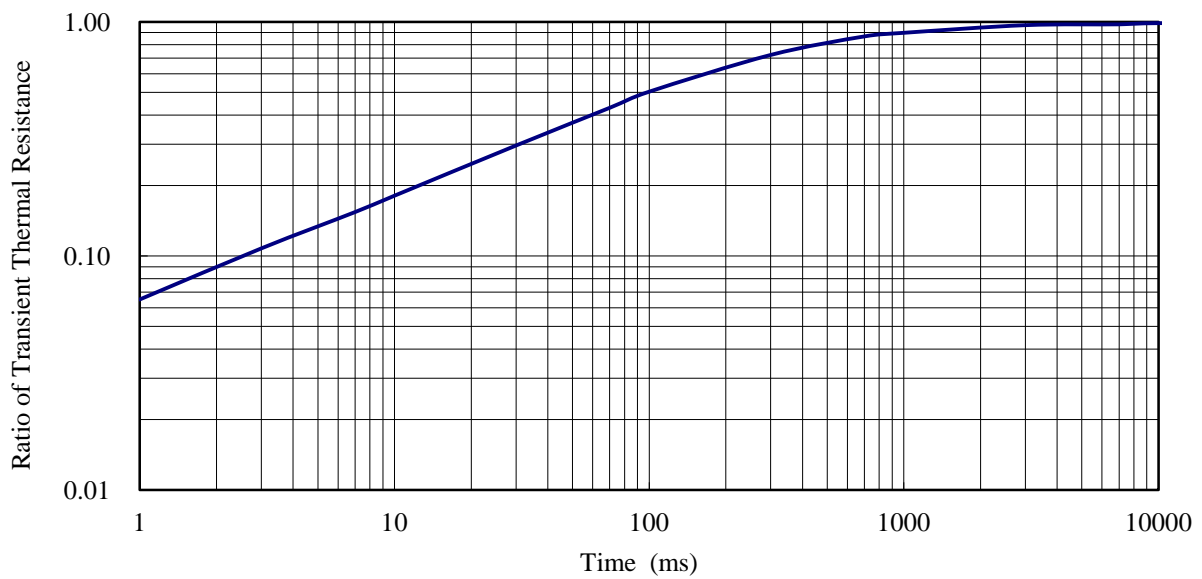


## SCM1200MF Series

### 15.1.3. SCM1265MF, SCM1245MF



### 15.1.4. SCM1246MF, SCM1256MF



15.2. Performance Curves of Control Parts

Figure 15-1 to Figure 15-26 provide performance curves of the control parts integrated in the SCM1200MF series, including variety-dependent characteristics and thermal characteristics. The term  $T_j$  represents the junction temperature of the control parts.

Table 15-1. Typical characteristics of control parts

Figure Number	Figure Caption
Figure 15-1	Logic Supply Current in three-phase operating, $I_{CC}$ vs. $T_j$
Figure 15-2	Logic Supply Current in three-phase operating, $I_{CC}$ vs. $V_{CCx}$ pin voltage, $V_{CC}$
Figure 15-3	Logic Supply Current in single-phase operating ( $HIN_x = 0$ V), $I_{BS}$ vs. $T_j$
Figure 15-4	Logic Supply Current in single-phase operating ( $HIN_x = 5$ V), $I_{BS}$ vs. $T_j$
Figure 15-5	Logic Supply Current in single-phase operating ( $HIN_x = 0$ V), $I_{BS}$ vs. $V_{Bx}$ pin voltage, $V_B$
Figure 15-6	Input Current at High Level ( $HIN_x$ or $LIN_x$ ) vs. $T_j$
Figure 15-7	High Level Input Signal Threshold Voltage, $V_{IH}$ vs. $T_j$
Figure 15-8	Low Level Input Signal Threshold Voltage, $V_{IL}$ vs. $T_j$
Figure 15-9	High-side turn-on propagation delay vs. $T_j$ (from $HIN_x$ to $HO_x$ )
Figure 15-10	High-side turn-off propagation delay vs. $T_j$ (from $HIN_x$ to $HO_x$ )
Figure 15-11	Low-side turn-on propagation delay vs. $T_j$ (from $LIN_x$ to $LO_x$ )
Figure 15-12	Low-side turn-off propagation delay vs. $T_j$ (from $LIN_x$ to $LO_x$ )
Figure 15-13	Minimum transmittable pulse width for high-side switching, $t_{HIN(MIN)}$ vs. $T_j$
Figure 15-14	Minimum transmittable pulse width for low-side switching, $t_{LIN(MIN)}$ vs. $T_j$
Figure 15-15	Typical output pulse widths, $t_{HO}$ , $t_{LO}$ vs. input pulse widths, $t_{HIN}$ , $t_{LIN}$
Figure 15-16	FOx Pin Voltage in Normal Operation, $V_{FOL}$ vs. $T_j$
Figure 15-17	Logic Operation Start Voltage, $V_{BS(ON)}$ vs. $T_j$
Figure 15-18	Logic Operation Stop Voltage, $V_{BS(OFF)}$ vs. $T_j$
Figure 15-19	Logic Operation Start Voltage, $V_{CC(ON)}$ vs. $T_j$
Figure 15-20	Logic Operation Stop Voltage, $V_{CC(OFF)}$ vs. $T_j$
Figure 15-21	UVLO_VB filtering time vs. $T_j$
Figure 15-22	UVLO_VCC filtering time vs. $T_j$
Figure 15-23	Overcurrent Protection Threshold Voltage, $V_{TRIP}$ vs. $T_j$
Figure 15-24	Blanking Time, $t_{BK}$ + propagation delay, $t_D$ vs. $T_j$
Figure 15-25	Overcurrent Protection Hold Time, $t_P$ vs. $T_j$
Figure 15-26	Filtering time of Simultaneous On-state Prevention Function vs. $T_j$

# SCM1200MF Series

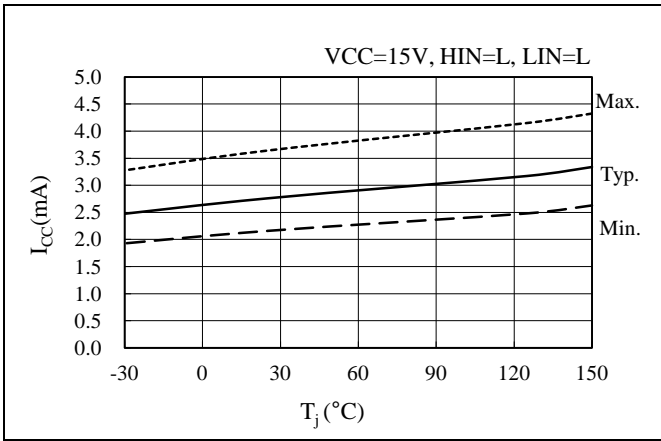


Figure 15-1. Logic Supply Current in three-phase operating,  $I_{CC}$  vs.  $T_j$

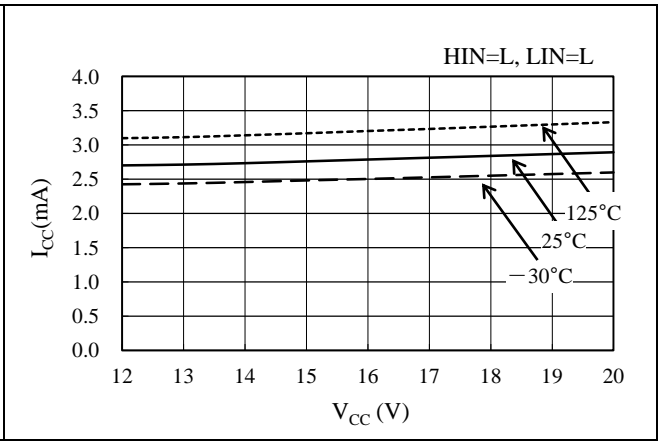


Figure 15-2. Logic Supply Current in three-phase operating,  $I_{CC}$  vs.  $V_{CCx}$  pin voltage,  $V_{CC}$

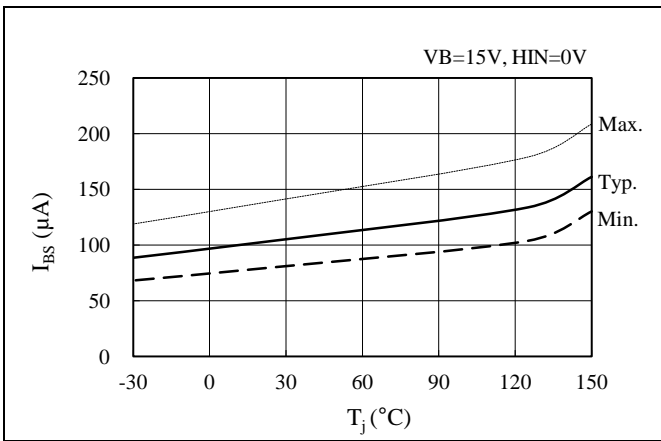


Figure 15-3. Logic Supply Current in single-phase operating ( $HIN_x = 0\text{ V}$ ),  $I_{BS}$  vs.  $T_j$

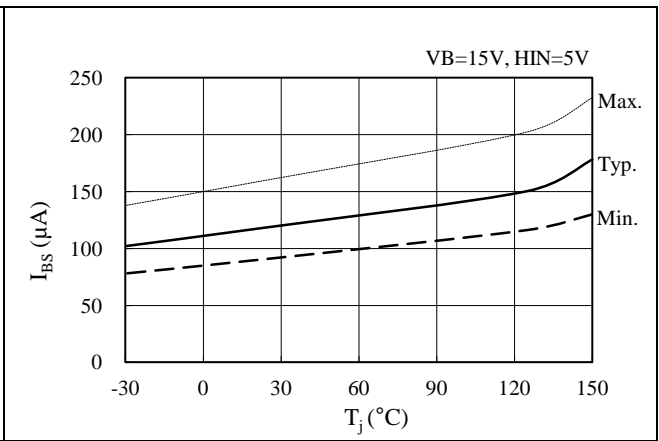


Figure 15-4. Logic Supply Current in single-phase operating ( $HIN_x = 5\text{ V}$ ),  $I_{BS}$  vs.  $T_j$

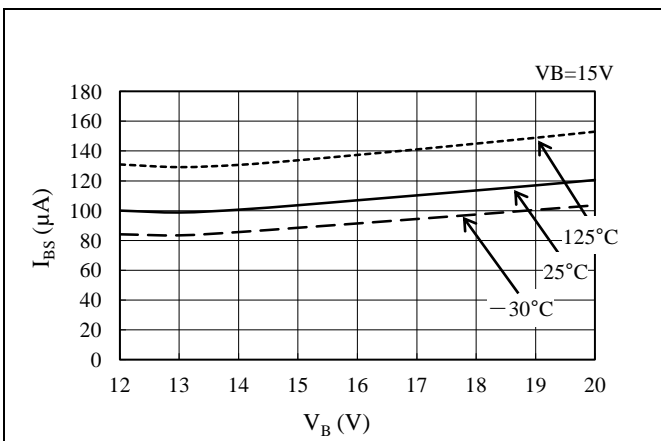


Figure 15-5. Logic Supply Current in single-phase operating ( $HIN_x = 0\text{ V}$ ),  $I_{BS}$  vs.  $V_{Bx}$  pin voltage,  $V_B$

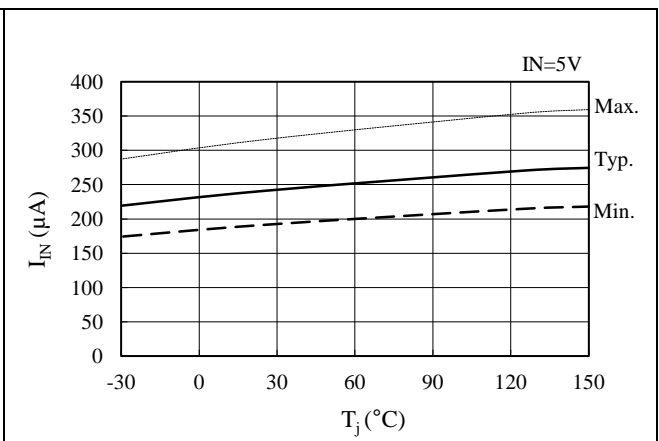


Figure 15-6. Input Current at High Level ( $HIN_x$  or  $LIN_x$ ) vs.  $T_j$

# SCM1200MF Series

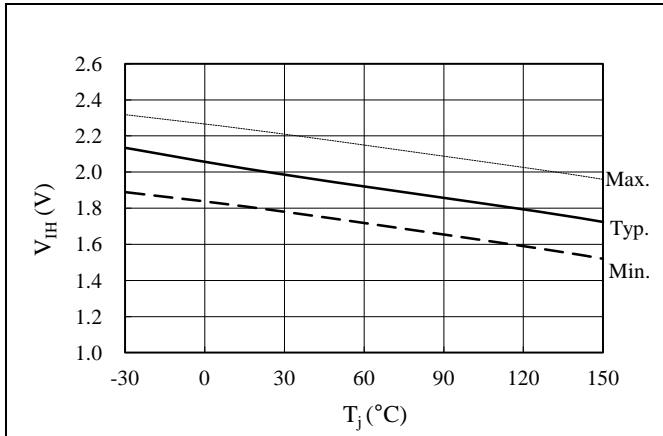


Figure 15-7. High Level Input Signal Threshold Voltage,  $V_{IH}$  vs.  $T_j$

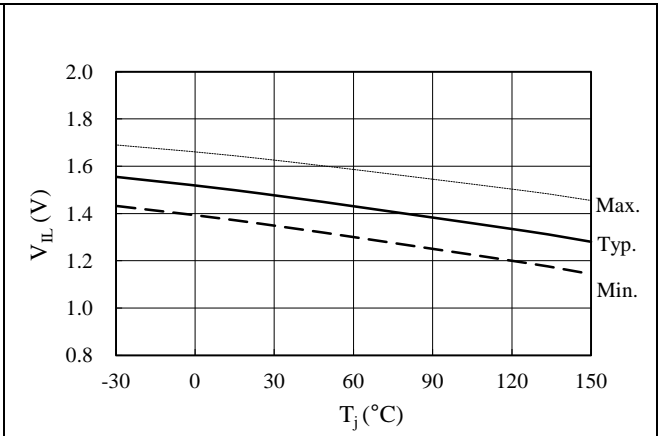


Figure 15-8. Low Level Input Signal Threshold Voltage,  $V_{IL}$  vs.  $T_j$

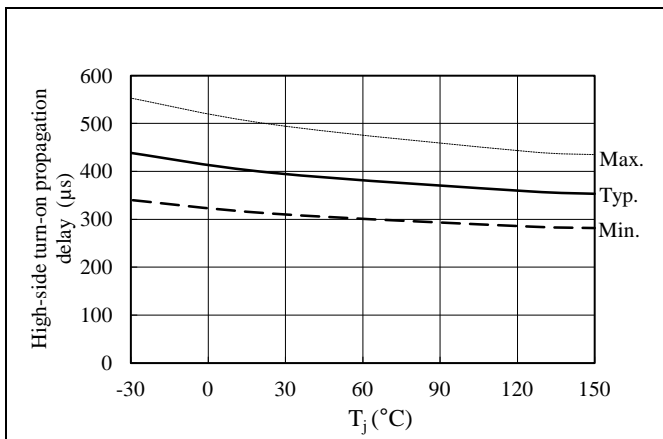


Figure 15-9. High-side turn-on propagation delay vs.  $T_j$  (from  $HIN_x$  to  $HO_x$ )

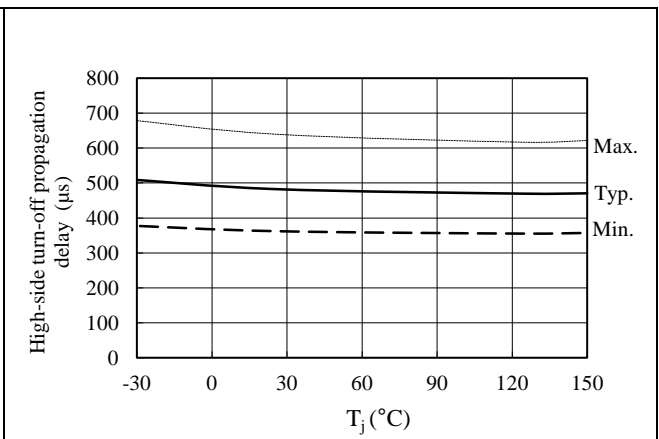


Figure 15-10. High-side turn-off propagation delay vs.  $T_j$  (from  $HIN_x$  to  $HO_x$ )

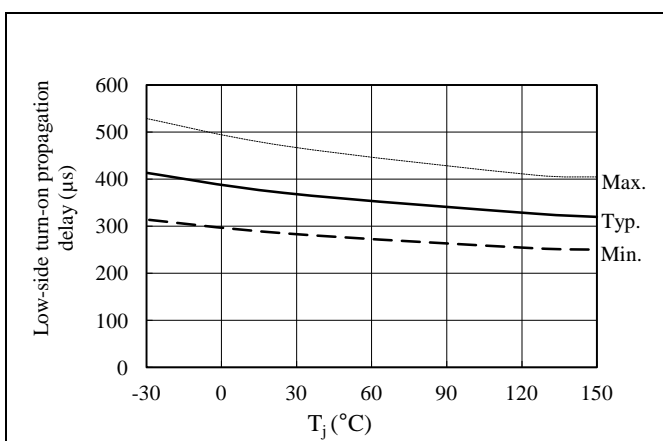


Figure 15-11. Low-side turn-on propagation delay vs.  $T_j$  (from  $LIN_x$  to  $LO_x$ )

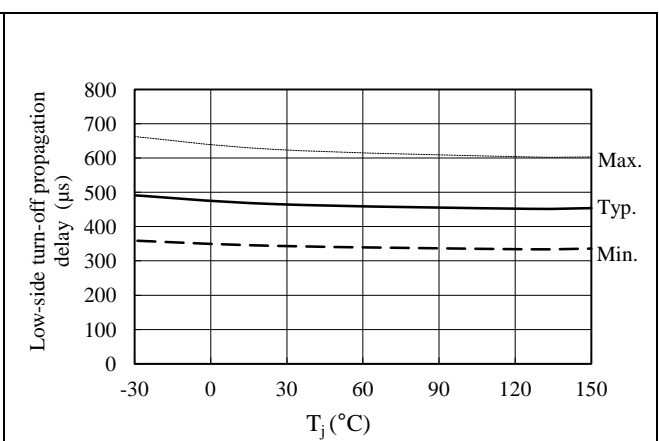


Figure 15-12. Low-side turn-off propagation delay vs.  $T_j$  (from  $LIN_x$  to  $LO_x$ )

# SCM1200MF Series

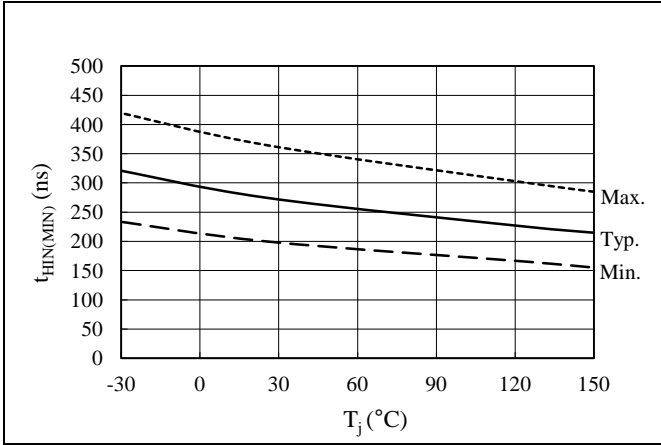


Figure 15-13. Minimum transmittable pulse width for high-side switching,  $t_{HIN(MIN)}$  vs.  $T_j$

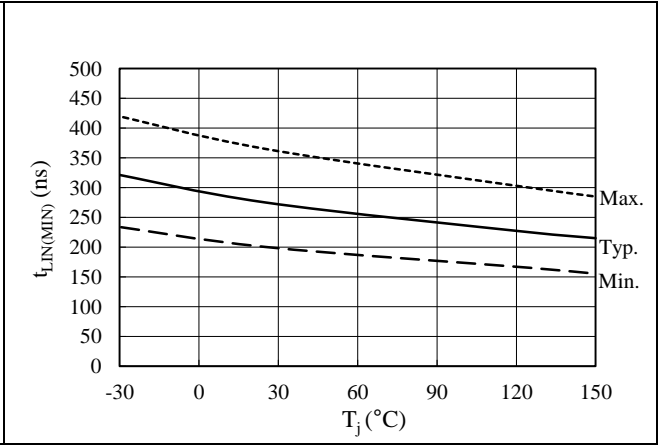


Figure 15-14. Minimum transmittable pulse width for low-side switching,  $t_{LIN(MIN)}$  vs.  $T_j$

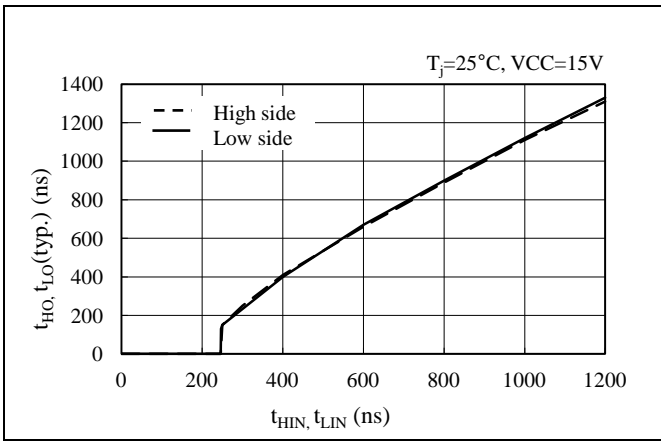


Figure 15-15. Typical output pulse widths,  $t_{HO}$ ,  $t_{LO}$  vs. input pulse widths,  $t_{HIN}$ ,  $t_{LIN}$

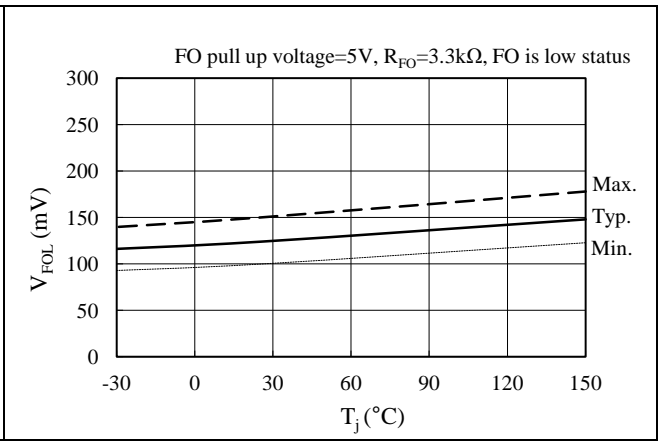


Figure 15-16. FOx Pin Voltage in Normal Operation,  $V_{FOL}$  vs.  $T_j$

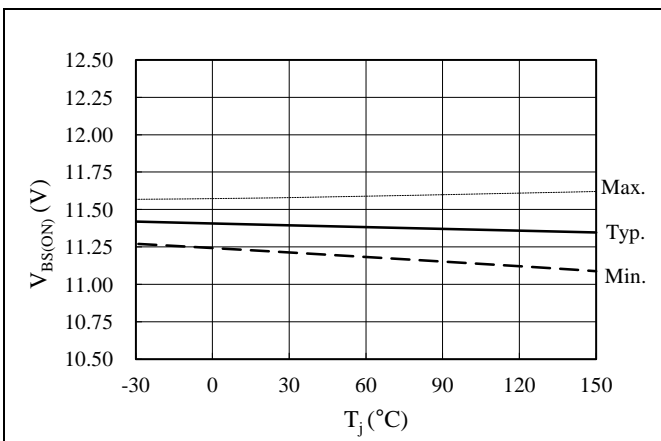


Figure 15-17. Logic Operation Start Voltage,  $V_{BS(ON)}$  vs.  $T_j$

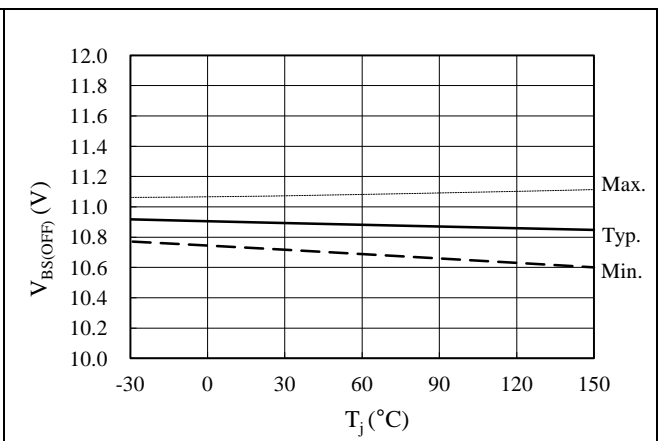


Figure 15-18. Logic Operation Stop Voltage,  $V_{BS(OFF)}$  vs.  $T_j$

# SCM1200MF Series

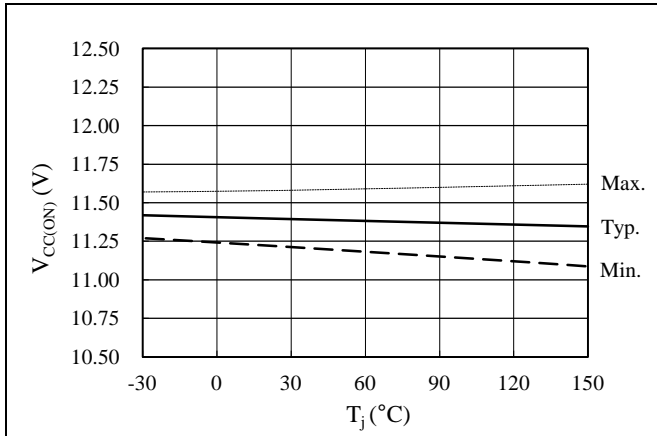


Figure 15-19. Logic Operation Start Voltage,  $V_{CC(ON)}$  vs.  $T_j$

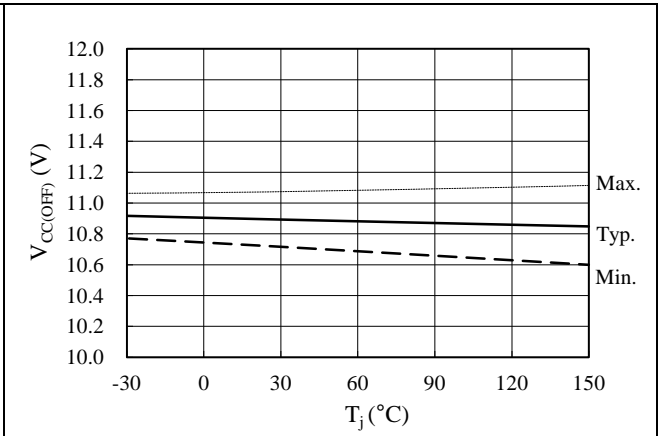


Figure 15-20. Logic Operation Stop Voltage,  $V_{CC(OFF)}$  vs.  $T_j$

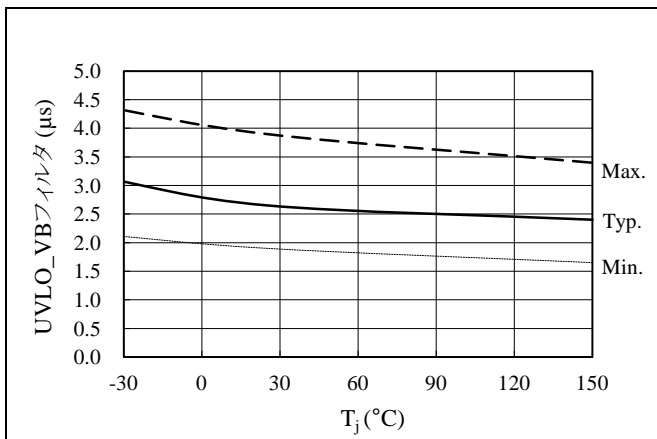


Figure 15-21. UVLO\_VB filtering time vs.  $T_j$

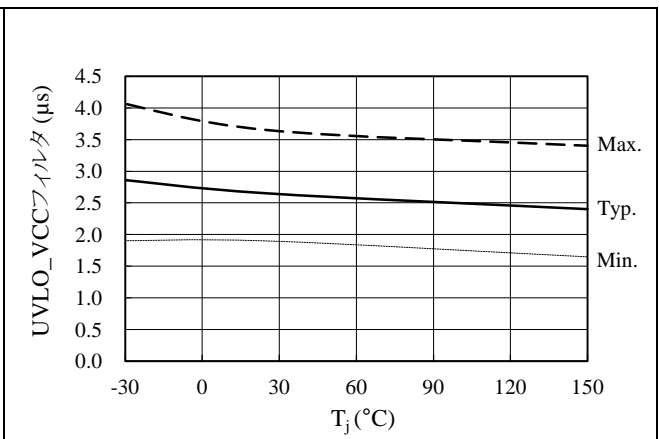


Figure 15-22. UVLO\_VCC filtering time vs.  $T_j$

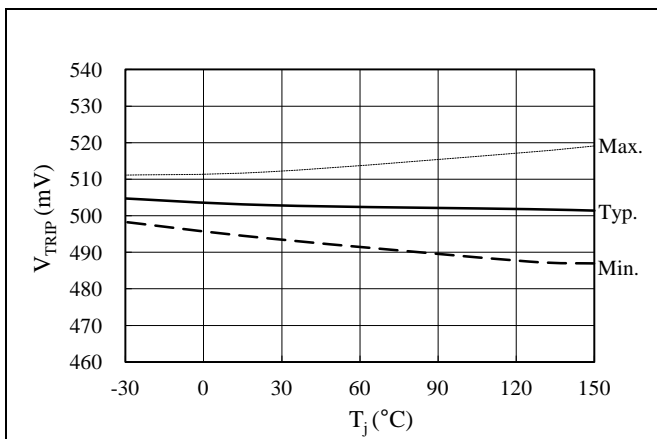


Figure 15-23. Overcurrent Protection Threshold Voltage,  $V_{TRIP}$  vs.  $T_j$

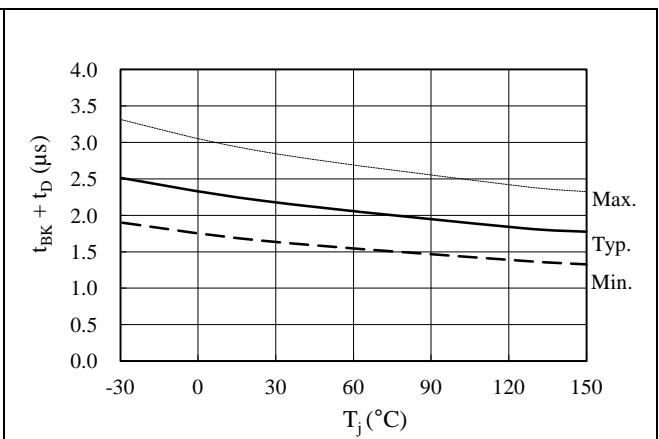


Figure 15-24. Blanking Time,  $t_{BK} + t_D$  vs.  $T_j$



## SCM1200MF Series

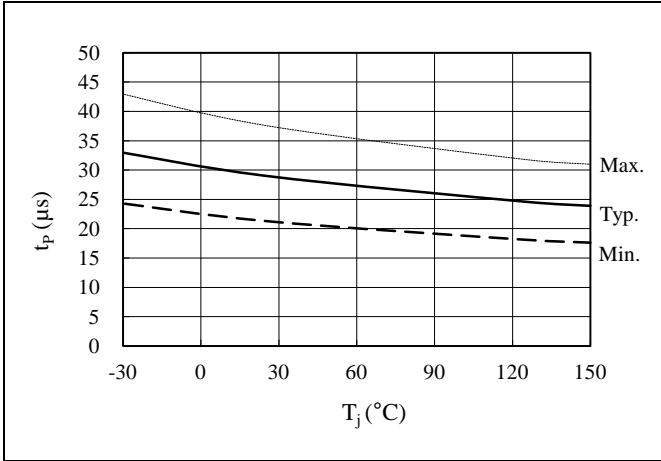


Figure 15-25. Overcurrent Protection Hold Time,  $t_p$  vs.  $T_j$

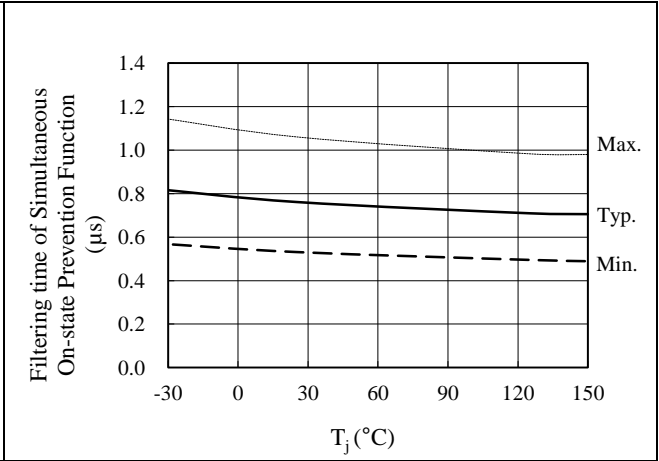


Figure 15-26. Filtering time of Simultaneous On-state Prevention Function vs.  $T_j$

### 15.3. Performance Curves of Output Parts

#### 15.3.1. Output Transistor Performance Curves

##### 15.3.1.1. SCM1261M

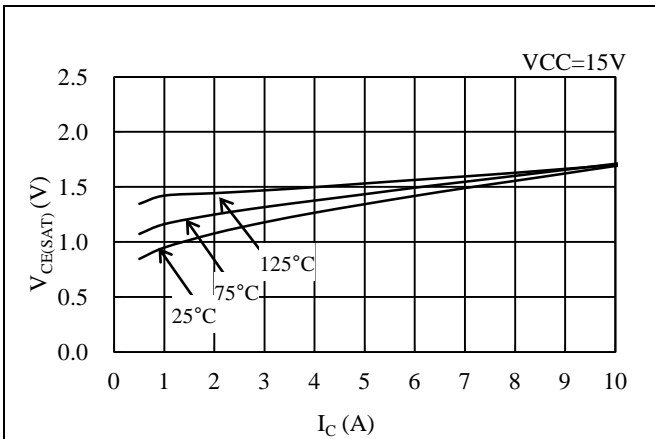


Figure 15-27. IGBT  $V_{CE(SAT)}$  vs.  $I_C$

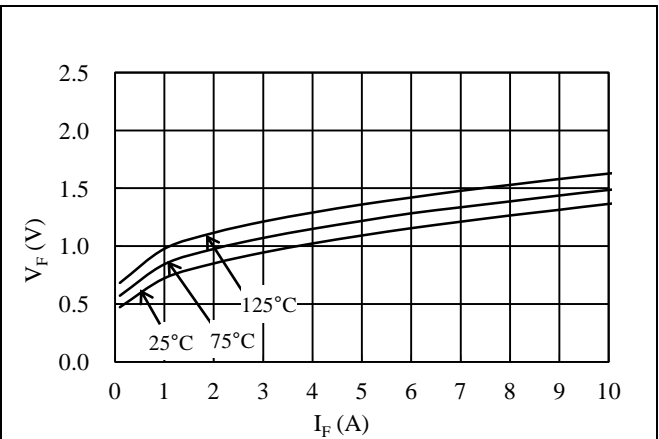


Figure 15-28. Freewheeling diode  $V_F$  vs.  $I_F$

## SCM1200MF Series

### 15.3.1.2. SCM1242MF, SCM1263MF, SCM1243MF

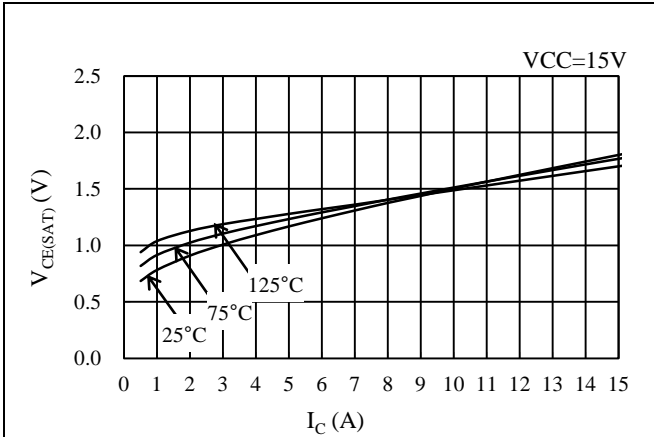


Figure 15-29. IGBT  $V_{CE(SAT)}$  vs.  $I_C$

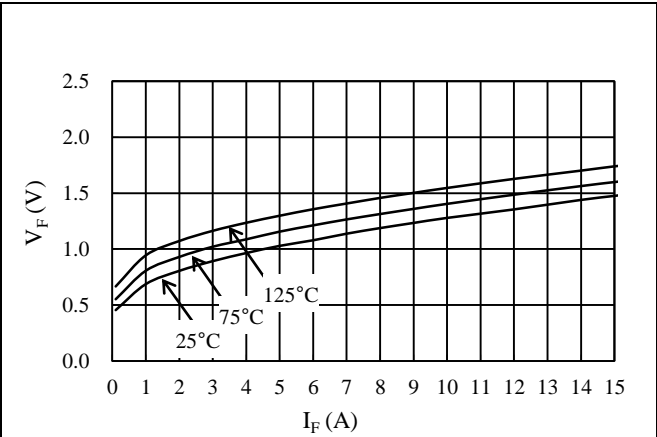


Figure 15-30. Freewheeling diode  $V_F$  vs.  $I_F$

### 15.3.1.3. SCM1265MF, SCM1245MF

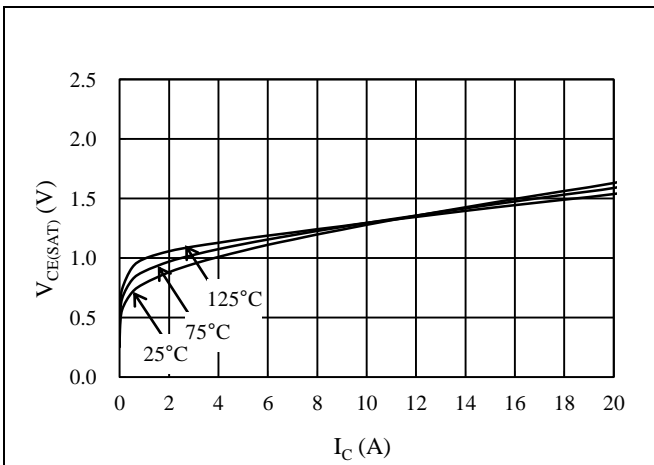


Figure 15-31. IGBT  $V_{CE(SAT)}$  vs.  $I_C$

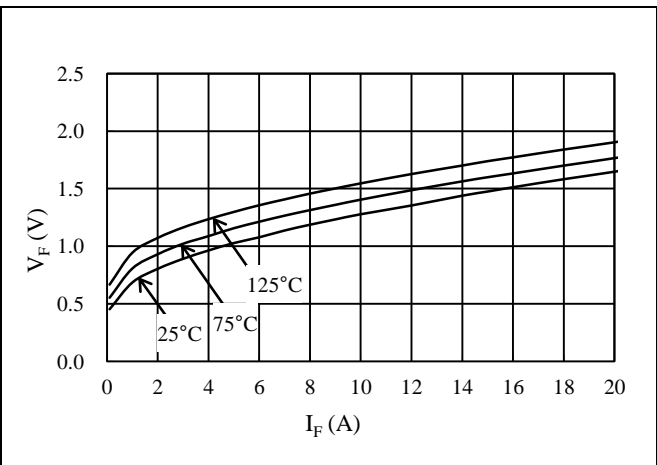


Figure 15-32. Freewheeling diode  $V_F$  vs.  $I_F$

### 15.3.1.4. SCM1256MF, SCM1246MF

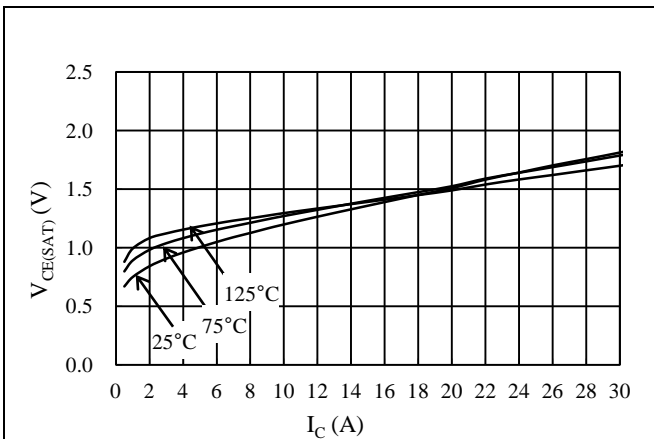


Figure 15-33. IGBT  $V_{CE(SAT)}$  vs.  $I_C$

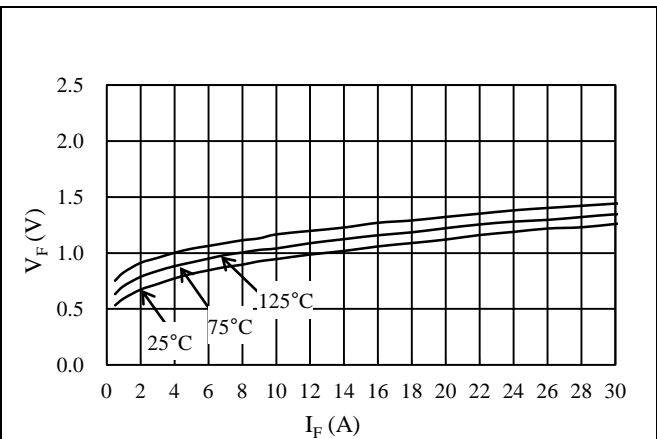


Figure 15-34. Freewheeling diode  $V_F$  vs.  $I_F$

# SCM1200MF Series

## 15.3.2. Switching Loss

Conditions:  $V_{BB} = 300\text{ V}$ , half-bridge circuit with inductance load.

### 15.3.2.1. SCM1261MF

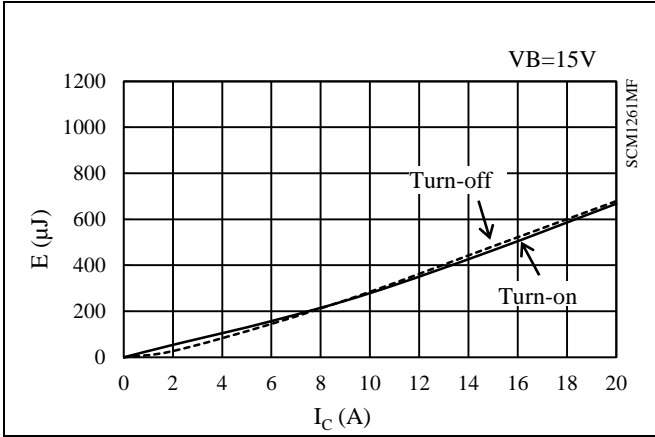


Figure 15-35. High-side switching loss ( $T_j = 25^\circ\text{C}$ )

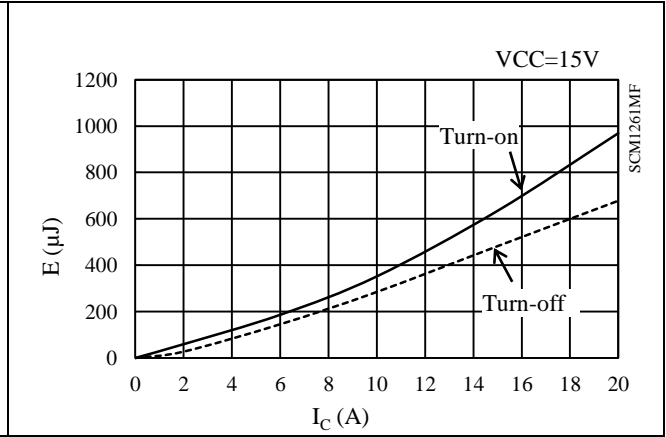


Figure 15-36. Low-side switching loss ( $T_j = 25^\circ\text{C}$ )

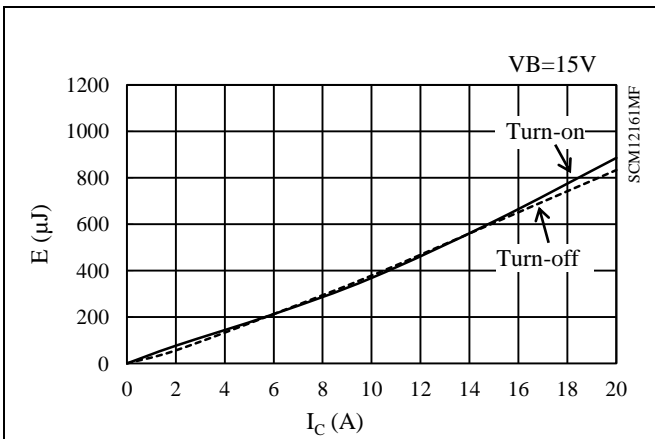


Figure 15-37. High-side switching loss ( $T_j = 125^\circ\text{C}$ )

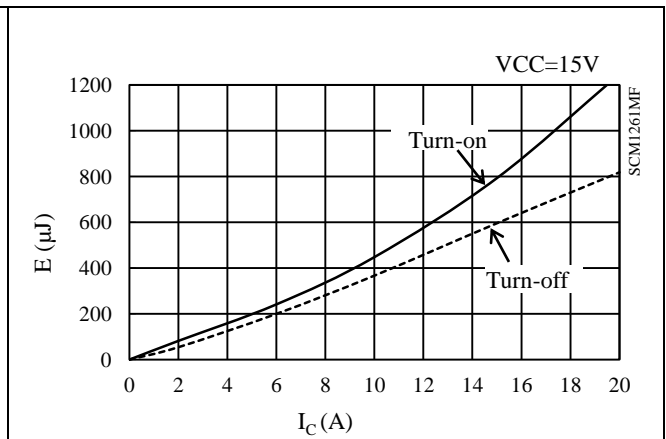


Figure 15-38. Low-side switching loss ( $T_j = 125^\circ\text{C}$ )

**SCM1200MF Series**

**15.3.2.2. SCM1242MF**

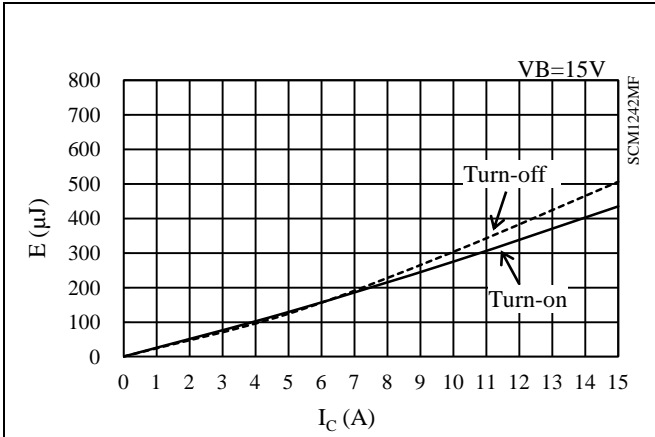


Figure 15-39 High-side switching loss ( $T_j = 25^\circ\text{C}$ )

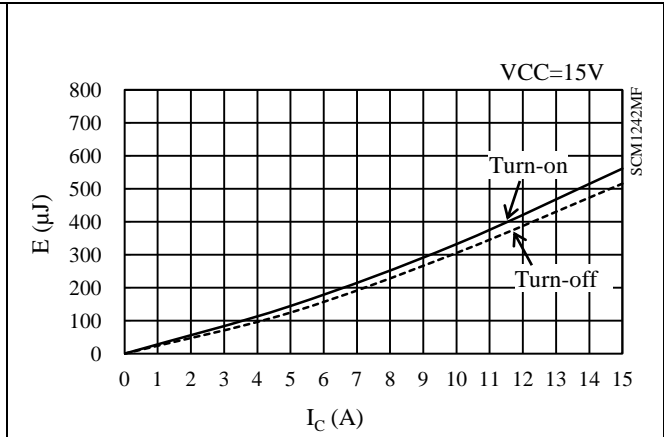


Figure 15-40. Low-side switching loss ( $T_j = 25^\circ\text{C}$ )

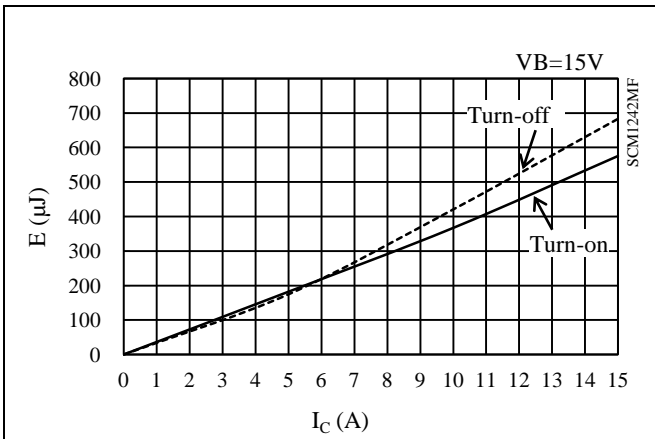


Figure 15-41. High-side switching loss ( $T_j = 125^\circ\text{C}$ )

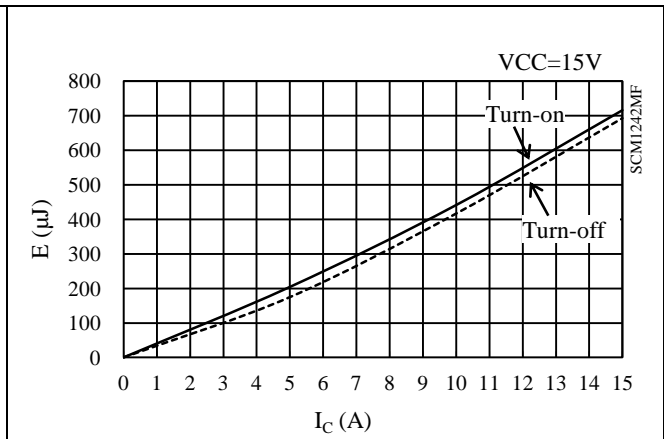


Figure 15-42. Low-side switching loss ( $T_j = 125^\circ\text{C}$ )

15.3.2.3. SCM1263MF

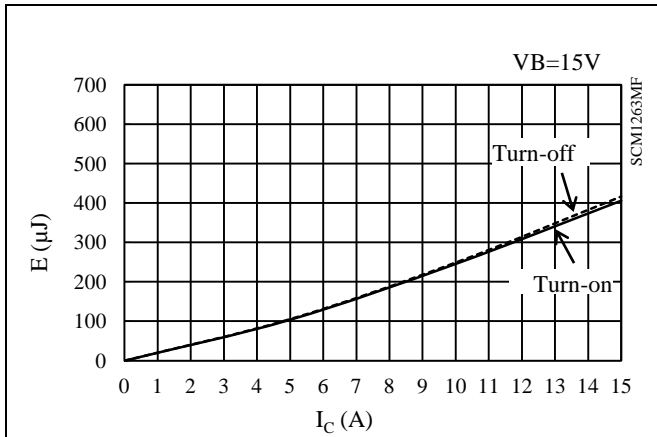


Figure 15-43 High-side switching loss ( $T_j = 25^\circ\text{C}$ )

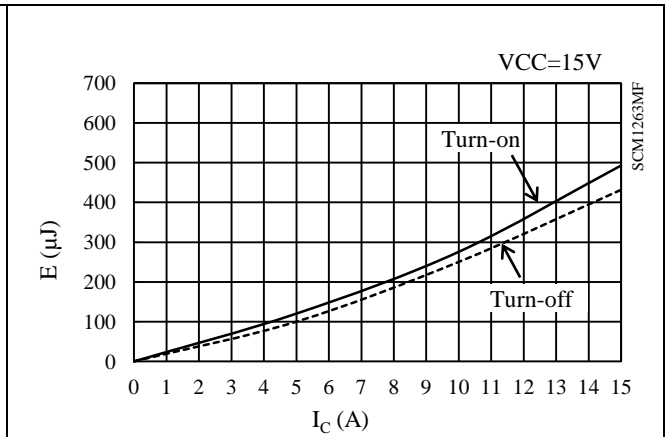


Figure 15-44. Low-side switching loss ( $T_j = 25^\circ\text{C}$ )

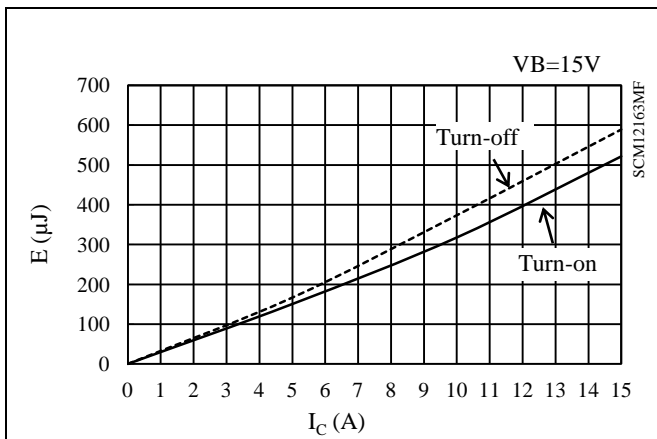


Figure 15-45. High-side switching loss ( $T_j = 125^\circ\text{C}$ )

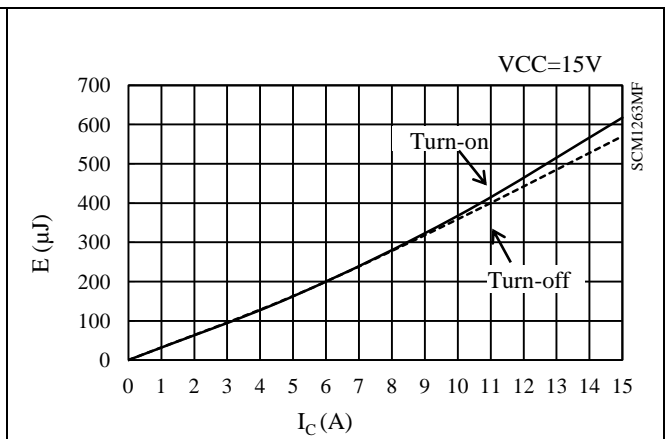


Figure 15-46. Low-side switching loss ( $T_j = 125^\circ\text{C}$ )

15.3.2.4. SCM1243MF

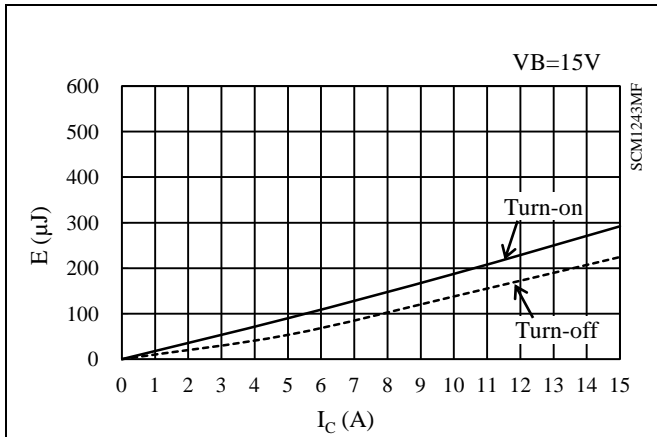


Figure 15-47 High-side switching loss ( $T_j = 25^\circ\text{C}$ )

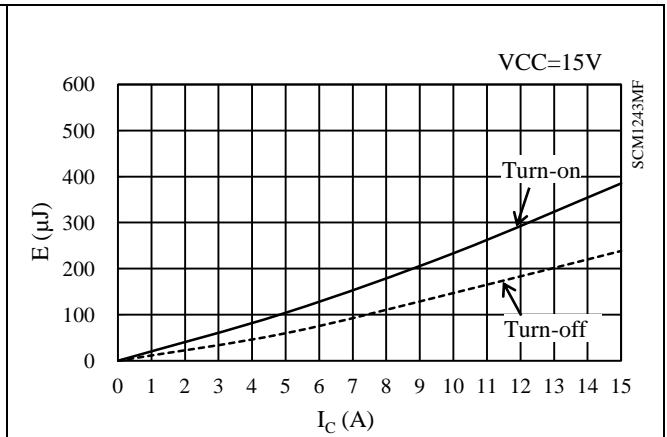


Figure 15-48. Low-side switching loss ( $T_j = 25^\circ\text{C}$ )

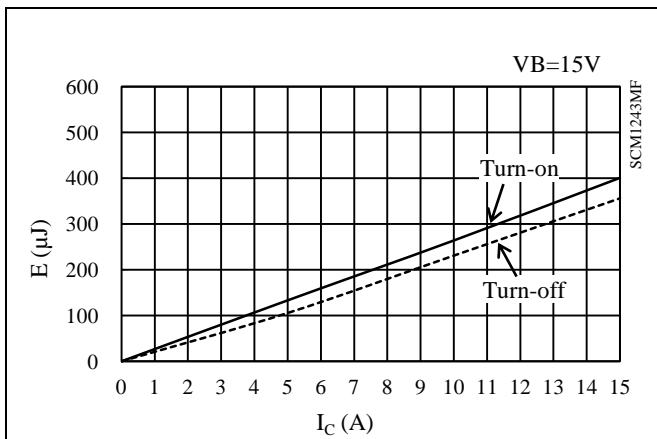


Figure 15-49. High-side switching loss ( $T_j = 125^\circ\text{C}$ )

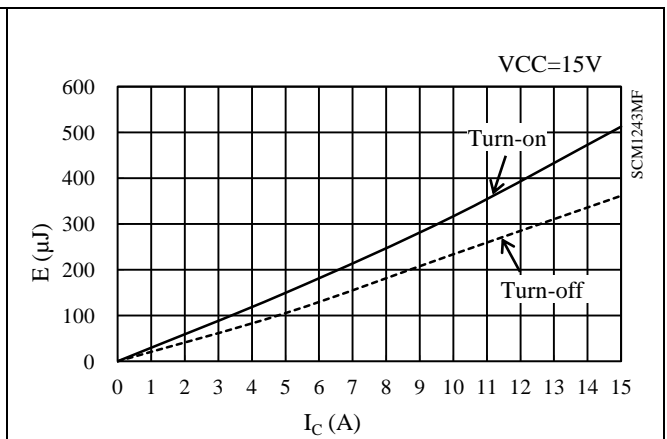


Figure 15-50. Low-side switching loss ( $T_j = 125^\circ\text{C}$ )

# SCM1200MF Series

## 15.3.2.5. SCM1265MF

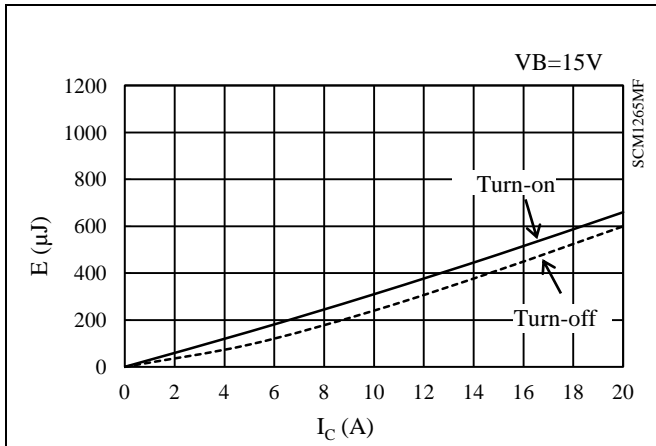


Figure 15-51 High-side switching loss ( $T_j = 25^\circ\text{C}$ )

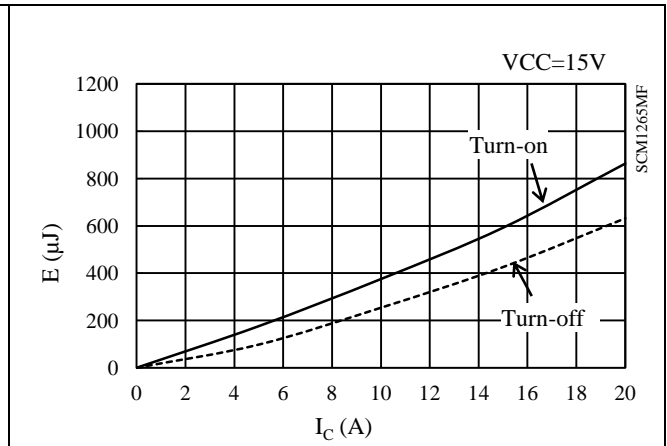


Figure 15-52. Low-side switching loss ( $T_j = 25^\circ\text{C}$ )

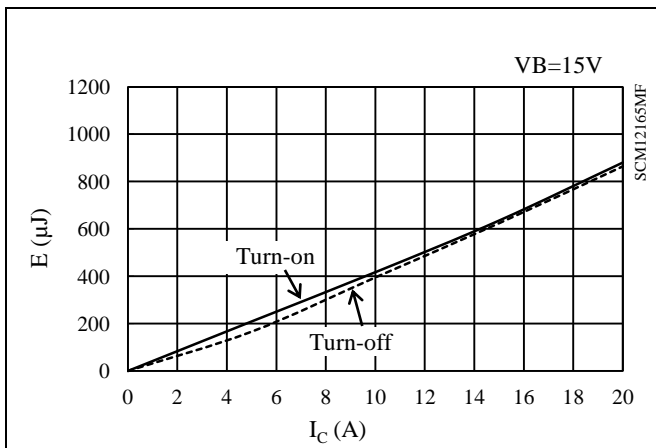


Figure 15-53. High-side switching loss ( $T_j = 125^\circ\text{C}$ )

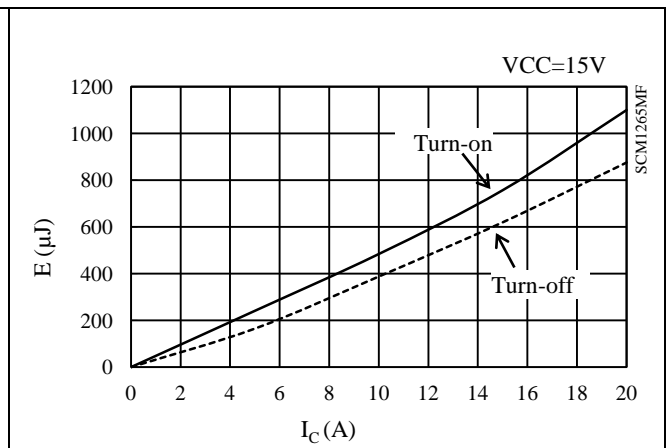


Figure 15-54. Low-side switching loss ( $T_j = 125^\circ\text{C}$ )

# SCM1200MF Series

## 15.3.2.6. SCM1245MF

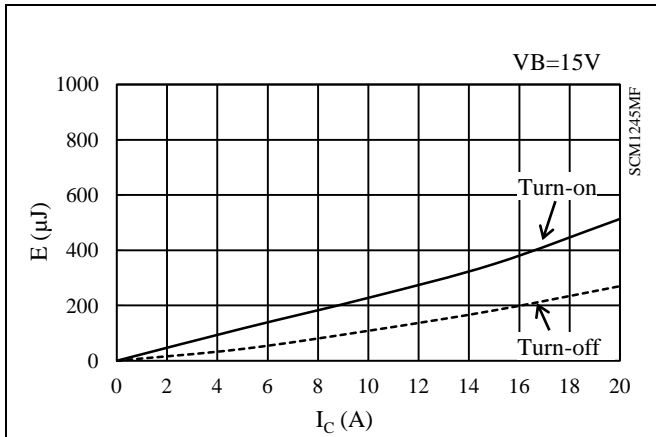


Figure 15-55 High-side switching loss ( $T_j = 25^\circ\text{C}$ )

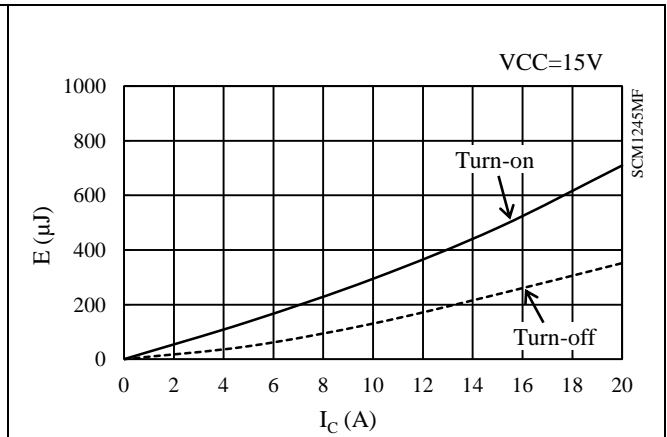


Figure 15-56 Low-side switching loss ( $T_j = 25^\circ\text{C}$ )

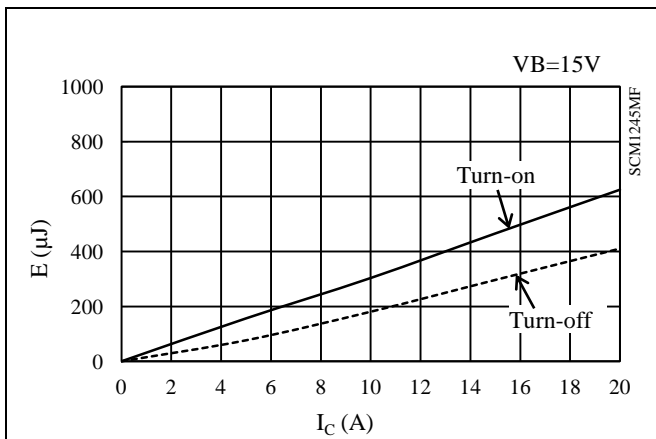


Figure 15-57 High-side switching loss ( $T_j = 125^\circ\text{C}$ )

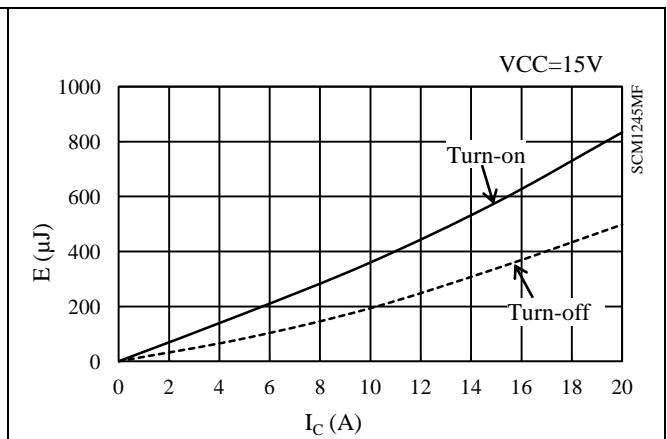


Figure 15-58 Low-side switching loss ( $T_j = 125^\circ\text{C}$ )



# SCM1200MF Series

## 15.3.2.7. SCM1256MF

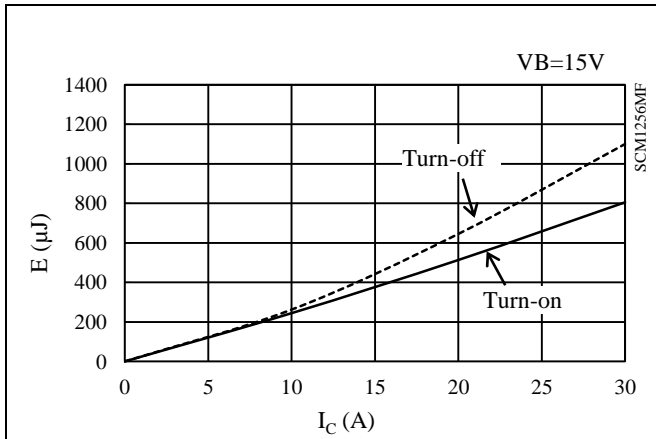


Figure 15-59 High-side switching loss ( $T_j = 25^\circ\text{C}$ )

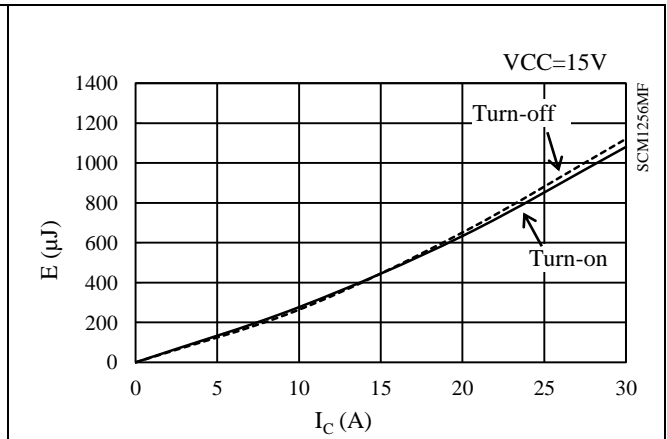


Figure 15-60. Low-side switching loss ( $T_j = 25^\circ\text{C}$ )

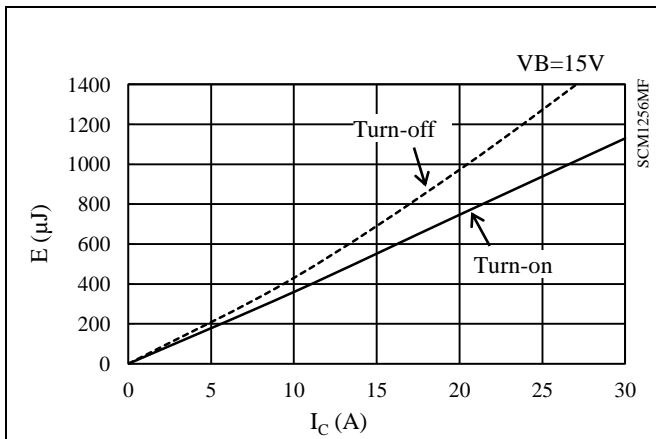


Figure 15-61. High-side switching loss ( $T_j = 125^\circ\text{C}$ )

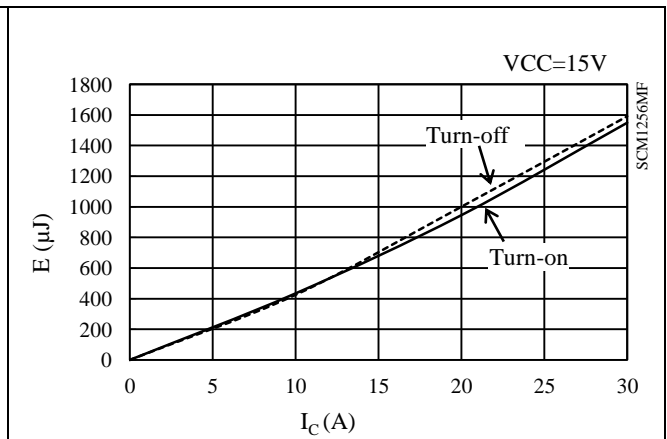


Figure 15-62. Low-side switching loss ( $T_j = 125^\circ\text{C}$ )

15.3.2.8. SCM1246MF

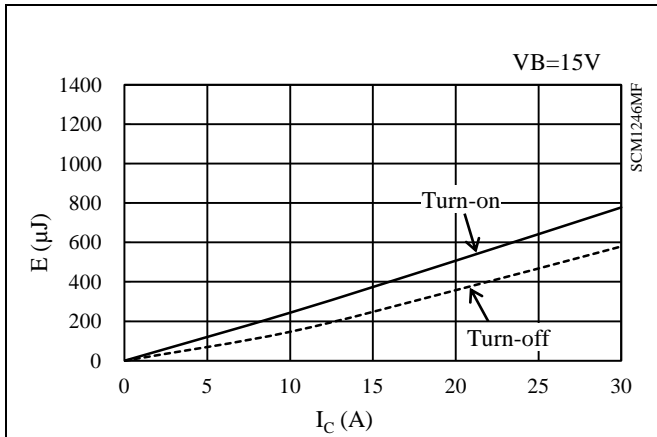


Figure 15-63 High-side switching loss (T<sub>j</sub> = 25°C)

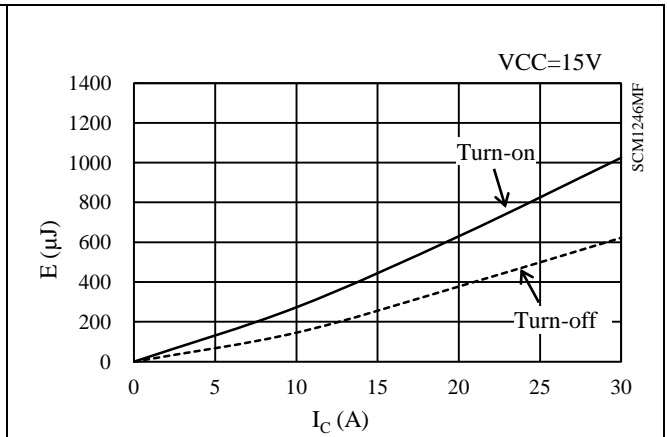


Figure 15-64. Low-side switching loss (T<sub>j</sub> = 25°C)

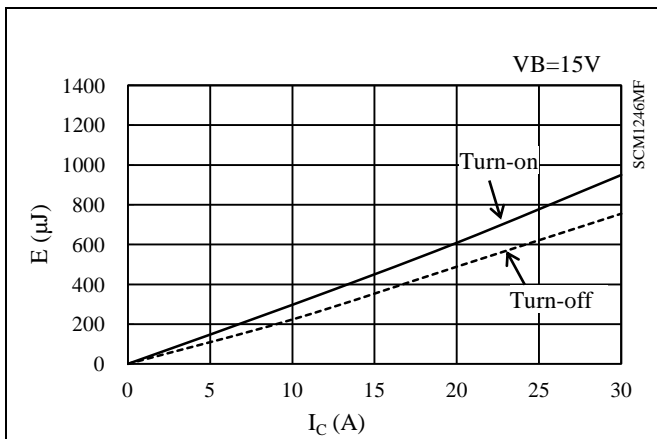


Figure 15-65. High-side switching loss (T<sub>j</sub> = 125°C)

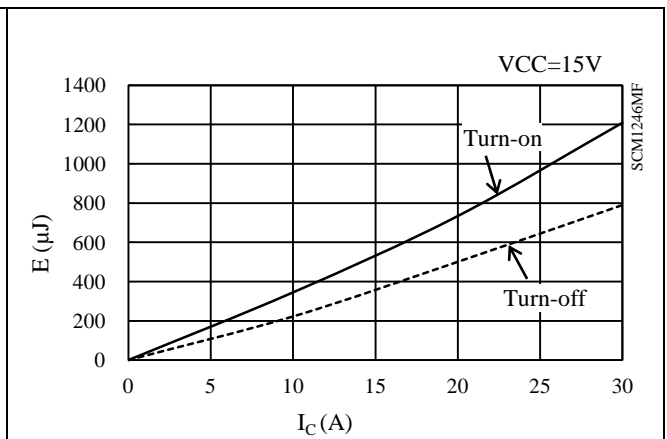


Figure 15-66. Low-side switching loss (T<sub>j</sub> = 125°C)

15.4. Allowable Effective Current Curves

The following curves represent allowable effective currents in sine-wave driving under a three-phase PWM system. All the values listed in this section, including  $V_{CE(SAT)}$  of output transistors and switching losses, are typical values.

Operating conditions: VBB pin input voltage ( $V_{DC}$ ) = 300 V, VCCx pin input voltage ( $V_{CC}$ ) = 15 V, modulation index ( $M$ ) = 0.9, motor power factor ( $\cos\theta$ ) = 0.8, junction temperature ( $T_j$ ) = 150°C.

15.4.1. SCM1261MF

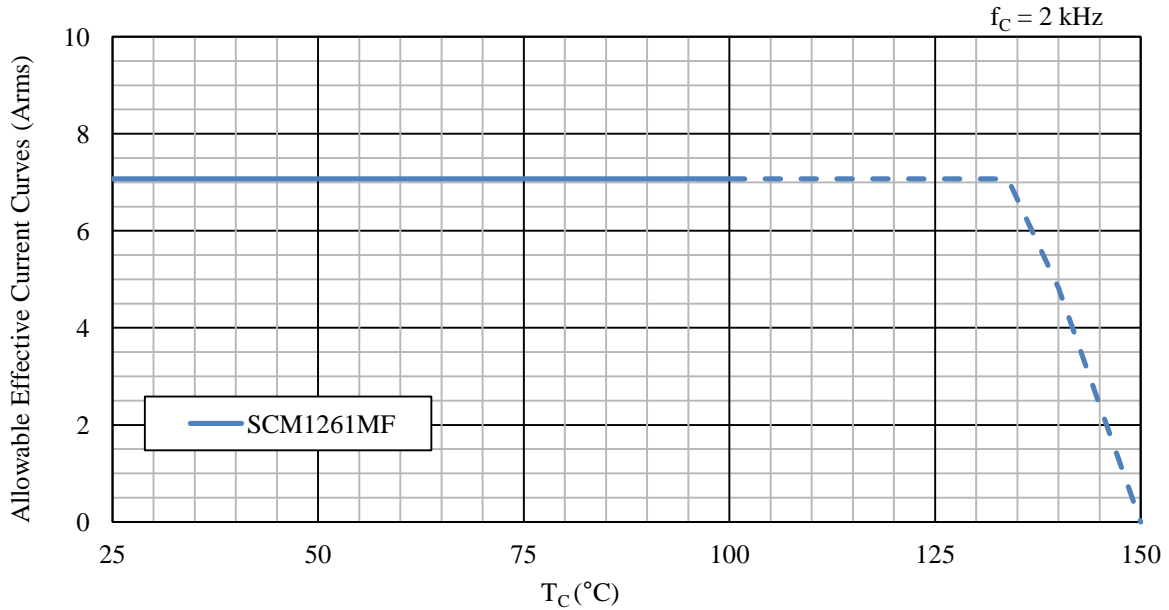


Figure 15-67. Allowable effective current, 10 A device ( $f_c = 2$  kHz)

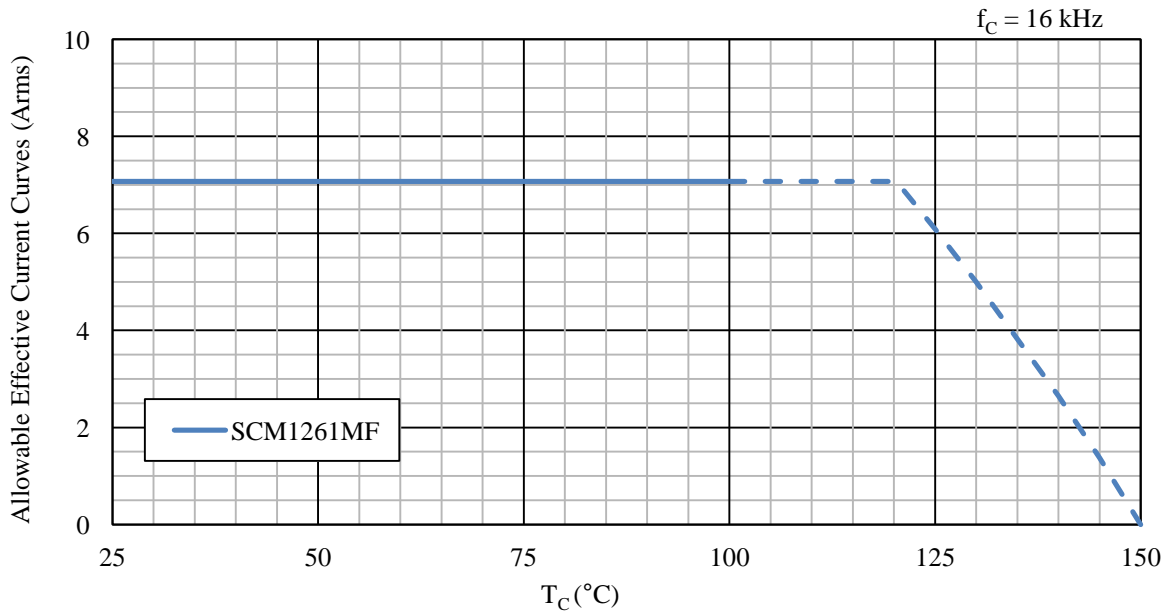


Figure 15-68. Allowable effective current, 10 A device ( $f_c = 16$  kHz)

15.4.2. SCM1242MF, SCM1263MF, SCM1243MF

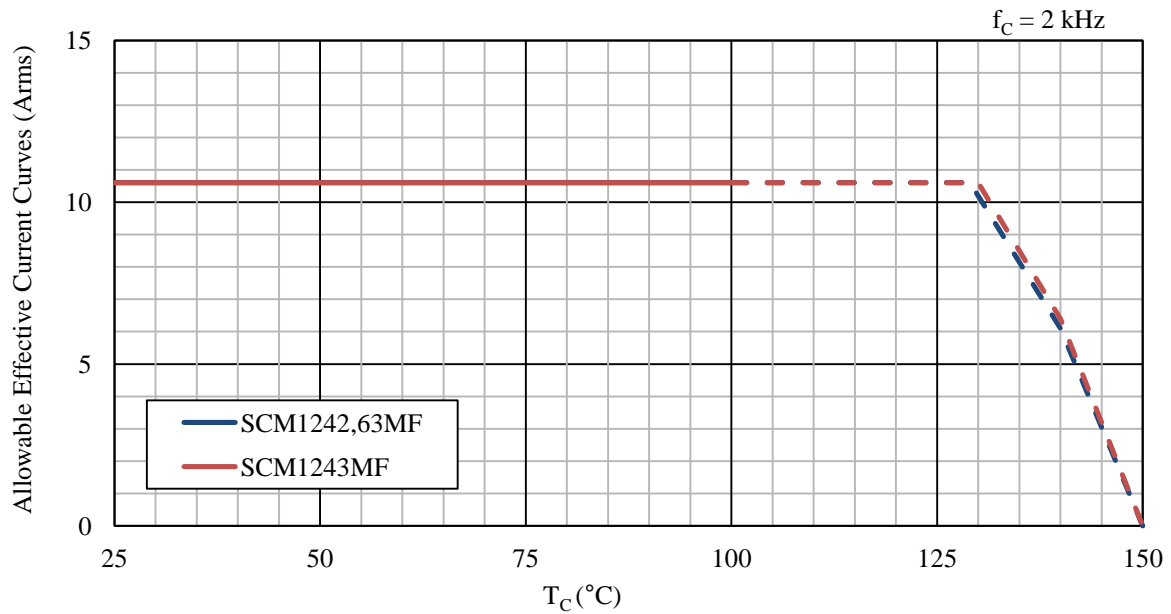


Figure 15-69. Allowable effective current, 15 A device ( $f_C = 2 \text{ kHz}$ )

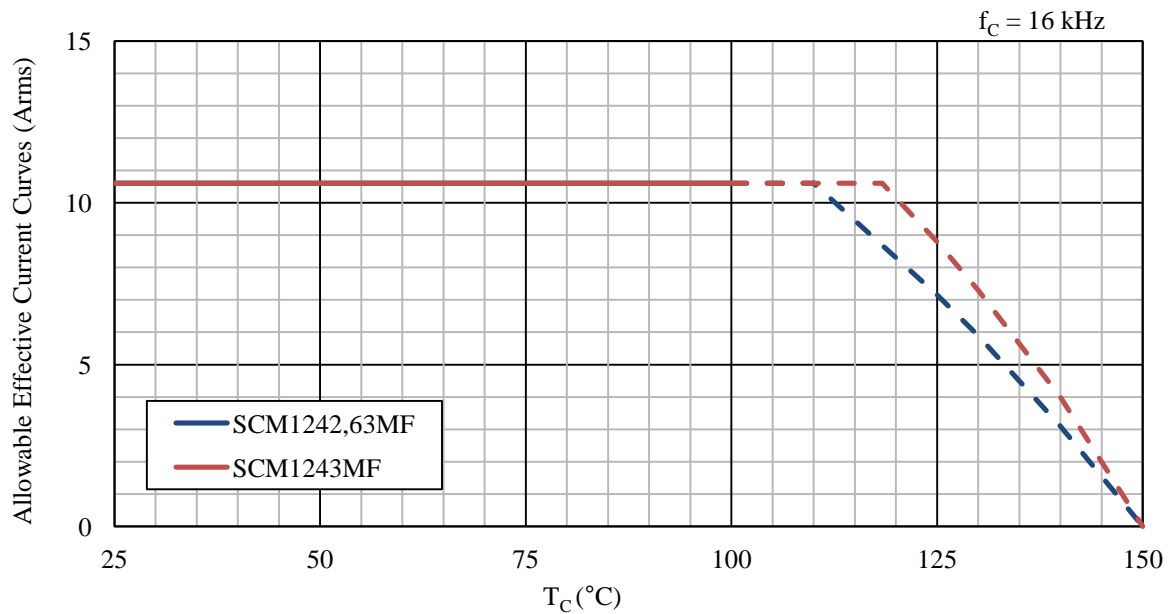


Figure 15-70. Allowable effective current, 15 A device ( $f_C = 16 \text{ kHz}$ )

15.4.3. SCM1265MF, SCM1245MF

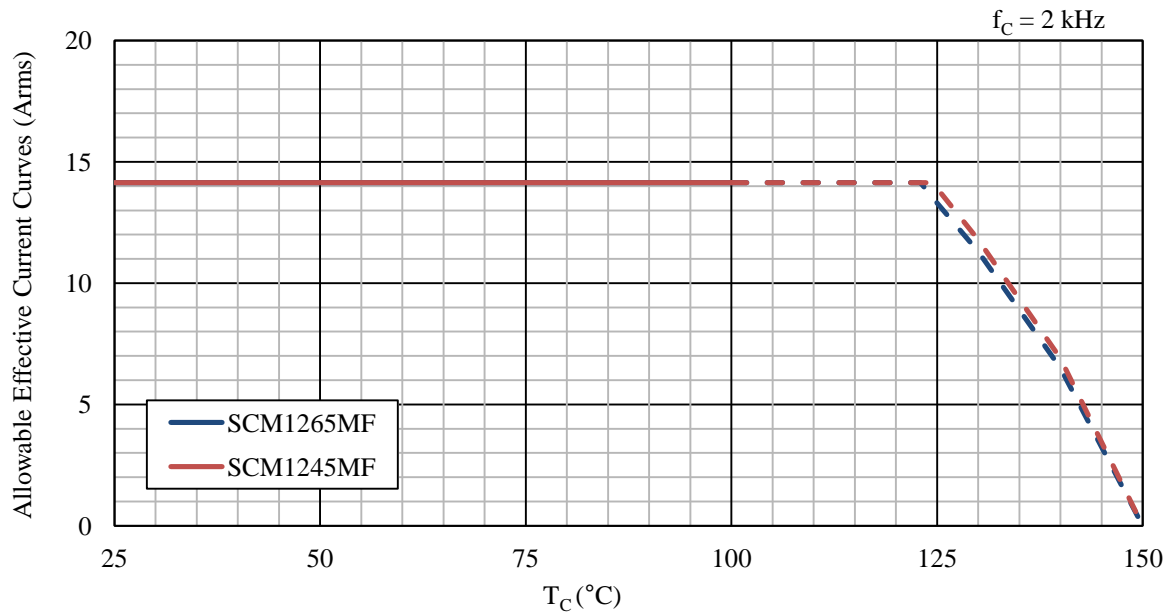


Figure 15-71. Allowable effective current, 20 A device (f<sub>C</sub> = 2 kHz)

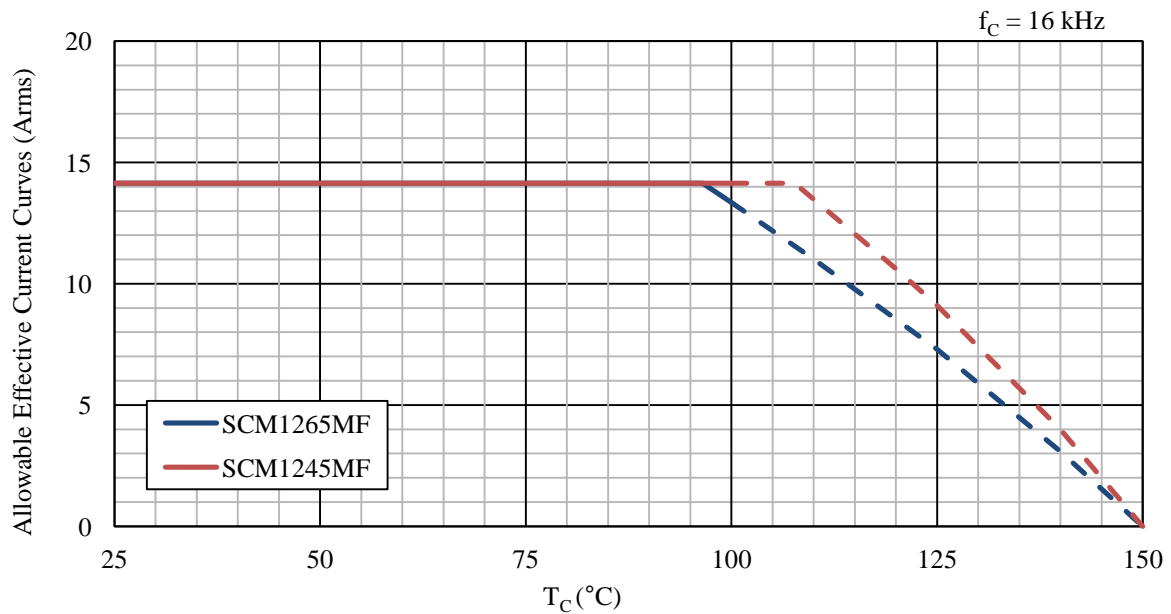


Figure 15-72. Allowable effective current, 20 A device (f<sub>C</sub> = 16 kHz)

15.4.4. SCM1256MF, SCM1246MF

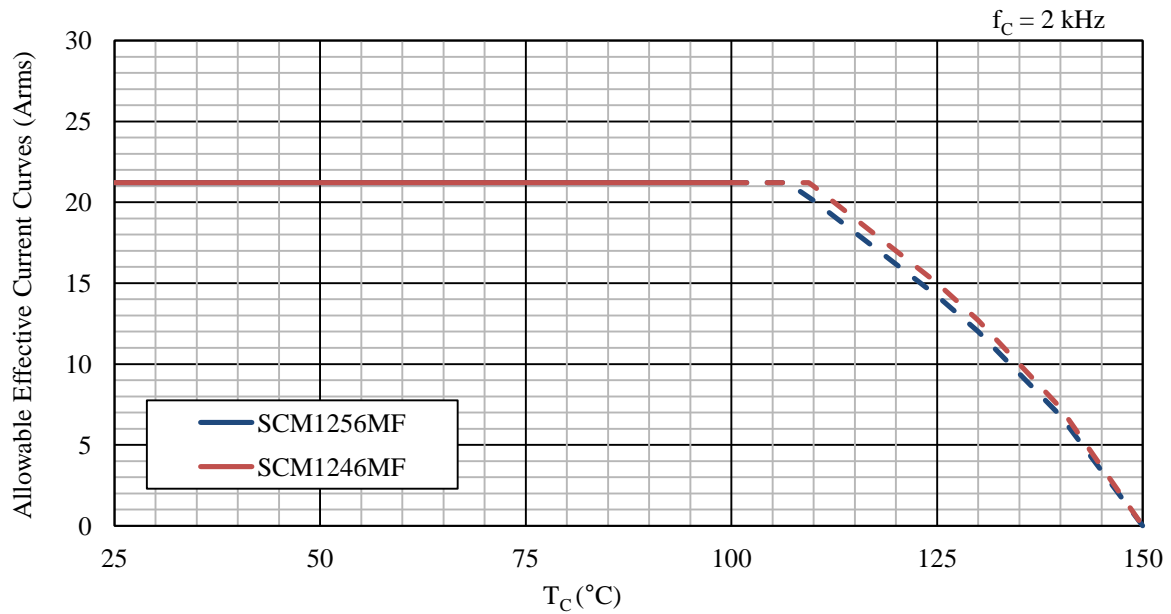


Figure 15-73. Allowable effective current, 30 A device ( $f_C = 2 \text{ kHz}$ )

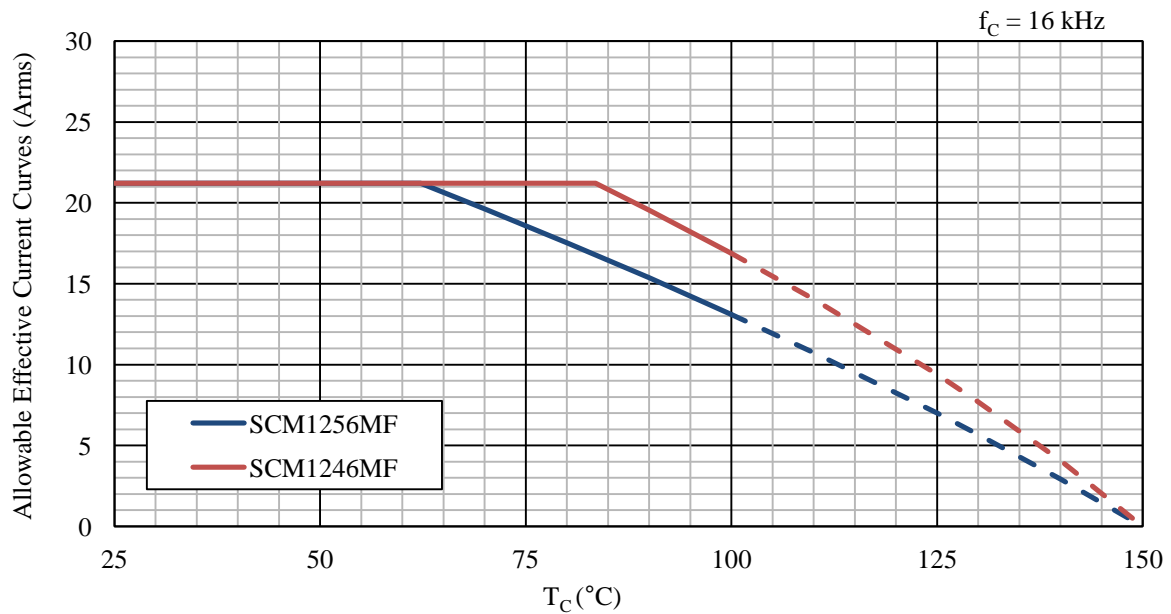


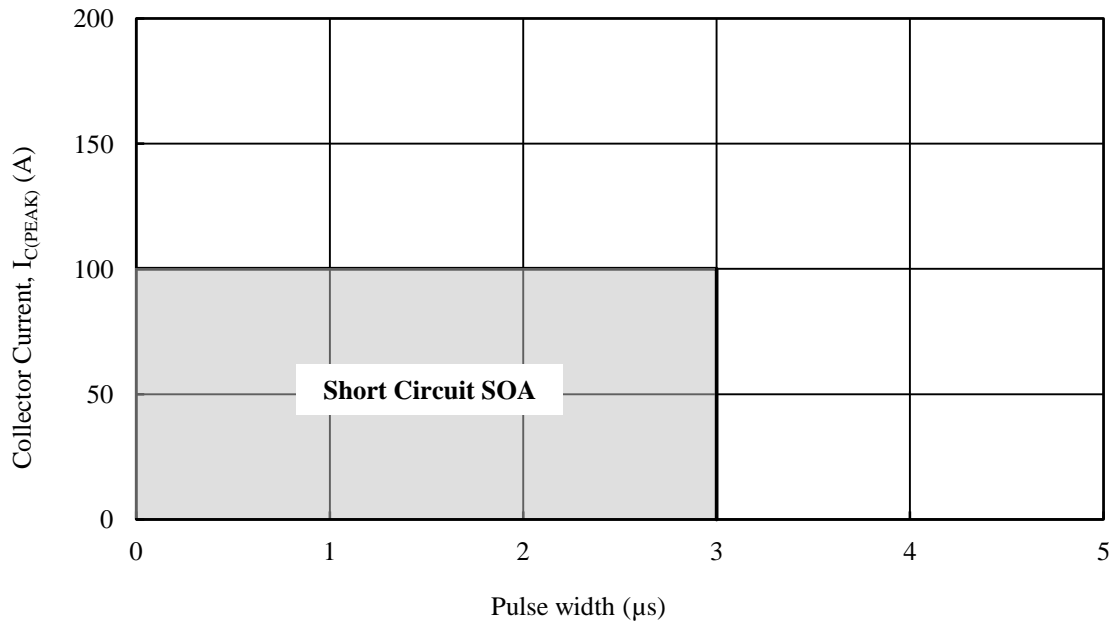
Figure 15-74. Allowable effective current, 30 A device ( $f_C = 16 \text{ kHz}$ )

## SCM1200MF Series

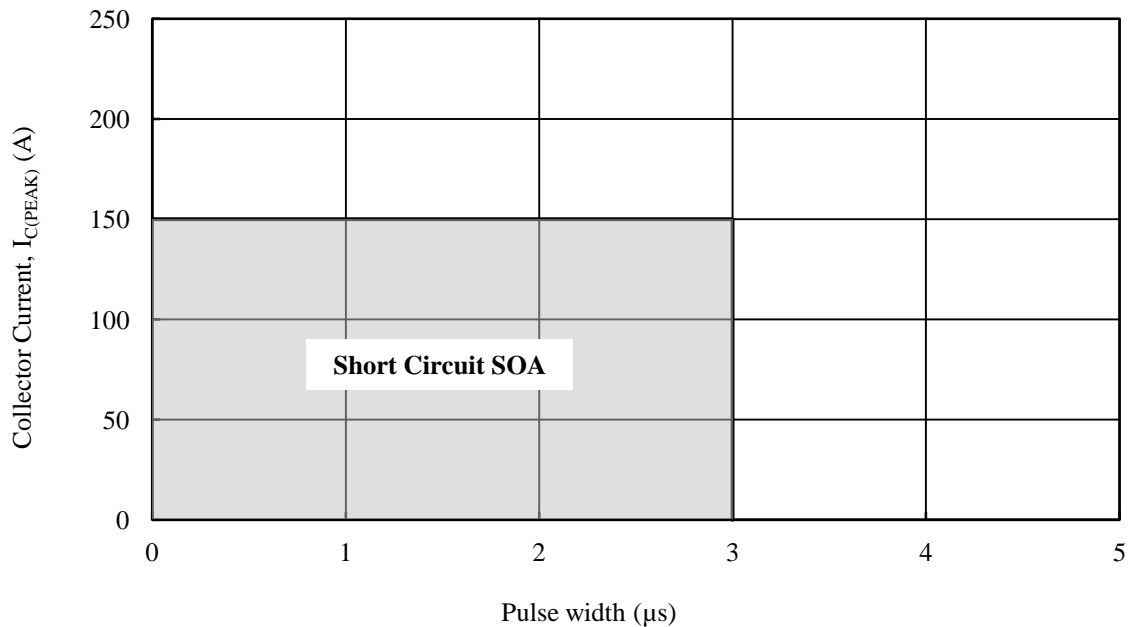
### 15.5. Short Circuit SOA (Safe Operating Area)

Conditions:  $V_{DC} \leq 400 \text{ V}$ ,  $13.5 \text{ V} \leq V_{CC} \leq 16.5 \text{ V}$ ,  $T_j = 125^\circ\text{C}$ , 1 pulse.

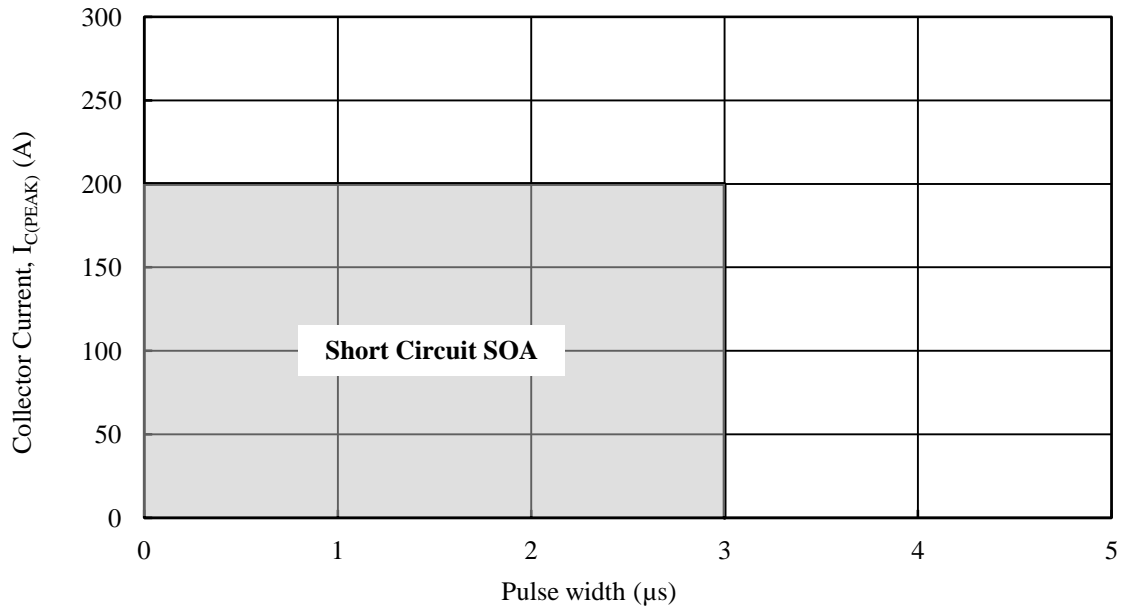
#### 15.5.1. SCM1261MF



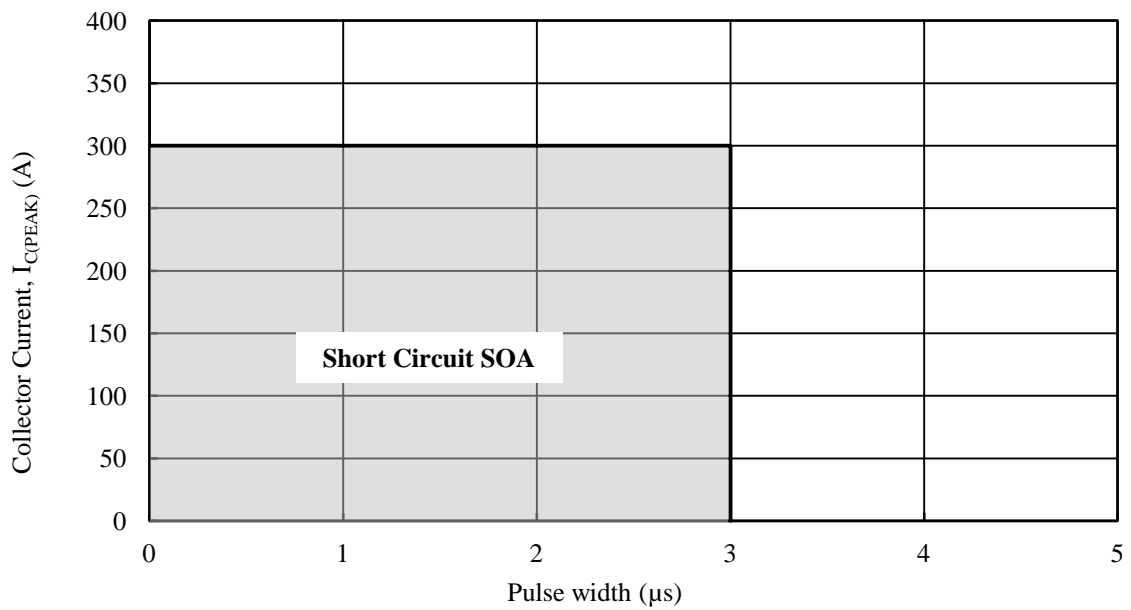
#### 15.5.2. SCM1242MF, SCM1263MF, SCM1243MF



15.5.3. SCM1265MF, SCM1245MF



15.5.4. SCM1256MF, SCM1246MF





### 16. Pattern Layout Example

The following show the schematic diagrams of a PCB pattern layout example using an SCM1200MF series device. For our recommended terminal hole size, see Section 10.4.

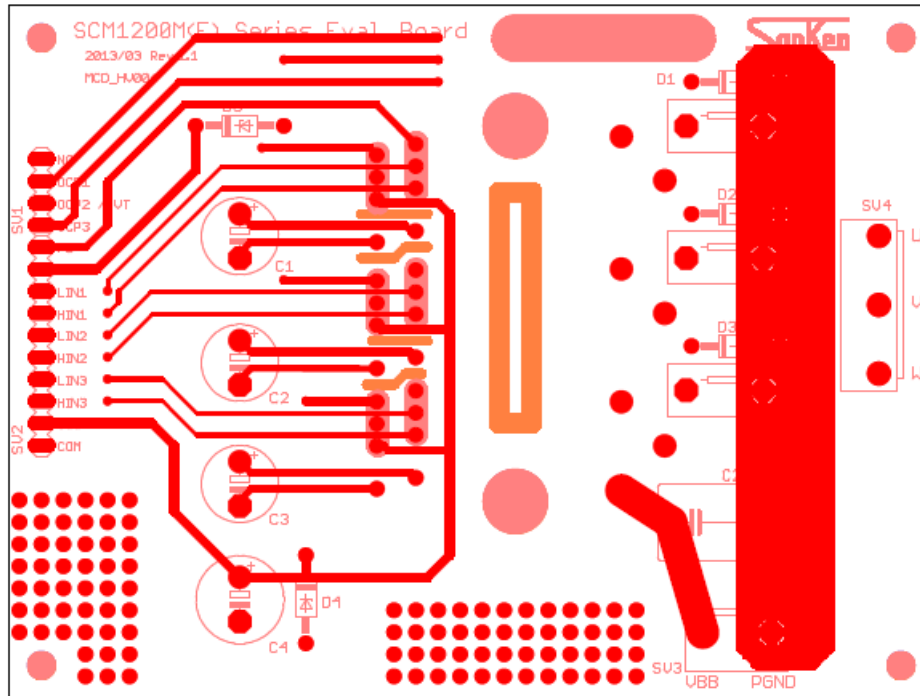


Figure 16-1. Top view

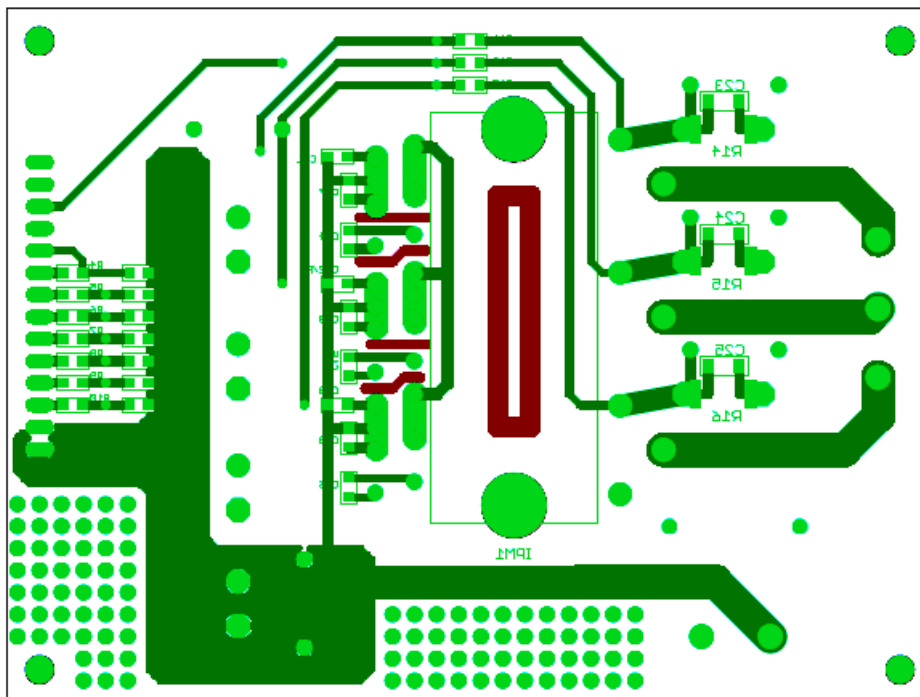


Figure 16-2. Bottom view

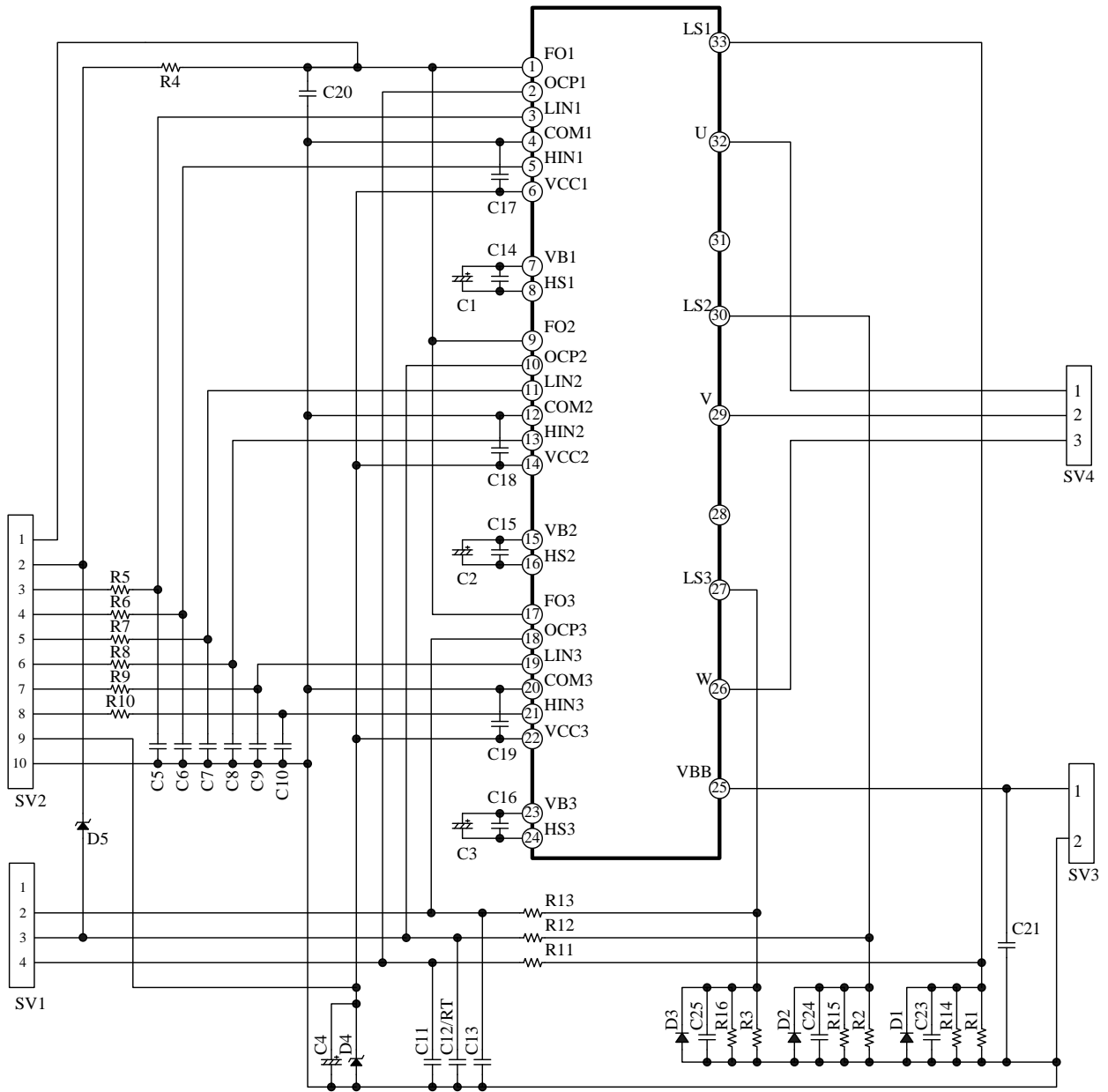


Figure16-3. Schematic circuit diagram of PCB pattern layout example

## SCM1200MF Series

### 17. Typical Motor Driver Application

This section contains information on the typical motor driver application listed in the previous section, including a circuit diagram, specifications, and the bill of the materials used.

- Motor driver specifications

IC	SCM1242MF
Main Supply Voltage, $V_{DC}$	300VDC (Typ.)
Output Power Rating	1.35 kW

- Circuit diagram

See Figure 16-3.

- Bill of materials

Symbol	Part type	Ratings	Symbol	Part type	Ratings
C1	Electrolytic	47 $\mu$ F, 50 V	R1*	Metal plate	27 m $\Omega$ , 2W
C2	Electrolytic	47 $\mu$ F, 50 V	R2*	Metal plate	27 m $\Omega$ , 2W
C3	Electrolytic	47 $\mu$ F, 50 V	R3*	Metal plate	27 m $\Omega$ , 2W
C4	Electrolytic	100 $\mu$ F, 50 V	R4	General	4.7 k $\Omega$ , 1/8W
C5	Ceramic	100 pF, 50 V	R5	General	100 $\Omega$ , 1/8W
C6	Ceramic	100 pF, 50 V	R6	General	100 $\Omega$ , 1/8W
C7	Ceramic	100 pF, 50 V	R7	General	100 $\Omega$ , 1/8W
C8	Ceramic	100 pF, 50 V	R8	General	100 $\Omega$ , 1/8W
C9	Ceramic	100 pF, 50 V	R9	General	100 $\Omega$ , 1/8W
C10	Ceramic	100 pF, 50 V	R10	General	100 $\Omega$ , 1/8W
C11	Ceramic	0.01 $\mu$ F, 50 V	R11	General	100 $\Omega$ , 1/8W
C12/RT	Ceramic	0.01 $\mu$ F, 50 V	R12	General	100 $\Omega$ , 1/8W
C13	Ceramic	0.01 $\mu$ F, 50 V	R13	General	100 $\Omega$ , 1/8W
C14	Ceramic	0.1 $\mu$ F, 50 V	R14*	General	Open
C15	Ceramic	0.1 $\mu$ F, 50 V	R15*	General	Open
C16	Ceramic	0.1 $\mu$ F, 50 V	R16*	General	Open
C17	Ceramic	0.1 $\mu$ F, 50 V	D1	General	1 A, 50 V
C18	Ceramic	0.1 $\mu$ F, 50 V	D2	General	1 A, 50 V
C19	Ceramic	0.1 $\mu$ F, 50 V	D3	General	1 A, 50 V
C20	Ceramic	0.01 $\mu$ F, 50 V	D4	Zener	$V_Z = 20$ V, 0.5 W
C21	Film	0.1 $\mu$ F, 630 V	D5	General	Open
C22*	Ceramic	0.1 $\mu$ F, 50 V	SV1	Pin header	Equiv. to MA04-1
C23*	Ceramic	0.1 $\mu$ F, 50 V	SV2	Pin header	Equiv. to MA10-1
C24*	Ceramic	0.1 $\mu$ F, 50 V	SV3	Connector	Equiv. to B2P3-VH
C25	Ceramic	Open	SV4	Connector	Equiv. to B3P5-VH
			IPM1	IC	SCM1242MF

\* Refers to a part that requires adjustment based on operation performance in an actual application.

### IMPORTANT NOTES

- All data, illustrations, graphs, tables and any other information included in this document as to Sanken's products listed herein (the "Sanken Products") are current as of the date this document is issued. All contents in this document are subject to any change without notice due to improvement, etc. Please make sure that the contents set forth in this document reflect the latest revisions before use.
- The Sanken Products are intended for use as components of general purpose electronic equipment or apparatus (such as home appliances, office equipment, telecommunication equipment, measuring equipment, etc.). Prior to use of the Sanken Products, please put your signature, or affix your name and seal, on the specification documents of the Sanken Products and return them to Sanken. If considering use of the Sanken Products for any applications that require higher reliability (transportation equipment and its control systems, traffic signal control systems or equipment, disaster/crime alarm systems, various safety devices, etc.), you must contact a Sanken sales representative to discuss the suitability of such use and put your signature, or affix your name and seal, on the specification documents of the Sanken Products and return them to Sanken, prior to the use of the Sanken Products. Any use of the Sanken Products without the prior written consent of Sanken in any applications where extremely high reliability is required (aerospace equipment, nuclear power control systems, life support systems, etc.) is strictly prohibited.
- In the event of using the Sanken Products by either (i) combining other products or materials therewith or (ii) physically, chemically or otherwise processing or treating the same, you must duly consider all possible risks that may result from all such uses in advance and proceed therewith at your own responsibility.
- Although Sanken is making efforts to enhance the quality and reliability of its products, it is impossible to completely avoid the occurrence of any failure or defect in semiconductor products at a certain rate. You must take, at your own responsibility, preventative measures including using a sufficient safety design and confirming safety of any equipment or systems in/for which the Sanken Products are used, upon due consideration of a failure occurrence rate or derating, etc., in order not to cause any human injury or death, fire accident or social harm which may result from any failure or malfunction of the Sanken Products. Please refer to the relevant specification documents and Sanken's official website in relation to derating.
- No anti-radioactive ray design has been adopted for the Sanken Products.
- No contents in this document can be transcribed or copied without Sanken's prior written consent.
- The circuit constant, operation examples, circuit examples, pattern layout examples, design examples, recommended examples and evaluation results based thereon, etc., described in this document are presented for the sole purpose of reference of use of the Sanken Products and Sanken assumes no responsibility whatsoever for any and all damages and losses that may be suffered by you, users or any third party, or any possible infringement of any and all property rights including intellectual property rights and any other rights of you, users or any third party, resulting from the foregoing.
- All technical information described in this document (the "Technical Information") is presented for the sole purpose of reference of use of the Sanken Products and no license, express, implied or otherwise, is granted hereby under any intellectual property rights or any other rights of Sanken.
- Unless otherwise agreed in writing between Sanken and you, Sanken makes no warranty of any kind, whether express or implied, as to the quality of the Sanken Products (including the merchantability, or fitness for a particular purpose or a special environment thereof), and any information contained in this document (including its accuracy, usefulness, or reliability).
- In the event of using the Sanken Products, you must use the same after carefully examining all applicable environmental laws and regulations that regulate the inclusion or use of any particular controlled substances, including, but not limited to, the EU RoHS Directive, so as to be in strict compliance with such applicable laws and regulations.
- You must not use the Sanken Products or the Technical Information for the purpose of any military applications or use, including but not limited to the development of weapons of mass destruction. In the event of exporting the Sanken Products or the Technical Information, or providing them for non-residents, you must comply with all applicable export control laws and regulations in each country including the U.S. Export Administration Regulations (EAR) and the Foreign Exchange and Foreign Trade Act of Japan, and follow the procedures required by such applicable laws and regulations.
- Sanken assumes no responsibility for any troubles, which may occur during the transportation of the Sanken Products including the falling thereof, out of Sanken's distribution network.
- Although Sanken has prepared this document with its due care to pursue the accuracy thereof, Sanken does not warrant that it is error free and Sanken assumes no liability whatsoever for any and all damages and losses which may be suffered by you resulting from any possible errors or omissions in connection with the contents included herein.
- Please refer to the relevant specification documents in relation to particular precautions when using the Sanken Products, and refer to our official website in relation to general instructions and directions for using the Sanken Products.