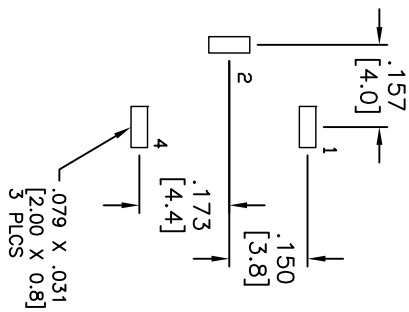
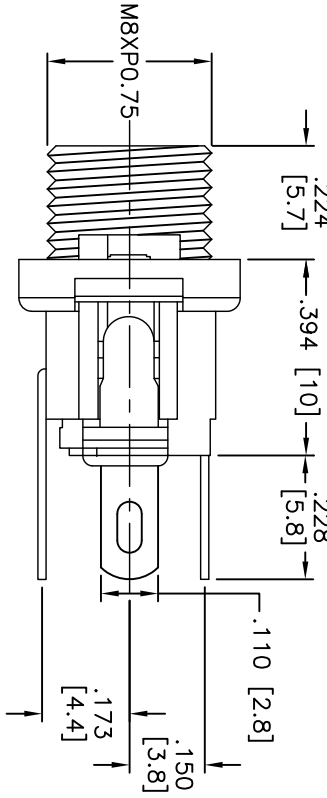
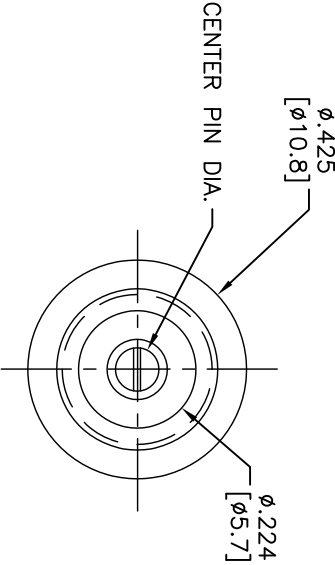
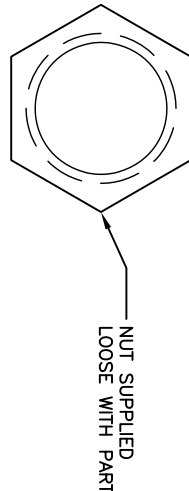
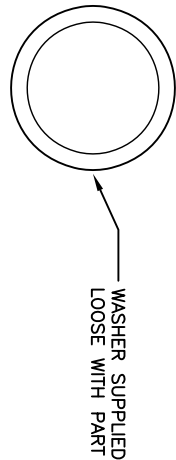
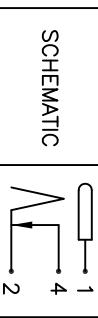


APPROVED: _____
 DATE: _____ TITLE: _____

Rev	AWO #	Description	Date	Appr
-		RELEASED	12/22/06	
A		RELEASED	01/04/07	
B		ADDED DIM.	1/08/10	



PART NO.	CENTER PIN DIA.
ADC-027-1-M8	2.0mm
ADC-027-2-M8	2.5mm
ADC-027-5-M8	2.35mm



SPECIFICATIONS:

Material:
 Insulator: PBT, Glass reinforced, rated UL 94V-0
 Insulator color: Black
 Center Pin: Brass, Nickel plated
 Contacts: Copper Alloy, Nickel plated
Electrical:
 Operating voltage: 30V DC max.
 Current rating: 3.0 Amp max.
 Contact resistance: 30 mohms max
 Insulation resistance: 100 Mohms min.
 Dielectric withstanding voltage: 500 VAC for 1 minute
Temperature Rating:
 Operating temperature: -25°C to +70°C
Environmental:
 Lead free, RoHS compliant.



UNLESS OTHERWISE SPECIFIED ALL DIMENSIONS ARE INCHES [MM]	
TOLERANCES: EXCEPT AS NOTED	
INCHES	HOLDS
.X ± .10	ØX ± .10
.XX ± .020	ØXX ± .015
.XXX ± .015	ØXXX ± .010
APPROVALS	DATE
DRAWN	BW
CHECKED	
APPROVED	

ADAM TECH
 909 Rahway Avenue, Union, NJ 07083
 Phone: 908-687-5000 Fax: 908-687-5710

TITLE: DC POWER JACK, VERTICAL, PANEL MOUNT, M8 THD BUSHING

SIZE: X PART NO.: ADC-027-X-M8

REF: S0002C SCALE: NTS SHEET 1 OF 1