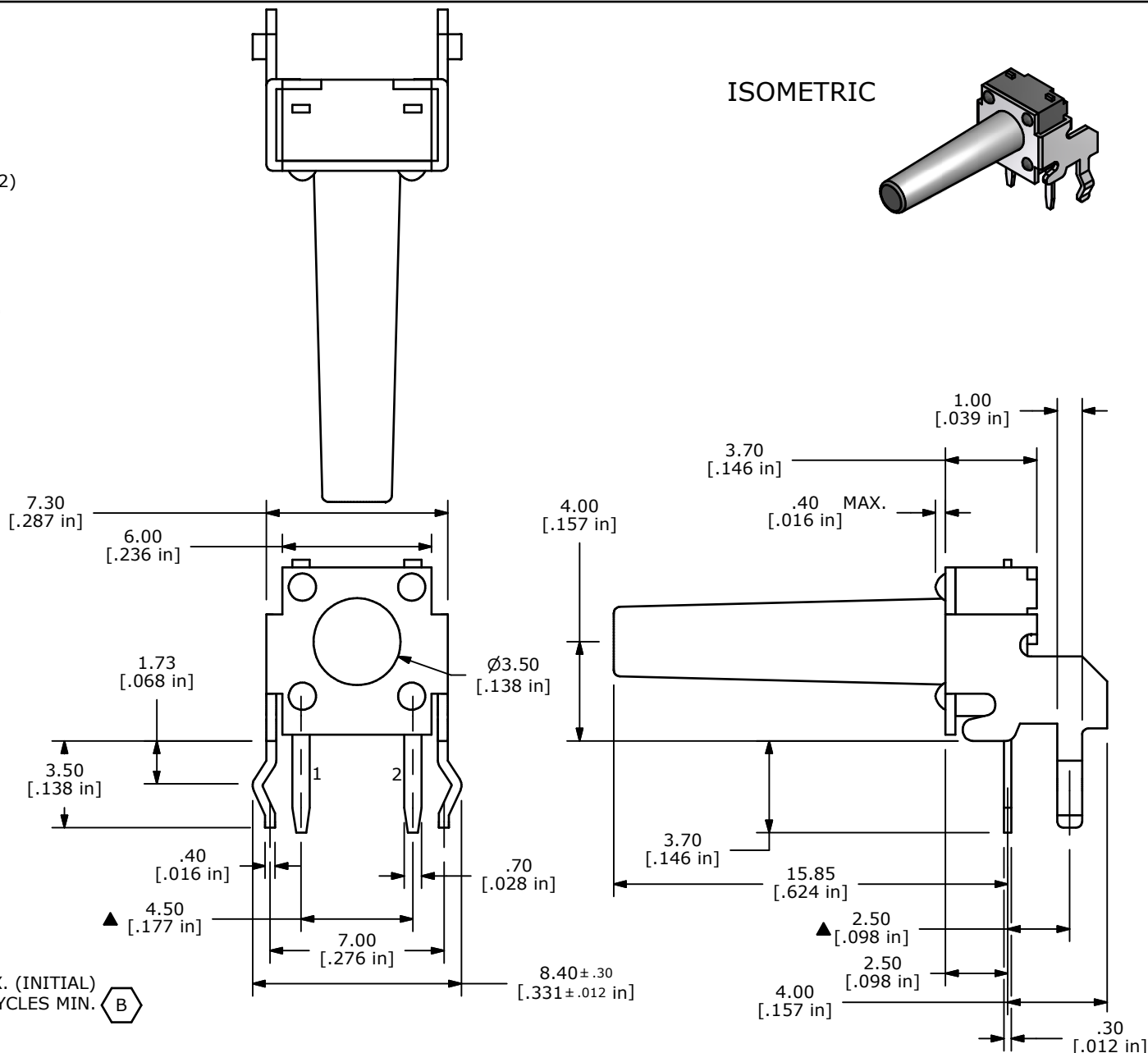
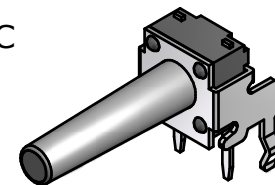


- NOTES:
1. ALL DIMENSIONS IN MM
  2. GENERAL TOLERANCE: X.X=±0.4  
X.XX=±0.25
  3. TERM. NOS. FOR REFERENCE ONLY.
  4. RATING: 12VDC, 50mA
  - ▲ 5. OPERATING FORCE: 65 ± 20gf (B)
  6. TRAVEL: 0.25 +0.2/-0.1 mm
  7. CONTACT RESISTANCE: 50 MILLI OHMS MAX. (INITIAL)
  8. MECHANICAL/ELECTRICAL LIFE 5,000,000 CYCLES MIN. (B)
  - ▲ 9. CONTACT MATERIAL: SILVER
  10. ▲ DENOTES CRITICAL PARAMETER
  11. 2002/95/EC (ROHS) COMPLIANT
  12. PACKAGING: 750 PIECES/POLY BAG (B)



ISOMETRIC



 <b>E-SWITCH®</b>				
TITLE LL1105QF065Q				
SCALE	DATE	DR	DWG	REV
4:1	12/17/2009	BLR	P010252	B

B	20957	CORRECT FORCE, LIFE AND PACKAGING	1/8/13	EBP
A	18729	RELEASED FOR PRODUCTION	12/17/09	BLR
REV	PCR NO	DESCRIPTION	DATE	BY
<small>THE INFORMATION CONTAINED IN THIS DOCUMENT IS PROPRIETARY TO E-SWITCH AND IS NOT TO BE COPIED OR TRANSFERRED</small>				